

Bus Chassis Products 2010 / 2011

Contents	Page Number
• Company Information	2 - 3
• Product Application Guides	
Radiators	4 - 7
Charge Air Coolers	8 - 9
Fuel / Oil Tanks	10 - 13
Oil Coolers	14 - 15
• Product Drawings	
Radiators	16 - 38
Charge Air Coolers	39 - 51
Fuel / Oil Tanks	52 - 70
Oil Coolers	71 - 83
• Part Number Index	84 - 85

Model	Year	OE Ref	Part Number	Comments	Drawing Number
DAF / VDL					
DAF DB 250 Double Deck - Insert			CP-1014-017	Fast Fit Cassette Unit, Located Offside Rear Intercooled (IU3DF020)	1001
DAF DB 250 Double Deck - Insert			RR3DF250	Fast Fit Cassette Unit, Located Offside Rear Intercooled (IU3DF020)	1002
DAF DB 250 Double Deck - Insert		RR3DF251	RR3DF251	Fast Fit Cassette Unit, Located Offside Rear Intercooled (IU3DF020)	1003
DAF DB250 Double Deck, Spectra		1238820, 0076449R	RR3DF020	Original Version, Located Offside Rear Intercooled (IU3DF020)	1004
DAF SB220 GS (Euro 2) Single Deck		1198160	RR3DF030	Original Version, Located Nearside Rear Intercooled (IU3DF030)	1005
DAF SB 220 GS (Euro 2) Single Deck, Fixed Intercooler		RR3DF220	RR3DF220	Fast Fit Cassette Unit, Located Offside Rear Intercooled (IU3DF030)	1006
DAF SB 220 GS (Euro 2) Single Deck, Fixed Intercooler		RR3DF221	RR3DF221	Fast Fit Cassette Insert, Located Nearside Rear Insert for RR3DF220, Intercooled (IU3DF030)	1007
DAF SB 220 (Euro 2) Single Deck, Swing Open Intercooler		RR3DF222	RR3DF222	Fast Fit Cassette Unit, Located Nearside Rear Intercooled (IU3DF030)	1008
DAF SB 220 GS (Euro 2) Single Deck, Swing Open Intercooler		RR3DF223	RR3DF223	Fast Fit Cassette Insert, Located Nearside Rear Insert for RR3DF222, Intercooled (IU3DF030)	1009
DAF SB3000 Coach (Supplied without sides)		1143087	RR3DF007	Original Version, Located Nearside Rear Intercooled	1010
BOVA Futura Euro 3 (Supplied without sides)			RR3DF007	Original Version, Located Nearside Rear Intercooled	1011
DAF SB 120 Single Deck		1142966	RR3DF022	Original Version, Located Offside Rear Intercooled - REMANUFACTURED	1012
DAF SB120		1147640	RR-1030-000		1013
DAF SB200		1147655	RR-1058-000		1014
DAF SB4000			RR-1076-000		1015
BOVA Futura			RR-1076-000		1016
Dennis / ADL					
Dart Mk1 Single Deck, Belt Driven Fan		410872, 414511	RR3DN200	Fast Fit Cassette Unit, Located Offside Rear Non Intercooled	1017
Dart Mk1 Single Deck, Belt Driven Fan		RR3DN201, 410872-C	RR3DN201	Fast Fit Cassette Insert, Located Offside Rear Insert for RR3DN200, Non Intercooled	1018
Dart (Euro 1) Single Deck, Hydraulic Fan Drive		412886, 416013	RR3DN020	Original Version Located Offside Rear, Non Intercooled	1019
Dart (Euro 2) Single Deck		420029-1	RR3DN025	Original Version Located Offside Rear, Non Intercooled	1020
Dart SLF (Euro 2) Single Deck	Upto 99	418282/1	RR3DN026	Original Version, Located Offside Rear Fast Fit Option RR3DN250/1, Intercooled	1021
Dart SLF (Euro 2) Single Deck	99 on	ZQ40000	RR3DN250/1	Fast Fit Cassette Unit, Located Offside Rear Intercooled (IU3DN026-R)	1022
Dart SLF (Euro 2) Single Deck	99 on	658815	RR3DN251/1	Fast Fit Cassette Insert, Located Offside Rear Insert for RR3DN250/1, Intercooled	1023
Dart SLF (Euro 3) - ISBe Single Deck, 4 cyl : Upto 170 HP	2002 on	430470/1	RR-1026-900	Fast Fit Cassette Insert, Located Offside Rear Intercooled (IU3DN353/1)	1024
Dart SLF (Euro 3) - ISBe Single Deck, 6 cyl : 180 HP - 220 HP	2002 on	429814, 428857	RR-1027-900	Fast Fit Cassette Insert, Located Offside Rear Intercooled (IU3DN352)	1025

Model	Year	OE Ref	Part Number	Comments	Drawing Number
E200	2006 >		RR-1006-000	4 Cylinder, Located Offside Rear, Copper Brass	1026
E200			RR-1012-000	6 Cylinder, Located Offside Rear, Copper Brass	1027
E200			RR-1049-000	4 Cylinder, Located Offside Rear, Aluminium	1028
E200			RR-1050-000	6 Cylinder, Located Offside Rear, Aluminium	1029
E300	2001-2007		RR-1027-900	6 Cylinder, Located Offside Rear	1030
E300	2007 >		RR-1050-000	6 Cylinder, Located Offside Rear	1031
E400	2006>		RR3DN502/1	Located Nearside Rear	1032
Javelin - Cummins Eng Single Deck		419579	RR3DN022	Original Version, Located Nearside Centre Intercooled (IU3DN012)	1033
Javelin (Euro 3 / 4 / 5) Single Deck			RR3DN102/1	Fast Fit Cassette Insert, Located Nearside Intercooled (IU3DN100)	1034
Lance - Upto 245 HP Single Deck	Upto 99	415083, 416255	RR3DN016	Original Version, Located Offside Rear Intercooled (IU3DN001)	1035
Lance - Upto 245 HP Single Deck	Upto 99	RR3DN300, 415083, 416255	RR3DN301	Fast Fit Cassette Insert, Located Offside Rear Insert for RR3DN300, Intercooled (IU3DN001)	1036
R Series coach (Euro 2/3) Single Deck, M11 404HP / ISM 420HP			RR3DN800/1	Fast Fit Cassette Insert Intercooled (IU3DN800)	1037
Trident 2 Mk1 (Euro 2) Double Deck, C series upto 245 HP	98 - 99	427381	RR3DN502/1	Fast Fit Cassette Insert, Located Nearside Rear Intercooled (IU3DN500/1)	1038
Trident 2 Mk2 (Euro 3) Double Deck, C series upto 245 HP	99 on		RR3DN502/1	Fast Fit Cassette Insert, Located Nearside Rear Euro 3 Intercooler IU3DN501/1	1039
Leyland					
Lynx 2 / Olympian Double Deck Olympian, Single Deck		RD80, 8112677-3	RR3LB004	Original Version, Located At Front Non Intercooled	1040
Olympian 2 Double Deck, 4 Row Split Tanks			RR3LB004/3	Original Version, Located At Front Non Intercooled	1041
Tiger / Olympian / Lynx / National 2 Single Deck Tiger-Lynx National Double Deck Olympian		RD77, RD79 NLK5447 NRK5616	RR3LB003	Original Version, Located At Front Non Intercooled	1042
MAN					
Vectra Single Deck		8106.1016.394	RR3MN001	Original Version, Located Nearside Rear, Intercooled	1043
18:220 Bus / Coach Single/Double Deck			RR3MN002	Original Version, Located Nearside Rear Intercooled (IU3MN001)	1044
18:220 Euro 4		8106 101 6514	RR-1080-000		1045
14:220LF Bus		81061016443 / 85061016006	RR-1074-000		1046
E400 MAN			RR-1093-000		1047
11.220		8106.016.403	RR-2140-000		1048
E400			RR-2170-000		1049
18.220		8106.101.6527	RR-2518-000		1050

Model	Year	OE Ref	Part Number	Comments	Drawing Number
Mercedes					
0405 Radiator (Euro 1 / 2) Single Deck		357.501.1301 / 2201	RR3ME002	Original Version, Located Offside Rear Intercooled	1051
609/709/811 Radiator Manual Version, Single Deck Mini Bus		668.0000.2017 668.5000.3017 668.5000.701	RR7ME010	Copper Brass Version, Located At Front Non Intercooled	1052
Vario Single Deck Mini Bus		668.5000.102	RR7ME011	Original Version, Located At Front Intercooled (IU7ME002)	1053
Citaro Euro 3 Insert			RR-1044-000		1050
Neoplan					
Skyliner			RR-1059-000		1055
Optare					
Excel Euro 2 Single Deck, Mercedes Engine			GK-2582-000	Aluminium Fast Fit Cassette Insert, Located Offside Rear, Intercooled (IU3OP020/1) SUPERSEDED RR3OP020/1	1056
Excel - Euro 2 Single Deck, Cummins Engine			RR3OP003	Original Unit, Located Offside Rear Intercooled (IU3OP001)	1057
Metrorider Single Deck Mini Bus		X3404206	RR3OP002	Original Unit, Located Offside Rear Intercooled (IU3OP010)	1058
Solo Insert Cummins Engine Euro 3		R34000203	RR3OP121		1059
Solo Insert Euro 2/3 SV Euro 4 Single Deck Mini Bus, Mercedes		R3400049	RR3OP005	Fast Fit Cassette Insert, Located Offside Rear Intercooled (IU3OP005)	1060
Solo - MAN/Merc/Cummins Euro 4			RR-1022-000		1061
Tempo Euro 4			RR-1024-000		1062
Tempo Euro 3			RR-1009-000	435mm - Chassis 20>	1063
Tempo			RR3OP400	500mm Wide > Chassis 20	1064
Versa - MAN / Merc / Cummins			RR-1022-000		1065
Scania					
Scania L94/N94 Single Deck		057043, 457035	RR3SC007	Original Version, Located Nearside Rear Intercooled (IU3SC007)	1066
Scania L113 Single Deck		461905	RR3SC010	Original Version, Located Offside Rear Intercooled (IU3SC003)	1067
Scania N113 Single/Double Deck		438295	RR3SC002/50	Original Version, Located Offside Centre Non Intercooled	1068
Omnidekka			RR-2171-000	RE-CORE ONLY	1069
Omicity		1798689	RR-2487-000	RE-CORE ONLY	1070
Enviro 400			RR-2170-000	RE-CORE ONLY	1071
Setra					
Kassboher			RR-1081-000	RE-CORE ONLY	1072

Model	Year	OE Ref	Part Number	Comments	Drawing Number
Wrightbus					
Wrightbus ISBe4 185HP			RR-2082-000	Radiator Insert	1073
Volvo					
B10B / B10L / B10M MK4 Single Cooling Pack with Mild Steel Frames			CP3VL013/1	Original Version, Located Offside & Nearside Water Cooled	1074
B10B / B10L / B10M MK4 Single Cooling Pack with Stainless Steel			CP3VL013/2	Original Version, Located Offside & Nearside Water Cooled	1075
B10B / B10L / B10M MK4 Single Cooling Pack with Metal Fan Cowl & Stainless Steel Frames			CP3VL013/3	Original Version, Located Offside & Nearside Water Cooled	1076
B10B / B10L / B10M MK4 Single Cooling Pack with Fan Cowl & Mild Steel Frames			CP3VL013/4	Original Version, Located Offside & Nearside Water Cooled	1077
B10BLE Single Deck Cooling Pack with Mild Steel Frames & Plastic Fan Cowl			CP3VL013/5	Original Version, Located Offside & Nearside Water Cooled	1078
B6R / B6LE Single Deck		8112822	RR3VL006	Original Version, Located Nearside Rear Intercooled (IU3VL006)	1079
B6R / B6LE Single Deck			RR3VL600	Fast Fit Cassette Unit, Located Nearside Rear Intercooled (IU3VL006)	1080
B6R / B6LE Single Deck, Insert for RR3VL600			RR3VL602	Fast Fit Cassette Insert, Located Nearside Rear Intercooled (IU3VL006)	1081
B7 TL / B10B LE / B9, Single/Double B12M Located Nearside Centre		8113478, 85000167	RR-1046-010	Copper Brass Version, Located Offside Rear Intercooled	1082
B10B / LE / B10L / B10M Mk4 Outer Water Radiator		8112577	GK-2642-000	Aluminium Version, Located Offside Rear B10M Located Nearside Centre, Water Cooled SUPERSEDED IU3VL014	1083
B10B / LE / B10L / B10M Mk4 Single Deck, Inner Water Radiator		3034564, 85000167	GK-2641-000	Aluminium Version, Located Offside Rear Water Cooled SUPERSEDED RR3VL014	1084
B10B / LE / B10L / B10M Mk4 Outer Water Radiator, Mild Steel		8112577	IU3VL013/1	Original Version, Located Offside / Nearside Water Cooled	1085
B10B / B10L Single Deck Outer Water Radiator, Stainless Steel		8112577	IU3VL013/2	Original Version, Located Offside / Nearside Water Cooled	1085
B10B / LE / B10M Mk4 Single Deck Inner Water Radiator, Mild Steel		8112576, 8113478, 9516541	RR3VL013/1	Original Version, Located Offside/Nearside Water Cooled	1086
B10B / LE / B10M Mk4 Single Deck Inner Water Radiator, Stainless Steel		8112576, 8113478, 9516541	RR3VL013/2	Original Version, Located Offside/Nearside Water Cooled	1086
B10M Mk3 / Olympian Single Deck/Double Deck Outer Water		5003393, 85000037	IU3VL001	Original Version, Located at Front, Outer Radiator, Water Cooled Fits With RR3LB004	1087
B10M - Mk3 Intercooled Single Deck		3028701, 9517543, 8112681	RR3VL010/2	Original Version, Located at Front Intercooled (IU3VL001)	1088
City Bus Radiator D10M Double Deck		3018818, 9518422, 811- 2786	RR3VL011	Original Version, Located at Front Non Intercooled	1089
Olympian Double Deck			RR3LB004	Original Version, Located at Front, Inner Radiator, Water Cooled Fits With IU3VL001	1090
B7R Single Deck		8112265	RR-1023-000	Original Version, Located Nearside Rear, Intercooled	1091
B7TL			RR-1069-000	Cassette 2 Radiator	1092
B7TL			RR-1069-027	Cassette 2 Insert Radiator	1093

Model	Year	OE Ref	Part Number	Comments	Drawing Number
DAF / VDL					
DB250 Double Deck Spectra		1197193	IU3DF020	Original Version, Located Offside Rear Fits with RR3DF020	2001
SB 220 GS Single Deck		1198161	IU3DF030	Original Version, Located Nearside Rear Fits with RR3DF030	2002
SB3000			AC-2180-000	RE-CORE ONLY	2003
SB4000			AC-2181-000	RE-CORE ONLY	2004
SB 200			AC-2182-000	RE-CORE ONLY	2005
SB 120			AC-1078-000	RE-CORE ONLY	2006
Dennis / ADL					
Dart Euro 3 Single Deck 6 cyl			IU3DN352/1	Original Version, Located Offside Rear Fits with GK-2581-000 / RR-1026-900	2007
Dart Euro 3 Single Deck 4 cyl		430470-2	IU3DN353/1	Original Version, Located Offside Rear Fits with GK-2581-000 / RR-1027-900	2008
Dart SLF Single Deck		655939, 427008	IU3DN026	Original Version, Located Offside Rear Fits with RR3DN250/1 or RR3DN026	2009
Javelin Single Deck			IU3DN012	Original Specification, Located Nearside Rear Fits with RR3DN022	2010
Javelin Euro 3 / 4			IU3DN100		2011
Lance Single Deck		415085	IU3DN001	Original Version, Located Offside Rear Fits with RR3DN016 or RR3DN301	2012
Trident 2 (Euro 2) Double Deck		426717, 425472-2	IU3DN500/1	Original Version, Located Nearside Rear Fits with RR3DN500/1	2013
Trident 2 (Euro 3) Double Deck		430554	IU3DN501/1	Original Version, Located Nearside Rear Fits with RR3DN501/1	2014
Enviro 200 - 4 Cylinder			AC-1040-000	Fits with RR-1006-000 / RR-1049-000	2015
Enviro 200 - 6 Cylinder			AC-1044-000	Fits with RR-1012-000 / RR-1050-000	2016
Enviro 300	2001-2007		IU3DN352/1		2017
Enviro 400			IU3DN501/1		2018
Enviro 300 2008 >	2008		AC-1044-000		2019
Enviro 500 Euro 3/4			AC-1007-000		2020
MAN					
18.220		81.06130.0186	IU3MN001	Original Version, Located Nearside Rear Fits with RR3MN002	2021
14.220			AC-2183-000		2022
E400 MAN			AC-2187-000		2023
Mercedes					
0405			AC-1045-000	RE-CORE ONLY	2024
Citaro - Euro 3			AC-1061-000	RE-CORE ONLY	2025

Model	Year	OE Ref	Part Number	Comments	Drawing Number
Vario Single Deck Mini Bus		6685000300	IU7ME002	Original Version, Located At Front Fits with RR7ME011	2026
Neoplan					
Skyliner			AC-1079-000	RE-CORE ONLY	2027
Optare					
Excel - Mercedes Engine Single Deck			IU3OP020/1	Original Version, Located Offside Rear Fits with RR3OP020/1	2028
Excel - Cummins Single Deck			IU3OP001	Original Version, Located Offside Rear Fits with RR3OP003 RE-CORE ONLY	2029
Solo Euro 2/3 SE Euro 4 Single Deck Mini Bus		R3400047	IU3OP005	Original Version, Located Offside Rear Fits with RR3OP005	2030
Solo Euro 4 MAN/Merc Engine Single Deck			AC-1048-000	Original Version	2031
Solo Euro 4 Cummins Engine Single Deck			AC-1049-000	Original Version	2032
Solo - Euro 3 Cummins Engine			IU3OP120	Cummins Euro 3 CAC, Original Version	2033
Tempo Euro 3 1st 20 Vehicles			AC-1023-000	Original Version	2034
Tempo Euro 3 Vehicle 20 onwards			AC-1043-000	Original Version	2035
Tempo Euro 4			AC-1055-000	Original Version	2036
Versa Euro 4 MAN / Merc Engine Single Deck			AC-1048-000	Original Version	2037
Versa Euro 4 Cummins Engine Single Deck			AC-1049-000	Original Version	2038
Scania					
L94/N94		570483	IU3SC007	Original Version, Located Nearside Rear Fits with RR3SC007	2039
L113		570471	IU3SC003	Original Version, Located Offside Rear Fits with RR3SC010	2040
Omnicity			AC-2184-000	RE-CORE ONLY	2041
Omnidekka			AC-2185-000	RE-CORE ONLY	2042
E400			AC-2186-000	RE-CORE ONLY	2043
3 Series P / R		352304, 524305	AC-5029-000	SUPERSEDED IU2SC001	2044
Volvo					
B6R/B6LE		811-2812, 3039294	IU3VL006	Original Version, Located Nearside Rear Fits with RR3VL006	2045
B7TL		8113576	AC-1038-000	Original Version, Located Offside Rear Fits with RR3VL015	2046
B7R			AC-1052-000		2047
B7 RLE			AC-1062-000	RE-CORE ONLY	2048
B9L/R B12B/M			AC-2982-000		2049

Model	Year	OE Ref	Part Number	Comments	Drawing Number
DAF/VDL					
SB120/200		1144670/71 / 1141726	FT-1021-000		3001
SB120/200		1144691 / 1145501	FT-1022-000		3002
SB3000			FT-1025-000		3003
DB250			FT-2513-000		3004
Dennis/ADL					
Dart Single Deck		418777	FT3DN001/3	Main Tank with Filler, Single Tank System Located Offside Centre	3005
Dart Single Deck 57mm Link Pipe Hose Connection			FT3DN001/4	Main Tank with Filler, Twin Tank System Located Offside Centre	3006
Dart Single Deck Flange Connection			FT3DN001/5	Main Tank with Filler, Twin Tank System Located Offside Centre	3007
Dart Single Deck Flange Connection Fitted with Gauge			FT3DN001/6	Main Tank with Filler, Twin Tank System Located Offside Centre	3008
Dart Single Deck 57mm Link Pipe		415175	FT3DN025/1	Auxiliary Tank without Filler, Twin Tank System Located Offside Rear	3009
Dart SLF Single Deck Universal Tank with Extra 1/2" Union		418258	FT3DN500	Main Tank with Filler, Single Tank System Located Nearside Rear	3010
Dart SLF with 1/2" Union			FT-1002-000	Main Tank with Filler, Single Tank System Located Nearside Rear	3011
Dart SLF Fast Fill Type, Welded Flange			FT-1003-000	Main Tank with Filler, Single Tank System Located Nearside Rear	3012
Trident Double Deck		426284	FT3DN030/11	Main Tank with Filler, Single Tank System Located Under Chassis	3013
Trident Double Deck Bolted Neck			FT3DN033/10	Main Tank with Filler, Single Tank System Located Under Stairs	3014
Trident Double Deck Welded Neck			FT3DN032/10	Main Tank with Filler, Single Tank System Located Under Stairs	3015
Javelin		408984	FT-1020-000		3016
Javelin		413822	FT-1023-000	Outer Tank	3017
Dart SLF Narrow		413823	FT-1026-000		3018
Enviro 200		413824	FT-2174-000	REPAIR ONLY	3019
Enviro 300		429341	FT-1027-000	REPAIR ONLY	3020
Enviro 400			FT-2173-000	REPAIR ONLY	3021
Leyland					
Bristol / Olympian Double Deck In Line, 76mm Link Pipe		HMK2411	FT3LB017/10	Main Tank with Filler, Twin Tank System Located Offside Front	3022
Bristol / Olympian Double Deck In Line, 76mm Link Pipe			FT3LB019/10	Auxiliary Tank without Filler, Twin Tank System Located Offside Rear	3023
Olympian Double Deck 76mm Link Pipe, 70mm Filler			FT3LB018/10	Main Tank with Filler, Twin Tank System Located Offside Centre	3024
Olympian Double Deck 76mm Link Pipe, 89mm Filler			FT3LB018/11	Main Tank with Filler, Twin Tank System Located Offside Centre	3025

Model	Year	OE Ref	Part Number	Comments	Drawing Number
Olympian Double Deck Hose Neck Filler, 76mm Link Pipe &			FT3LB018/20	Main Tank with Filler, Twin Tank System Located Offside Centre	3026
Olympian Double Deck 76mm Link Pipe, Bleed facing front on			FT3LB018/30	Main Tank with Filler, Twin Tank System Located Offside Centre	3027
Olympian Double Deck 76mm Filler, Bleed on top neck			FT3LB018/40	Main Tank with Filler, Twin Tank System Located Offside Centre	3028
Olympian Double Deck 76mm Filler, Bleed on top neck			FT3LB018/50	Main Tank with Filler, Twin Tank System Located Offside Centre	3029
Olympian Double Deck 76mm Link Pipe		HRK4368 3117431	FT3LB020/30	Auxiliary Tank without Filler, Twin Tank System Located Nearside Centre	3030
Olympian Double Deck 76mm Link Pipe			FT3LB032/10	Main Tank with Filler, Three Tank System Located Offside Centre	3031
Olympian Double Deck 76mm Link Pipe			FT3LB037/10	Auxiliary Tank without Filler, Two / Three Tank Located Offside Rear	3032
MAN					
18.220 Stainless Steel		8112 201 6111	FT3MN001/10	Main Tank with Filler, Single Tank System Located Offside Rear	3033
14.220		2112.201.6206	FT-2479-000		3034
MCW Metrobus					
Metrobus Double Deck Hinge/Pin Filler		FT37, FT41, FTM-UNIV-1	FT3MC004/10	Main Tank with Filler, Single Tank System Located Offside Centre	3035
Metrobus Double Deck Screw Neck Filler		FT37, FT41, FTM-UNIV-1	FT3MC004/11	Main Tank with Filler, Single Tank System Located Offside Centre	3036
Optare					
Excel - Cummins Engine Single Deck, Screw Filler			FT3OP001/10	Main Tank with Filler, Single Tank System Located Offside Rear	3037
Excel/Solo-Mercedes Engine, Single Deck Bayonet Connection			FT3OP002/10	Main Tank with Filler, Single Tank System Located Offside Rear	3038
Solo - Mercedes Engine Single Deck Mini Bus, Screw Filler		R4400033	FT3OP003/10	Main Tank with Filler, Single Tank System Located Offside Front	3039
Solo		R4400033/79	FT-1014-000		3040
Solo		RR-4400012	FT-1015-000		3041
Tempo			FT-2175-000	REPAIR ONLY	3042
Versa			FT-2176-000	REPAIR ONLY	3043
Scania					
N113 SD/DD Double Deck, 76mm Filler		410929	FT3SC002/10	Main Tank with Filler, Single Tank System Located Offside Centre	3044
Volvo					
B6LE Single Deck			FT3VL014/10	Main Tank with Filler, Single Tank System Located Offside Rear	3045
B6R Single Deck		260051	FT3VL006/10	Main Tank with Filler, Single Tank System Located Offside Centre	3046
B7TL Double Deck			FT-2177-000	REPAIR ONLY	3047
B7R Single Deck			FT-2178-000	REPAIR ONLY	3048
B7RLE Single Deck			FT-2179-000	REPAIR ONLY	3049

Fuel Tank Application Guide

Model	Year	OE Ref	Part Number	Comments	Drawing Number
B10B Single Deck			FT3VL013/10	Main Tank with Filler, Single Tank System Located Offside Centre	3050
B10M Mk3, Single / Double Deck 70mm Link Pipe		3031522-0	FT3VL010/10	Main Tank with Filler, Two or Three Tank System Located Rear, Near or Offside	3051
B10M Mk3 Single / Double Deck 70mm Link Pipe		1190945	FT3VL011/10	Auxiliary Tank without Filler, Two Tank System Located Rear Centre	3052
B10M Mk3, Single / Double Deck 70mm Link Pipe			FT3VL011/11	Auxiliary Tank without Filler, Three Tank System, Located Rear Centre	3053
B10M Mk3, Single / Double Deck 70mm Link Pipe			FT3VL012/10	Auxiliary Tank without Filler, Three Tank System, Located Nearside Rear	3054
B10M Mk4, 90mm Link Pipe Metal Replacement for Original		9518425	FT3VL015/10	Main Tank with Filler, Two or Three Tank System, Located Rear, Near or Offside	3055
B10M Mk4, 90mm Link Pipe Metal Replacement for Original		9518427	FT3VL016/10	Auxiliary Tank without Filler, Twin Tank System, Located Rear Centre	3056
B10M Mk4, 90mm Link Pipe Metal Replacement for Original			FT3VL016/11	Auxiliary Tank without Filler, Three Tank System, Located Rear Centre	3057
Olympian Double Deck 76mm Link Pipe, In Line System			FT3VL017/10	Main Tank with Filler, Twin Tank System Located Offside Front	3058
Olympian Double Deck In Line System, 76mm Link Pipe		1066739	FT3VL019/10	Auxiliary Tank, Twin Tank System Located Offside Rear	3059
Olympian Double Deck 76mm Link Pipe, Long Filler, Level Gauge		3117881	FT3VL018/10	Main Tank with Filler, Twin Tank System Located Offside Centre	3060
Olympian Double Deck 76mm Link Pipe		3117881	FT3VL018/11	Main Tank with Filler, Twin Tank System Located Offside Centre	3061
Olympian Double Deck 76mm Link Pipe, Short filler, Level Gauge		3117431, 3117626	FT3VL020/10	Auxiliary Tank without Filler, Twin Tank System Located Nearside Centre	3062
Olympian Double Deck 76mm Link Pipe Fits with FT3VL019/10, FT3VL020/10			FT3VL032/10	Main Tank with Filler, Three Tank System Located Nearside Centre	3063

Oil Tank Application Guide

Model	Year	OE Ref	Part Number	Comments	Drawing Number
Dennis					
Dart SLF Hydraulic Tank		421045	HT-1013-000		4001
Volvo					
B10B / B10L / B10M		3035491	HT3VL100	Engine Oil Tank	4002
B10B / B10L / B10M		3036180	HT3VL005/10	Hydraulic Oil Tank	4003
Hydraulic Oil Tank		8106.302.5844	HT-2015-000		4004
Hydraulic Oil Tank		9518570	HT-1007-000		4005

Model	Year	OE Ref	Part Number	Comments	Drawing Number
DAF / VDL					
SB220 GS	96-2004	1188134	OC-1071-000	Hydraulic Oil Cooler	5001
SB120 / 200	96-2006		OT3AA100	Allison Transmission Oil Cooler	5002
Dennis / Transbus / ADL					
Dart (Euro 2/3)	1996-2005	248350, 660106	OT3DN001/1	Allison Transmission Cooler	5003
Dart SLF Euro 2	1996-2000	420024	OC-1004-000	Hydraulic Oil Cooler	5004
E500 Euro 3/4	2001>		OH3AA021	Hydraulic Oil Cooler	5005
E500 Euro EPA 02 / 04	2001>2007	428035-1	OH3AA021	Hydraulic Oil Cooler	5005
Dart Euro 3	2001>2006		OH3AA022	Hydraulic Oil Cooler	5006
Trident Euro 2	1996>2001		OC-1055-000 / OH3DN501	Hydraulic Oil Cooler	5007
Trident Euro3	2001-2005		RK3DN500	Hydraulic Oil Cooler	5008
E200 4 Cyl	2006>		OC-1001-000	Hydraulic Oil Cooler	5009
E200 4-6 Cyl	2006>		OT2DN001	Transmission Oil Cooler	5010
E500 EPA07 Medium Duty	2006>		OC-2249-000	Hydraulic Oil Cooler	5011
E300 Euro 3 - E4	2001>		OH3AA021	Hydraulic Oil Cooler	5012
E300 Late Euro 4	2001>		OC-1001-000	Hydraulic Oil Cooler	5013
E400 Nearside	2006>Aug 2009	440690-1	OH3AA027	Hydraulic Oil Cooler	5014
E400 Offside	2009		OC-1001-000	Hydraulic Oil Cooler	5015
R Series Coach	1997>		OC-2126-000	Hydraulic Oil Cooler	5016
Javelin Euro 3 - Euro 4	2001>		OC-1047-000	Hydraulic Oil Cooler	5017
Optare					
Excel Cummins Engine Euro 2		81325606070	OC-1060-000	Hydraulic Oil Cooler	5018
Excel Mercedes Engine Euro 3			OH3OP020	Hydraulic Oil Cooler	5019
Solo Euro 2/3 Mercedes Engine	1997>2009	R3400046	OC-1006-000	Hydraulic Oil Cooler	5020
Solo Euro 4 SE Mercedes Engine	2006>	R3400046	OC-1006-000	Hydraulic Oil Cooler	5021
Solo E3/4 Cummins Engine	2001-2009		OH3AA021	Hydraulic Oil Cooler	5022
Solo E4 MAN/Mercedes Engine	2006 >		OH3AA021	Hydraulic Oil Cooler	5023
Solo Euro 3 Mercedes Engine	2001>2005	R34000141	OT3AA110	Transmission Cooler	5024
Solo Cummins Euro 3 Engine	2001>2005	R34000208	OT3AA210	Transmission Cooler	5025

Model	Year	OE Ref	Part Number	Comments	Drawing Number
Solo E4 Cummins Engine	2006 >		OT2DN001	Transmission Cooler	5026
Solo E4 Mercedes Engine	2006 >		OT3AA110	Transmission Cooler	5027
Solo E4 MAN Engine	2006 > 2008		OT2DN001	Transmission Cooler	5028
Solo E4 MAN Engine	2008 >	32130004	OT3AA401	Transmission Cooler	5029
Tempo Euro 3	2001 > 2005		OH3AA020	Hydraulic Oil Cooler	5030
Tempo Euro 4	2006		OC-1008-000	Hydraulic Oil Cooler	5031
Versa Euro 4 Cummins Engine	2007 >		OT2DN001	Transmission Cooler	5032
Versa Euro 4 MAN Engine	2006 - 2008		OT2DN001	Transmission Cooler	5033
Versa Euro 4 MAN Engine	2008>		OT3AA401	Transmission Cooler	5034
Versa Euro 4 Mercedes Engine	2008>		OT3AA110	Transmission Cooler	5035
Versa Euro 4 All Types	2006>		OH3AA021	Hydraulic Oil Cooler	5036
MAN					
14.220 Euro 3		8132 560 6070	OC-1060-000	Hydraulic Oil Cooler	5037
18.220 Euro 4		8106	OC-2129-000	Hydraulic Oil Cooler	5038
Mercedes					
709/711			OT3ME001	34 row 1/2" bsp outlets - Transmission	5039
811/814 Vario		001-501-7501	OT3ME002	Transmission Cooler	5040
0405			OC-2188-000	Transmission Cooler	5041
Citaro			OC-2189-000	Hydraulic Oil Cooler	5042
Scania					
L94/N94		1430985	OC-1064-000	Hydraulic Oil Cooler	5043
L113		478534	OA2SC001	Hydraulic Oil Cooler	5044
Volvo					
B10B		3979006, 425957, 469698	OE3VL001/1	Engine Oil Cooler	5045
B10M Mk1		69264, 030104	OE3VL002/1	Engine Oil Cooler	5046
D10A Olympian Bus		468035	OE3VL003/1	Engine Oil Cooler, Oil / Water Tube & Shell	5047
B7TL		9522850	OC-1045-000	Hydraulic Oil Cooler	5048
B7R			OC-1051-000	Engine Oil Cooler	5049
Wrightbus					
Wrightbus			OC-2292-000	Hydraulic Oil Cooler	5050

COMPANY INFORMATION

Background

Formed in 1978 and located at the heart of the UK's transport network in Birmingham, Grayson Thermal Systems designs, manufacturers and supplies cooling, heating and air conditioning products to bus and coach specialist vehicle industries worldwide.

A proud UK manufacturer, Grayson works in partnership with its customers to develop innovative ways for them to improve vehicle performance and reliability and reduce costs so that they can maintain their competitive edge.

Our two main production facilities offer the very latest brazed aluminium technology, whilst also delivering the more traditional copper brass products. We offer excellent service support through our Birmingham Service Centre, which co-ordinates service activity worldwide, offering complete vehicle contract maintenance of cooling, heating and AC systems or field service when required.

Locations

<p>Head Office & Aluminium Technology Centre</p> <p>Wharfdale House 257 Wharfdale Road Tyseley Birmingham West Midlands B11 2DP</p>	<p>Copper Brass & HVAC Manufacturing Plant</p> <p>1 Wharf Road Tyseley Birmingham West Midlands B11 2DX</p>	<p>Air Conditioning & Vehicle Servicing Division</p> <p>Unit 44 Elmdon Trading Estate Bickenhill Lane Birmingham West Midlands B37 7HE</p>
--------------------------------------------------------------------------------------------------------------------------------------------------------------------	----------------------------------------------------------------------------------------------------------------------------------------	---------------------------------------------------------------------------------------------------------------------------------------------------------------------------

Parts Distribution Network

<p>Midlands Depot</p> <p>1 Wharf Road Tyseley Birmingham West Midlands B11 2DX</p>	<p>Southern Depot</p> <p>Unit 6 Rutherford Centre Daneshill Industrial Estate Basingstoke Hampshire RG24 8PB</p>	<p>Northern Depot</p> <p>Unit 2 Southlink Business Park Oldham Lancashire OL4 1DE</p>	<p>Scotland Depot</p> <p>Unit 6F Whitestone Place Whitehall Industrial Estate Bathgate West Lothian EH48 2EW</p>
-----------------------------------------------------------------------------------------------------------	-----------------------------------------------------------------------------------------------------------------------------------------	--------------------------------------------------------------------------------------------------------------	-----------------------------------------------------------------------------------------------------------------------------------------

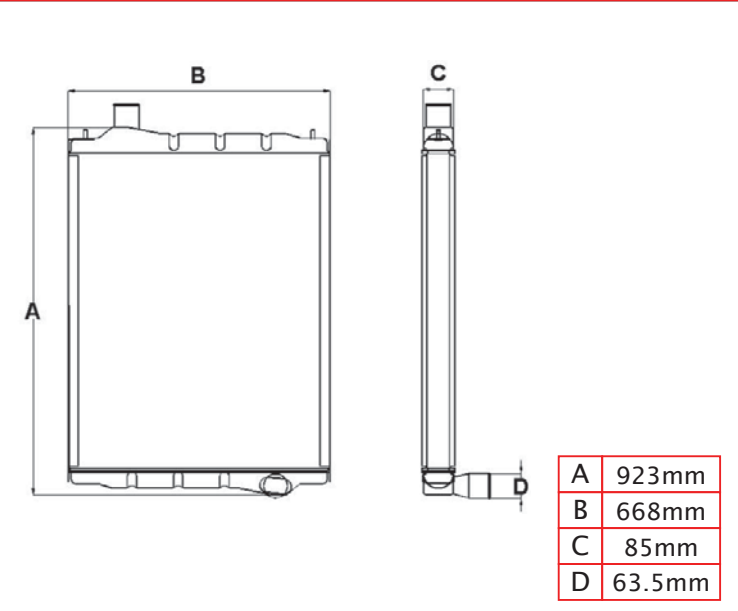
COMPANY INFORMATION

UK Distributors

<p>Allspares Ltd.</p> <p>HEAD OFFICE: 19 Sturmi Way, Village Farm Industrial Estate Pyle, Glamorgan CF33 6NY TEL: 01656 663163 / 662330 FAX: 01656 660263 / 663301</p> <p>DEPOTS: AVONMOUTH TEL: 0117 938 1144 / 1155 FAX: 0117 938 1456</p> <p>CARDIFF TEL: 029 20 814050 FAX: 029 20 811966</p> <p>HEREFORD TEL: 01432 263438 FAX: 01432 358607</p> <p>LLANELLI TEL: 01269 831177 / 831182 FAX: 01269 831198</p> <p>NEWTON ABBOT TEL: 01626 836208 / 836209 FAX: 01626 835242</p> <p>SWINDON TEL: 01249 819900 FAX: 01249 819901</p>	<p>ARBROATH TEL: 01241 876414 FAX: 01241 878412</p> <p>BELLSHILL TEL: 01698 744328 FAX: 01698 744318</p> <p>DUNDEE TEL: 01382 643000 FAX: 01382 643556</p> <p>EDINBURGH (GYLE) TEL: 0131 316 4955 FAX: 0131 334 7540</p> <p>EDINBURGH (LEITH) TEL: 0131 657 6464 FAX: 0131 657 6418</p> <p>ELGIN TEL: 01343 552888 FAX: 01343 552626</p> <p>FALKIRK TEL: 01324 677100 FAX: 01324 670090</p> <p>FRASERBURGH TEL: 01346 512345 FAX: 01346 515453</p> <p>GLASGOW TEL: 0141 554 9998 FAX: 0141 550 0330</p> <p>GREENOCK TEL: 01475 552556 FAX: 01475 552558</p> <p>INVERNESS TEL: 01463 236686 FAX: 01463 220308</p> <p>KIRKCALDY TEL: 01592 654212 FAX: 01592 653989</p> <p>MONTROSE TEL: 01674 675311 FAX: 01674 672722</p> <p>PAISLEY TEL: 0141 887 2033 FAX: 0141 847 1749</p> <p>PERTH TEL: 01738 443388 FAX: 01738 443377</p>	<p>PETERHEAD TEL: 01779 476551 FAX: 01779 476465</p> <p>Lincolnshire Radiators</p> <p>Unit 7, Newark Road Industrial Estate Lincoln, Lincolnshire, LN5 8RE TEL: 01522 543631 FAX: 01522 540800</p> <p>Partech Ltd.</p> <p>Naas Industrial Estate, Naas, Co Kildare TEL: 00353 45 879009 FAX: 00353 45 879082</p> <p>Partic Motor Spares Ltd.</p> <p>Brunel Drive, Northern Road Industrial Estate, Newark, Nottinghamshire, NG24 2EG TEL: 01636 702479 FAX: 01636 705362</p> <p>Steadplan</p> <p>Salthill Industrial Estate, Lincoln Way, Clitheroe, Lancashire BB7 1QL TEL: 01200 427417 FAX: 01200 428574</p> <p>Swedish Truck Parts</p> <p>Unit 17, Manor Trading Estate, Benfleet, Essex, SS7 4PS TEL: 01268 792777 FAX: 01636 705362</p> <p>Transport Supplies Ltd.</p> <p>Dargan Court, 21 - 59 Dargan Crescent, Belfast BT3 9JP TEL: 028 9078 1230 FAX: 028 9037 0131</p>
-----------------------------------------------------------------------------------------------------------------------------------------------------------------------------------------------------------------------------------------------------------------------------------------------------------------------------------------------------------------------------------------------------------------------------------------------------------------------------------------------------------------------------------------------------------------------------------------------------------------------------------------	---------------------------------------------------------------------------------------------------------------------------------------------------------------------------------------------------------------------------------------------------------------------------------------------------------------------------------------------------------------------------------------------------------------------------------------------------------------------------------------------------------------------------------------------------------------------------------------------------------------------------------------------------------------------------------------------------------------------------------------------------------------------------------------------------------------------------------------------------------------------------------------------------------------------------------------------------------	------------------------------------------------------------------------------------------------------------------------------------------------------------------------------------------------------------------------------------------------------------------------------------------------------------------------------------------------------------------------------------------------------------------------------------------------------------------------------------------------------------------------------------------------------------------------------------------------------------------------------------------------------------------------------------------------------------------------------------------------------------------------------------------------------------------------------------------------------------------------------------------------------------------------------------------------------------------------------------------------------------------------------------

RADIATORS
- DAF / VDL

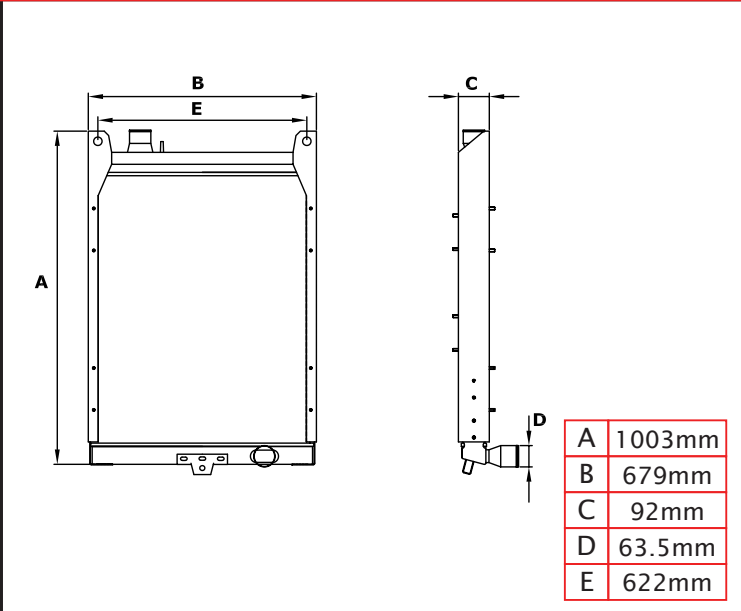
TEL: +44 (0) 121 700 5600 - FAX: +44 (0) 121 700 5601 - E-MAIL: sales@graysonts.com - WEB: www.graysonts.com



Drawing No. 1001
Part No. CP-1014-017
OE References: 03100348

Description: DAF DB 250 Double Deck - Insert

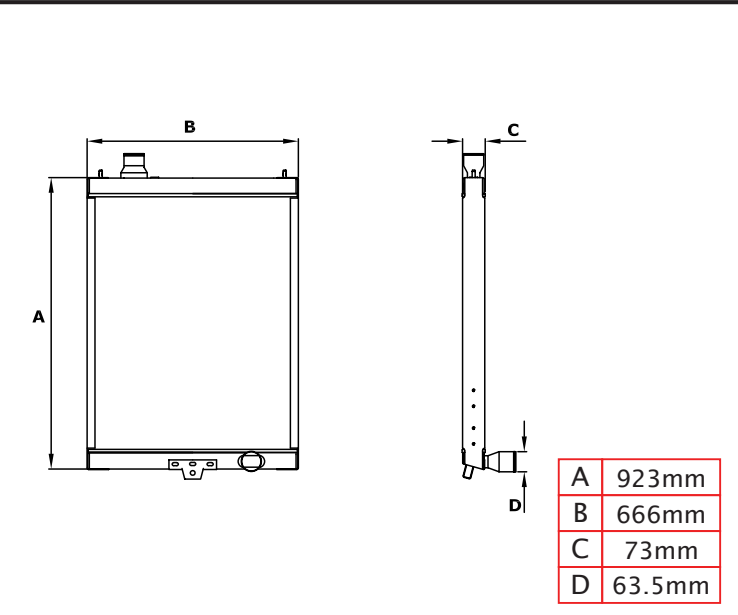
Comments: Fast Fit Cassette Unit, Located Offside Rear, Intercooled (IU3DF020)



Drawing No. 1002
Part No. RR3DF250
OE References:

Description: DAF DB 250 Double Deck - Insert

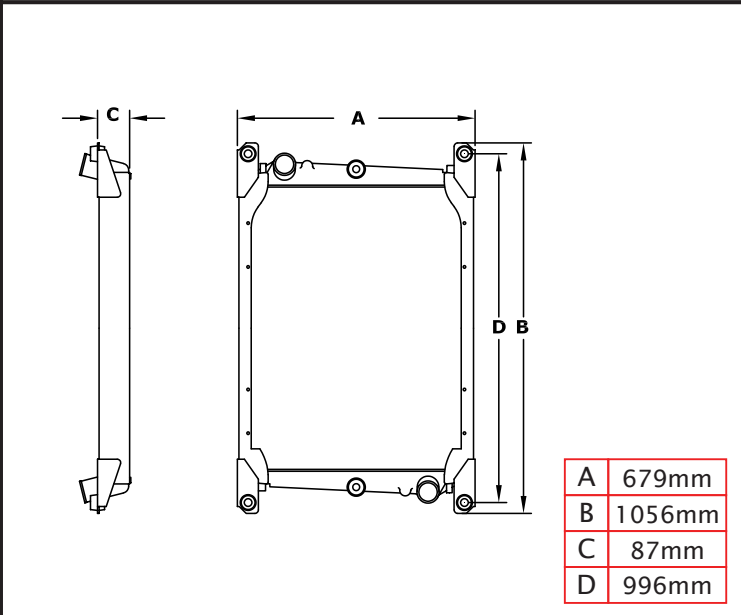
Comments: Fast Fit Cassette Unit, Located Offside Rear, Intercooled (IU3DF020)



Drawing No. 1003
Part No. RR3DF251
OE References: RR3DF251

Description: DAF DB 250 Double Deck - Insert

Comments: Fast Fit Cassette Unit, Located Offside Rear, Intercooled (IU3DF020)



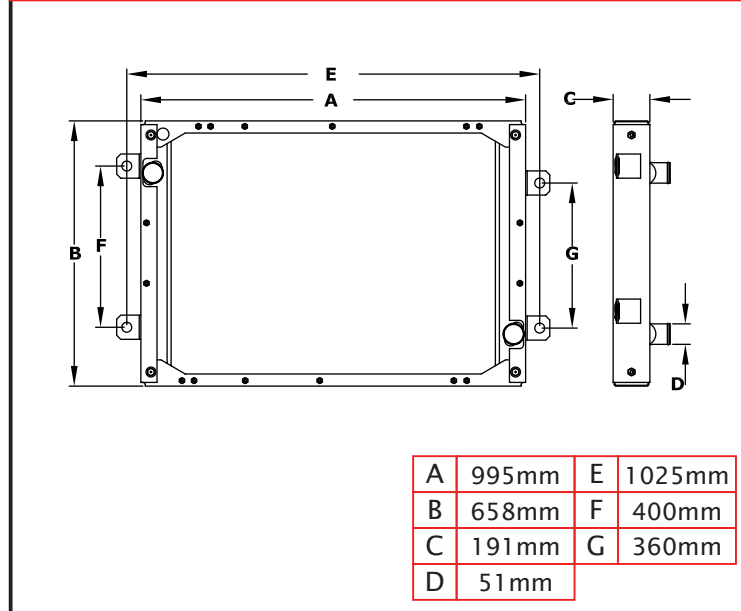
Drawing No. 1004
Part No. RR3DF020
OE References: 1238820, 0076449R

Description: DAF DB 250 Spectra Double Deck

Comments: Original Version, Located Offside Rear, Intercooled (IU3DF020)

RADIATORS
- DAF / VDL

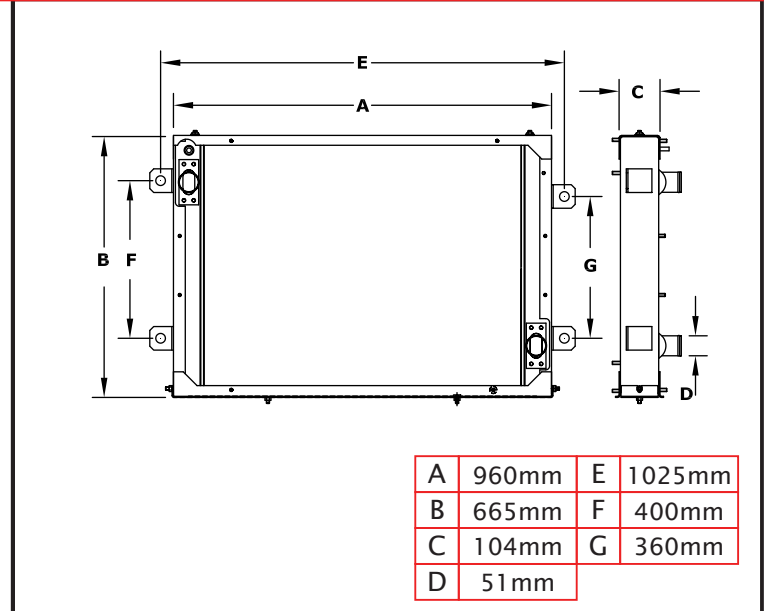
TEL: +44 (0) 121 700 5600 - FAX: +44 (0) 121 700 5601 - E-MAIL: sales@graysonts.com - WEB: www.graysonts.com



Drawing No. 1005
Part No. RR3DF030
OE References: 1198160

Description: DAF SB220 GS (Euro 2) Single Deck

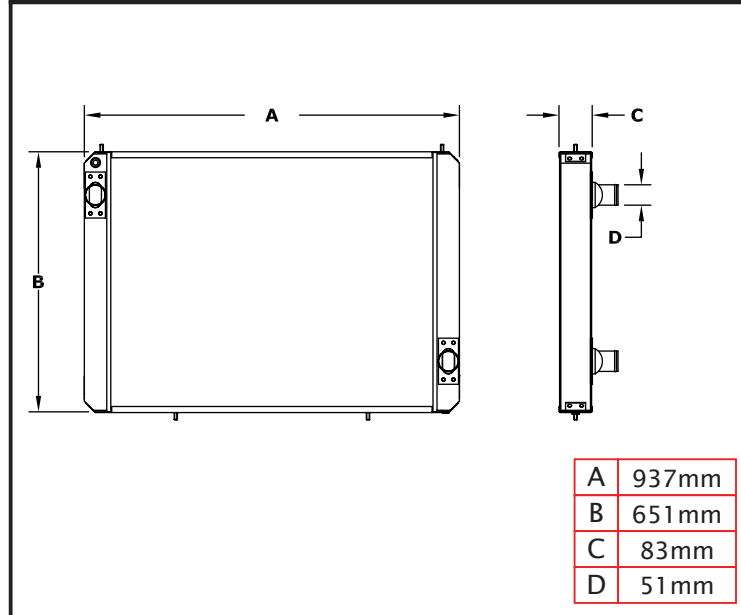
Comments: Original Version, Located Nearside Rear, Intercooled (IU3DF030)



Drawing No. 1006
Part No. RR3DF220
OE References: RR3DF220

Description: DAF SB220 GS (Euro 2) Fixed Intercooler, Single Deck

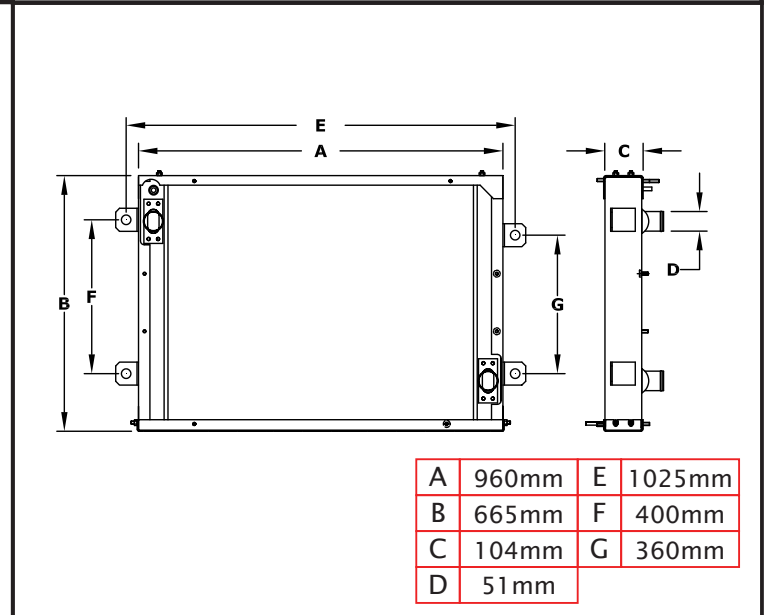
Comments: Fast Fit Cassette Unit, Located Nearside Rear, Intercooled (IU3DF030)



Drawing No. 1007
Part No. RR3DF221
OE References: RR3DF221

Description: DAF SB220 GS (Euro 2) Fixed Intercooler Single Deck - Insert for RR3DF220

Comments: Fast Fit Cassette Unit, Located Nearside Rear, Intercooled (IU3DF030)



Drawing No. 1008
Part No. RR3DF222
OE References: RR3DF222

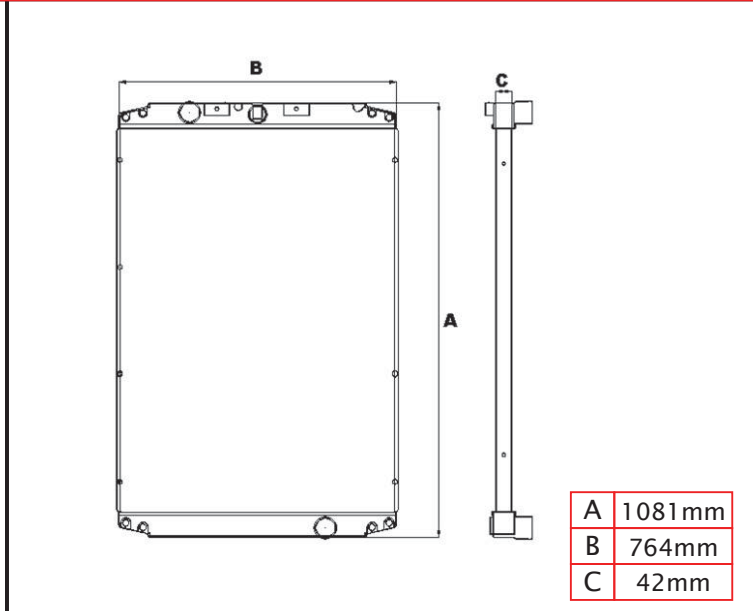
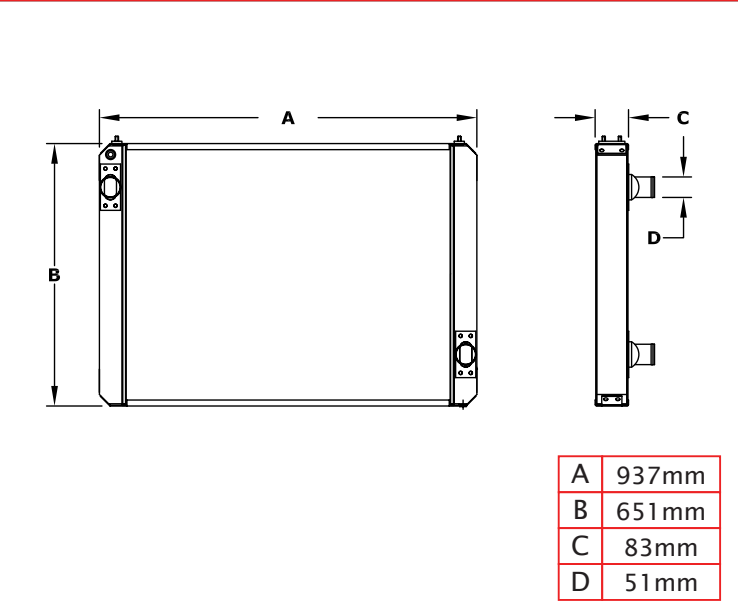
Description: DAF SB220 (Euro 2) Swing Open Intercooler Single Deck

Comments: Fast Fit Cassette Unit, Located Nearside Rear, Intercooled (IU3DF030)

RADIATORS

- DAF / VDL

TEL: +44 (0) 121 700 5600 - FAX: +44 (0) 121 700 5601 - E-MAIL: sales@graysonts.com - WEB: www.graysonts.com

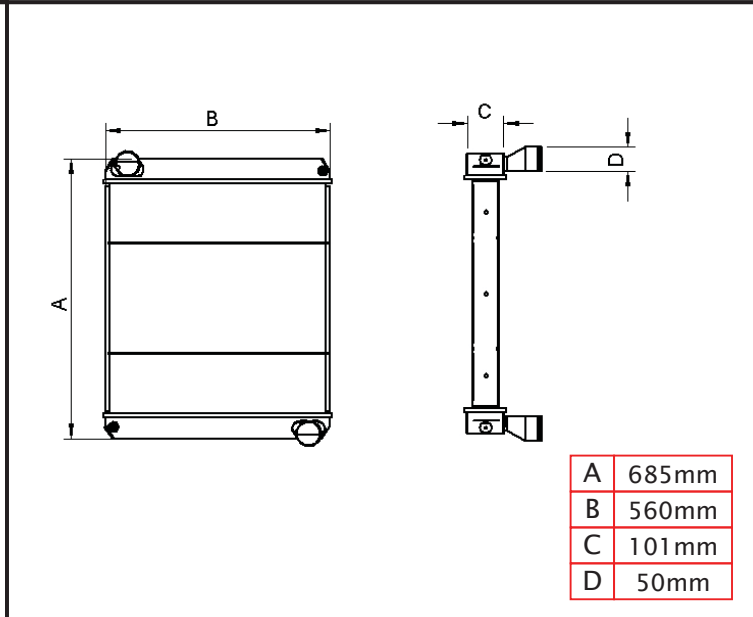
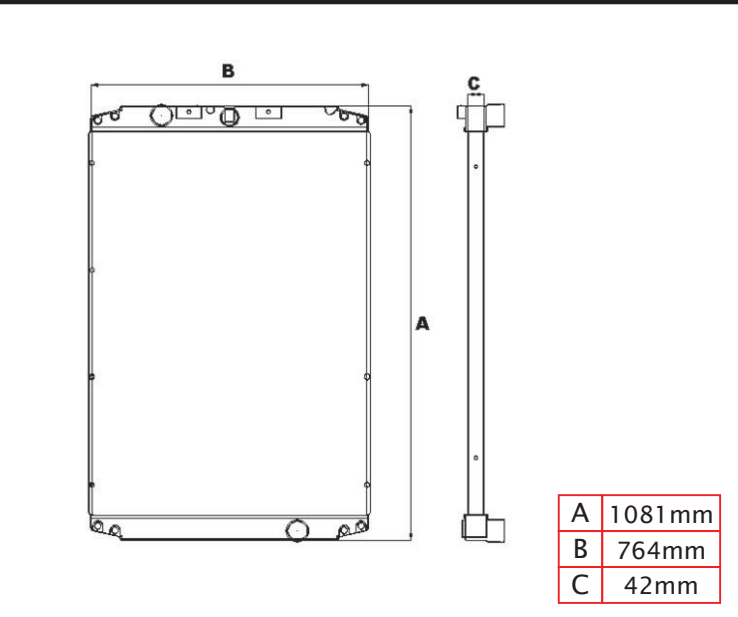


Drawing No. 1009
Part No. RR3DF223

Drawing No. 1010
Part No. RR3DF007

OE References: RR3DF223
Description: DAF SB 220 GS (EURO 2) Swing Open Intercooler Single Deck Insert for RR3DF222
Comments: Fast Fit Cassette Unit, Located Nearside Rear, Intercooled (IU3DF020)

OE References: 1143087
Description: DAF SB3000 Coach (Supplied Without Sides)
Comments: Original Version, Located Nearside Rear, Intercooled



Drawing No. 1011
Part No. RR3DF007

Drawing No. 1012
Part No. RR3DF022

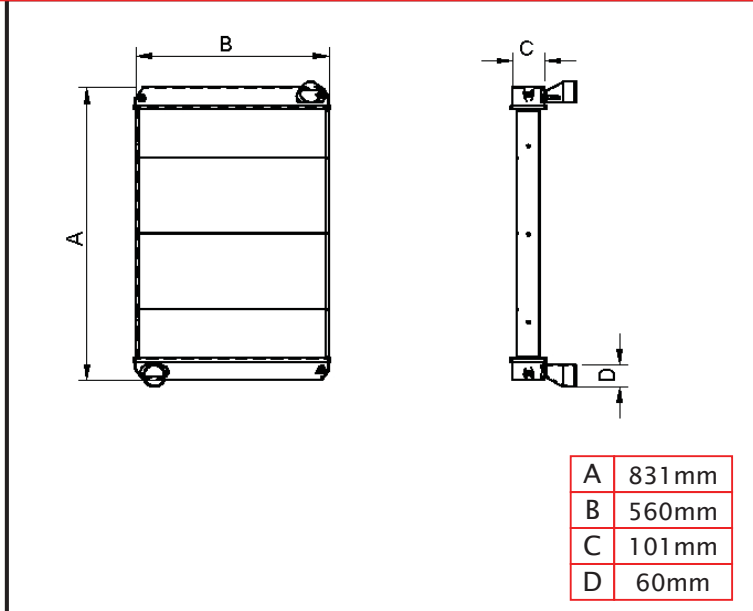
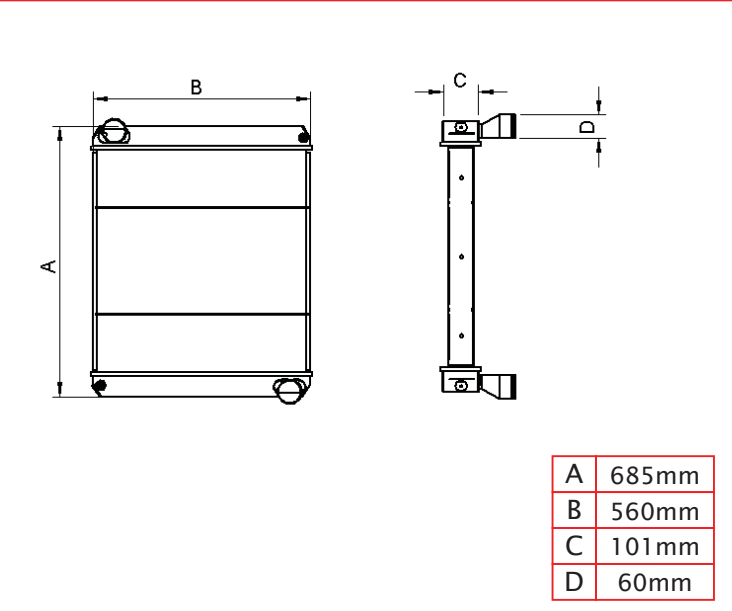
OE References:
Description: BOVA Futura Euro 3 (Supplied Without Sides)
Comments: Original Version, Located Nearside Rear, Intercooled

OE References: 1142966
Description: DAF SB 120 Single Deck
Comments: Original Version, Located Offside Rear, Intercooled, REMANUFACTURED

RADIATORS

- DAF / VDL

TEL: +44 (0) 121 700 5600 - FAX: +44 (0) 121 700 5601 - E-MAIL: sales@graysonts.com - WEB: www.graysonts.com



Drawing No. 1013
Part No. RR-1030-000

Drawing No. 1014
Part No. RR-1058-000

OE References: 1147640
Description: DAF SB120
Comments:

OE References: 1147655
Description: DAF SB200
Comments:

Currently Unavailable
Re-Core Only

Currently Unavailable
Re-Core Only

Drawing No. 1015
Part No. RR-1076-000

Drawing No. 1016
Part No. RR-1076-000

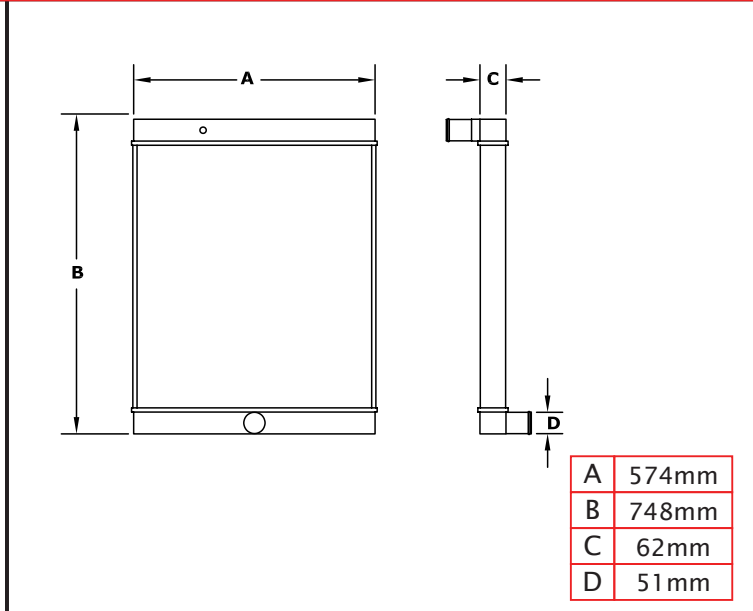
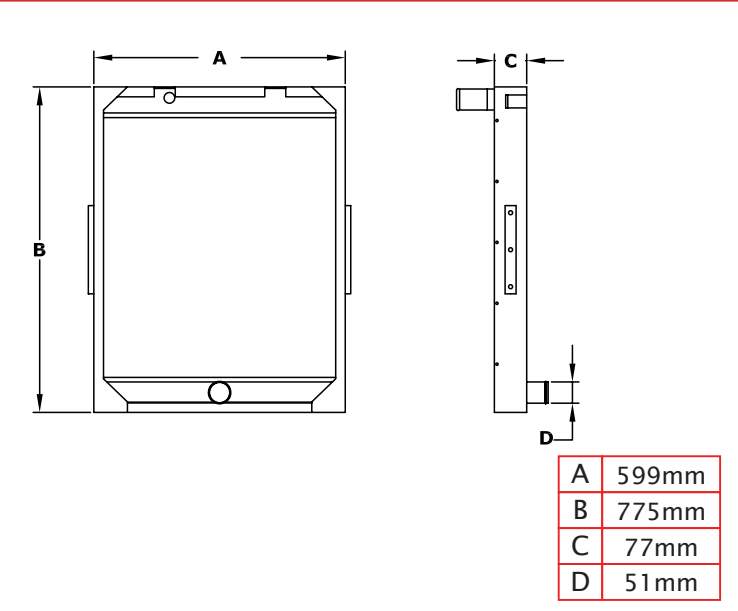
OE References:
Description: DAF SB4000
Comments:

OE References:
Description: Bova Futura
Comments:

RADIATORS

- ADL / Dennis; Dart

TEL: +44 (0) 121 700 5600 - FAX: +44 (0) 121 700 5601 - E-MAIL: sales@graysonts.com - WEB: www.graysonts.com



Drawing No. 1017
Part No. RR3DN200

Drawing No. 1018
Part No. RR3DN201

OE References: 410872, 414511

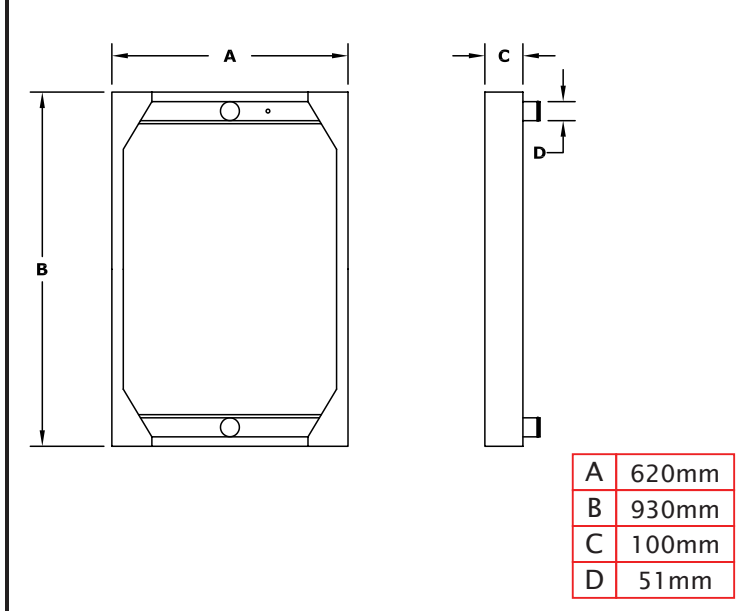
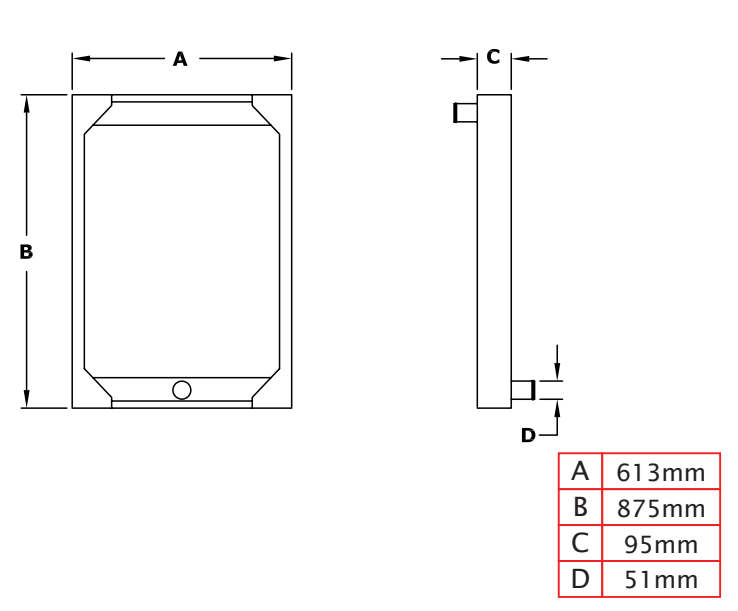
OE References: RR3DN201, 410872-C

Description: Dart Mk1 Single Deck Belt Driven Fan

Description: Dart Mk1 Single Deck Belt Driven Fan

Comments: Fast Fit Cassette Unit, Located Offside Rear, Non Intercooled

Comments: Fast Fit Cassette Insert, Located Offside Rear, Non Intercooled, **Insert for RR3DN200**



Drawing No. 1019
Part No. RR3DN020

Drawing No. 1020
Part No. RR3DN025

OE References: 412886, 416013

OE References: 420029-1

Description: Dart (Euro 1) Single Deck Hydraulic Fan Drive

Description: Dart (Euro 2) Single Deck

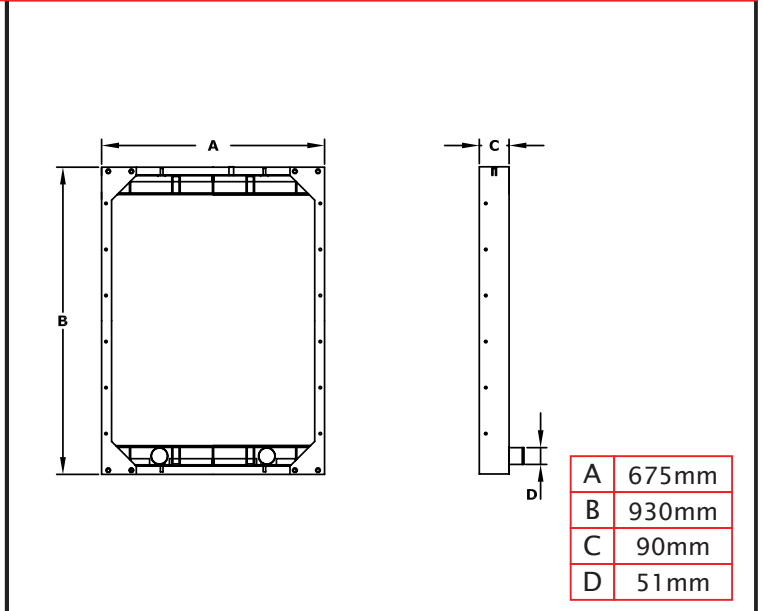
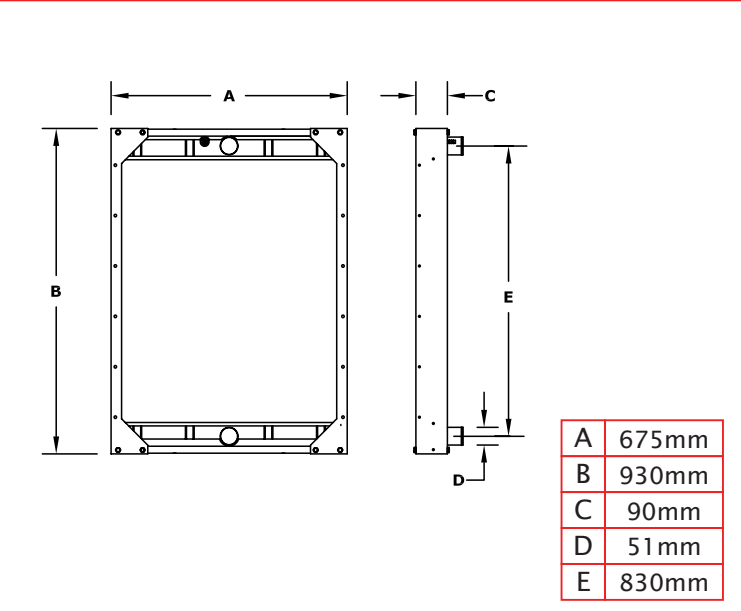
Comments: Original Version, Located Offside Rear, Non Intercooled

Comments: Original Version, Located Offside Rear, Intercooled (**IU3DN026-R**)

RADIATORS

- ADL / Dennis; Dart

TEL: +44 (0) 121 700 5600 - FAX: +44 (0) 121 700 5601 - E-MAIL: sales@graysonts.com - WEB: www.graysonts.com



Drawing No. 1021
Part No. RR3DN026

Drawing No. 1022
Part No. RR3DN250/1

OE References: 418282/1

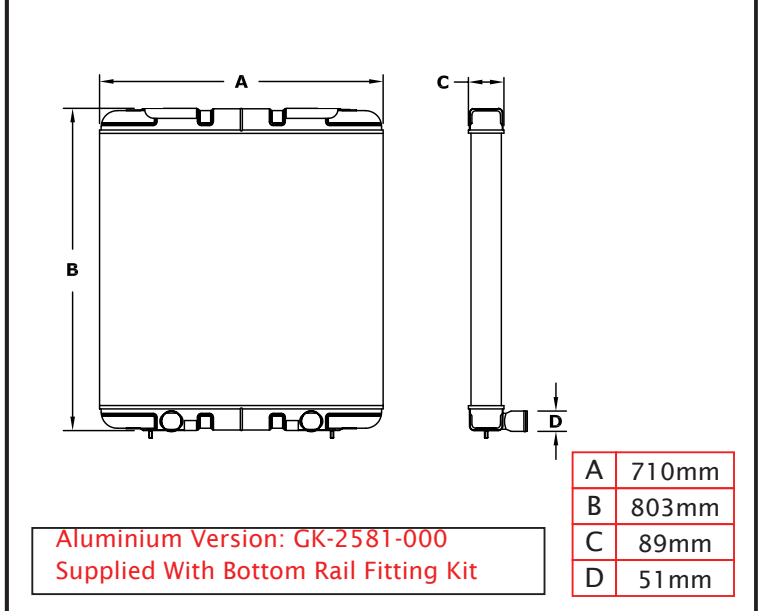
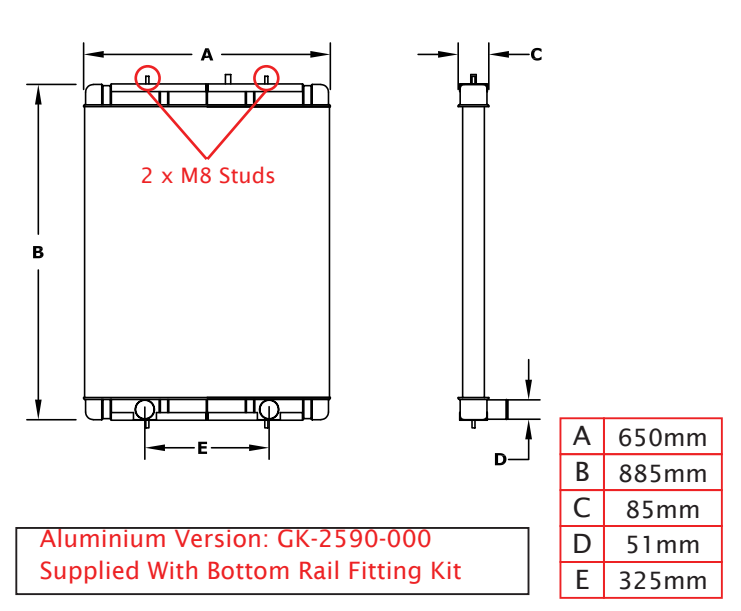
OE References: ZQ40000

Description: Dart SLF (Euro 2) Single Deck, **Fast Fit Option RR3DN250/1**

Description: Dart SLF (Euro 2) Single Deck

Comments: Original Version, Located Offside Rear, Intercooled (**IU3DN026-R**) Upto 1999

Comments: Fast Fit Cassette Unit, Located Offside Rear, Intercooled (**IU3DN026-R**) 1999 onwards



Drawing No. 1023
Part No. RR3DN251/1

Drawing No. 1024
Part No. RR-1026-900

OE References: 658815

OE References: 430470/1

Description: Dart SLF (Euro 2) Single Deck, Insert for **RR3DN250/1**

Description: Dart SLF (Euro 3) - ISBe Single Deck, 4 cyl: upto 170HP

Comments: Fast Fit Cassette insert, Located Offside Rear, Intercooled (**IU3DN026-R**), 1999 onwards

Comments: Fast Fit Cassette Insert, Located Offside Rear, Intercooled (**IU3DN352**), 2002 onwards

RADIATORS

- ADL / Dennis; Dart, Enviro

TEL: +44 (0) 121 700 5600 - FAX: +44 (0) 121 700 5601 - E-MAIL: sales@graysonts.com - WEB: www.graysonts.com

A	710mm
B	806mm
C	89mm
D	51mm
E	350mm

Aluminium Version: GK-2581-000
Supplied With Bottom Rail Fitting Kit

A	928mm
B	380mm
C	148mm
D	51mm

Drawing No. 1025	OE References: 429814, 428857
Part No. RR-1027-900	

Drawing No. 1026	OE References:
Part No. RR-1006-000	

Description: Dart SLF (Euro 3) - ISBe Single Deck, 6 cyl: 180HP - 220HP
Comments: Fast Fit Cassette Insert, Located Offside Rear, Intercooled (IU3DN352)

Description: Enviro 200
Comments: 4 Cylinder, Located Offside Rear, 2006 >

A	828mm
B	430mm
C	148mm
D	51mm

A	929mm
B	379mm
C	135mm
D	51mm

Drawing No. 1027	OE References:
Part No. RR-1012-000	

Drawing No. 1028	OE References: 1142966
Part No. RR-1049-000	

Description: Enviro 200
Comments: 6 Cylinder, Located Offside Rear

Description: Enviro E200
Comments: 4 Cylinder, Located Offside Rear

RADIATORS

- ADL / Dennis; Envrio

TEL: +44 (0) 121 700 5600 - FAX: +44 (0) 121 700 5601 - E-MAIL: sales@graysonts.com - WEB: www.graysonts.com

A	825mm
B	421mm
C	142mm

A	710mm
B	806mm
C	89mm
D	51mm
E	350mm

Aluminium Version: GK-2581-000
Supplied With Bottom Rail Fitting Kit

Drawing No. 1029	OE References:
Part No. RR-1050-000	

Drawing No. 1030	OE References:
Part No. RR-1027-900	

Description: Enviro 200
Comments: 6 Cylinder, Located Offside Rear

Description: Enviro 300
Comments: 6 Cylinder, Located Offside Rear, 2001 - 2007

A	825mm
B	421mm
C	142mm

A	710mm
B	853mm
C	89mm
D	51mm
E	350mm

Aluminium Version: GK-2505-000
Supplied With Bottom Rail Fitting Kit

Drawing No. 1031	OE References:
Part No. RR-1050-000	

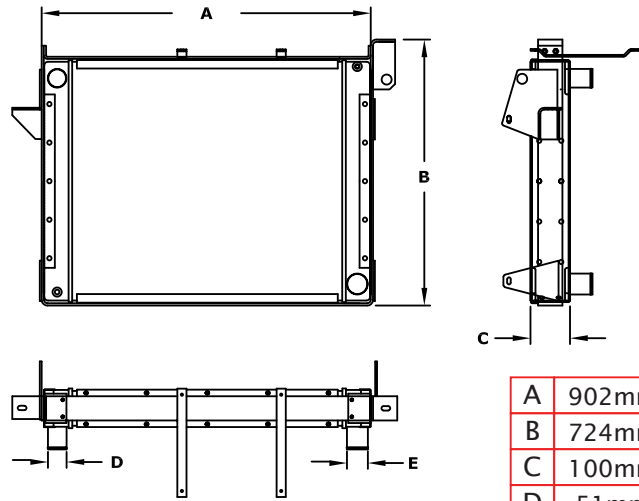
Drawing No. 1032	OE References:
Part No. RR3DN502/1	

Description: Enviro E300
Comments: 6 Cylinder, Located Offside Rear, 2007 >

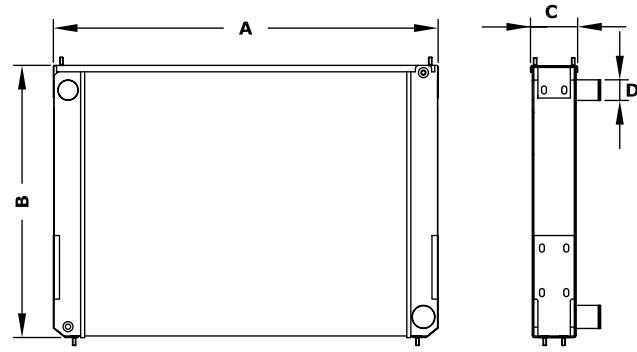
Description: Enviro E400
Comments: Located Nearside Rear, 2006 >

RADIATORS
- ADL / Dennis; Javelin, Lance

TEL: +44 (0) 121 700 5600 - FAX: +44 (0) 121 700 5601 - E-MAIL: sales@graysonts.com - WEB: www.graysonts.com



A	902mm
B	724mm
C	100mm
D	51mm
E	57mm



A	950mm
B	672mm
C	108mm
D	51mm

Drawing No. 1033 OE References: 419579

Part No. RR3DN022

Description: Javelin - Cummins Engine, Single Deck

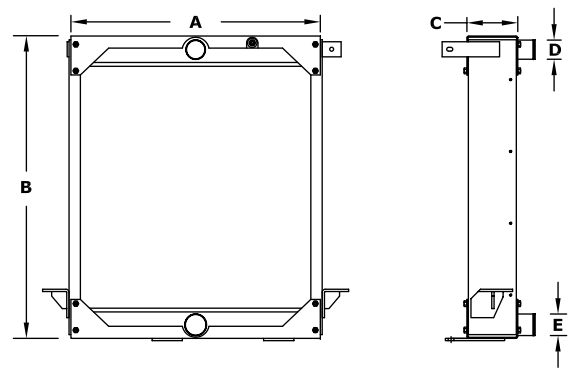
Comments: Original Version, Located Nearside Centre, Intercooled (IU3DN012)

Drawing No. 1034 OE References:

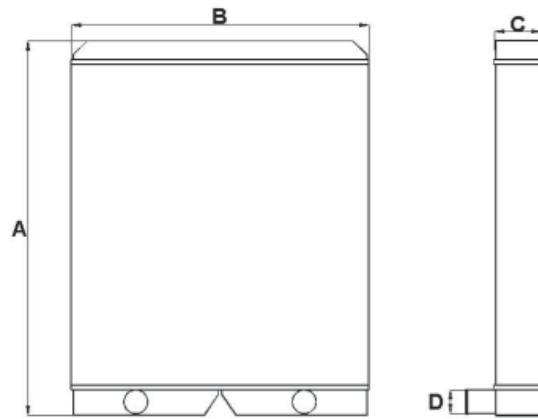
Part No. RR3DN102/1

Description: Javelin (Euro 3 / 4) Single Deck

Comments: Fast Fit Cassette Insert, Located Nearside Centre, Intercooled (IU3DN100)



A	670mm
B	800mm
C	135mm
D	51mm
E	57mm



A	779mm
B	633mm
C	97mm
D	51mm

Drawing No. 1035 OE References: 415083, 416255

Part No. RR3DN016

Description: Lance - Upto 245HP, Single Deck

Comments: Original Version, Located Offside Rear, Intercooled (IU3DN001)

Drawing No. 1036 OE References: RR3DN300, 415083, 416255

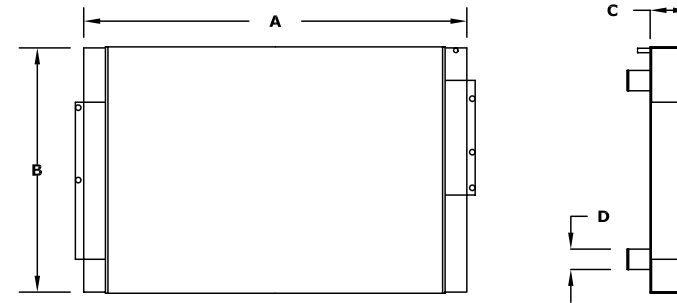
Part No. RR3DN301

Description: Lance - Upto 245HP, Single Deck, Insert for RR3DN300

Comments: Fast Fit Cassette Insert, Located Offside Rear, Intercooled (IU3DN001)

RADIATORS
- ADL / Dennis; R Series, Trident

TEL: +44 (0) 121 700 5600 - FAX: +44 (0) 121 700 5601 - E-MAIL: sales@graysonts.com - WEB: www.graysonts.com



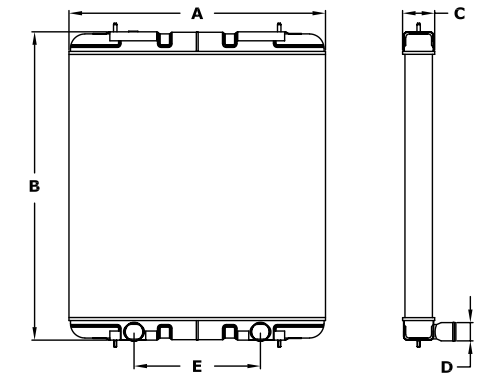
A	1075mm
B	690mm
C	110mm
D	57mm

Drawing No. 1037 OE References:

Part No. RR3DN800/1

Description: R Series Coach (Euro 2/3), Single Deck, M11 404HP / ISM 420HP

Comments: Fast Fit Cassette Insert, Intercooled (IU3DN800)



A	710mm
B	806mm
C	89mm
D	51mm
E	350mm

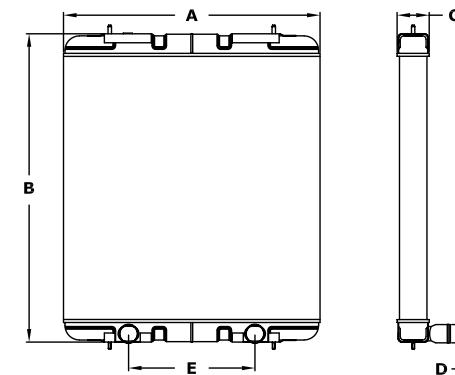
Aluminium Version: GK-2505-000
Supplied With Bottom Rail Fitting Kit

Drawing No. 1038 OE References: 427381

Part No. RR3DN502/1

Description: Trident 2 Mk 1 (Euro 2), Double Deck, C Series upto 245HP

Comments: Fast Fit Cassette Unit, Located Nearside Rear, Intercooled (IU3DN500/1), 1998 - 99



A	710mm
B	806mm
C	89mm
D	51mm
E	350mm

Drawing No. 1039 OE References:

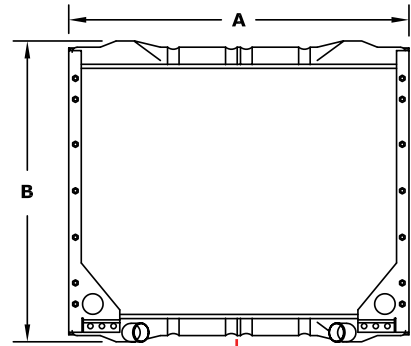
Part No. RR3DN502/1

Description: Trident 2 Mk2 (Euro 3), Double Deck, C Series upto 245HP, Euro 3 Intercooler, IU3DN501/1

Comments: Fast Fit Cassette Insert, Located Nearside Rear, Intercooled (IU3DN501/1)

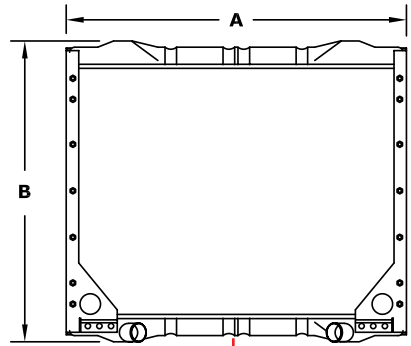
RADIATORS
- Leyland - MAN

TEL: +44 (0) 121 700 5600 - FAX: +44 (0) 121 700 5601 - E-MAIL: sales@graysonts.com - WEB: www.graysonts.com



Single Bottom Tank with Baffle

A	820mm
B	725mm
C	95mm
D	45mm



Twin Bottom Tank with Baffle

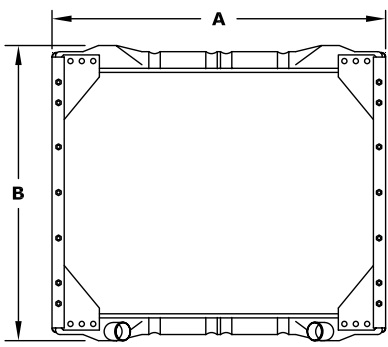
A	820mm
B	725mm
C	95mm
D	45mm

Drawing No. 1040	OE References: RD80, 8112677-3
Part No. RR3LB004	

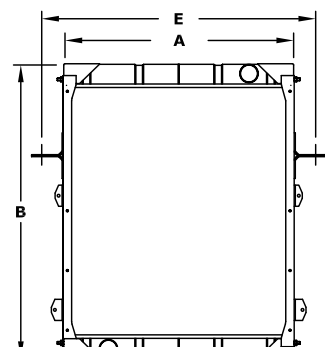
Description: Single Deck Lynx 2, Double Deck Olympian
Comments: Original Version, Located at Front, Non Intercooled

Drawing No. 1041	OE References:
Part No. RR3LB004/3	

Description: Olympian 2 Double Deck, 4 Row Split Tanks
Comments: Original Version, Located at Front, Non Intercooled



A	820mm
B	725mm
C	90mm
D	45mm



A	658mm
B	850mm
C	90mm
D	51mm
E	780mm

Drawing No. 1042	OE References: RD77, RD79, NLK4557, NRK5616
Part No. RR3LB003	

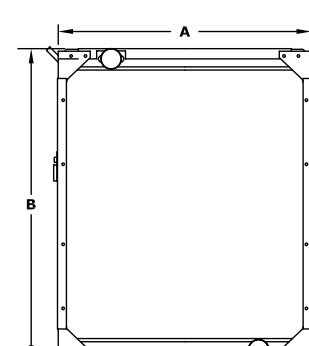
Description: Single Deck: Tiger, Lynx, National 2
Double Deck: Olympian
Comments: Original Version, Located at Front, Non Intercooled

Drawing No. 1043	OE References: 8106.1016.394
Part No. RR3MN001	

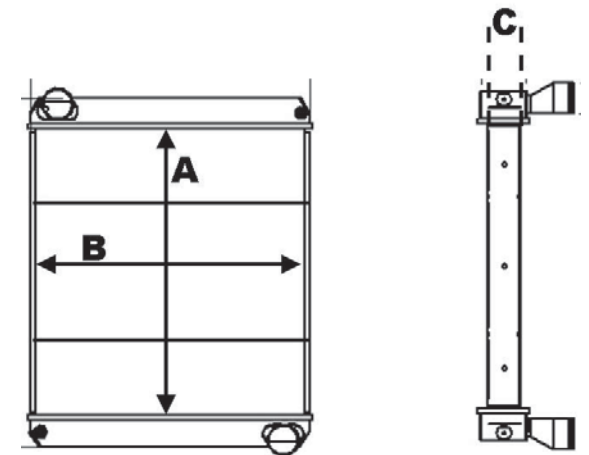
Description: MAN Vecta Single Deck
Comments: Original Version, Located Nearside Rear, Intercooled

RADIATORS
- MAN

TEL: +44 (0) 121 700 5600 - FAX: +44 (0) 121 700 5601 - E-MAIL: sales@graysonts.com - WEB: www.graysonts.com



A	798mm
B	978mm
C	114mm
D	63.5mm



A	810mm
B	730mm
C	42mm

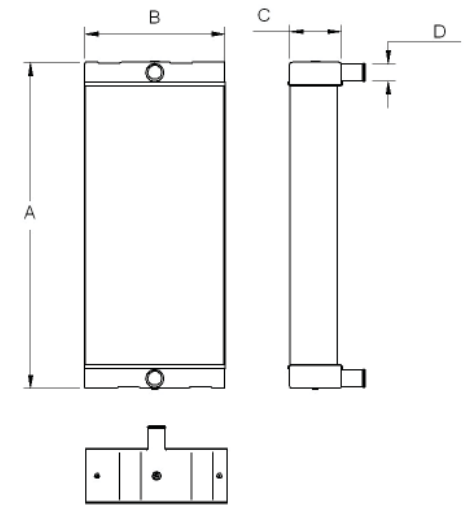
Drawing No. 1044	OE References:
Part No. RR3MN002	

Description: 18:220 Bus / Coach, Single Deck / Double Deck
Comments: Original Version, Located Nearside Rear, Intercooled (IU3MN001)

Drawing No. 1045	OE References: 8106.101.6514
Part No. RR-1080-000	

Description: 18.220 Euro 4
Comments:

Drawing Currently Unavailable



A	972mm
B	418mm
C	155mm
D	51mm

NOTE: CORE 130mm

Drawing No. 1046	OE References: 8106101.6443 / 8106.101.6449 / 8506.101.6006
Part No. RR-1074-000	

Description: 14.220 LF Bus
Comments:

Drawing No. 1047	OE References: 446263-1
Part No. RR-1093-000	

Description: E400
Comments:

RADIATORS

- MAN

TEL: +44 (0) 121 700 5600 - FAX: +44 (0) 121 700 5601 - E-MAIL: sales@grayson.com - WEB: www.grayson.com

Drawing Currently Unavailable

Drawing Currently Unavailable

Drawing No. 1048	OE References: 8106.101.6403
Part No. RR-2140-000	

Drawing No. 1049	OE References:
Part No. RR-2170-000	

Description: 11.220

Description: E400

Comments:

Comments:

Drawing Currently Unavailable

Drawing Currently Unavailable

Drawing No. 1050	OE References: 8106.101.6527
Part No. RR-2518-000	

Description: 18.220

Comments:

RADIATORS

- Mercedes

TEL: +44 (0) 121 700 5600 - FAX: +44 (0) 121 700 5601 - E-MAIL: sales@grayson.com - WEB: www.grayson.com

A	687mm
B	795mm
C	34mm

A	400mm
B	750mm
C	630mm
D	370mm

Drawing No. 1051	OE References: 357.501.1301 / 2201
Part No. RR3ME002	

Drawing No. 1052	OE References: 668.000.201.77, 668.5000.301.77, 668.5000.701
Part No. RR7ME010	

Description: 0405 Radiator (Euro 1/ 2) Single Deck

Description: 609 /709 / 811 Radiator, Manual Version, Single Deck Mini Bus

Comments: Original Version, Located Offside Rear, Intercooled

Comments: Copper Brass Version, Located at Front, Non Intercooled

Drawing Currently Unavailable

A	732mm
B	627mm
C	75mm
D	45mm

Drawing No. 1053	OE References: 668.5000.102
Part No. RR7ME011	

Drawing No. 1054	OE References:
Part No. RR-1044-000	

Description: Vario Single Deck Mini Bus

Description: Citaro Euro 3 Insert

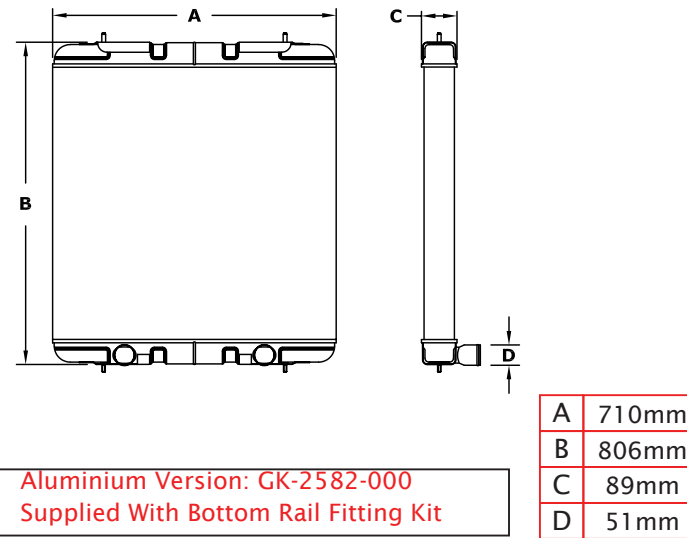
Comments: Original Version, Located at Front, Intercooled (IU7ME002)

Comments:

RADIATORS
- Neoplan - Optare

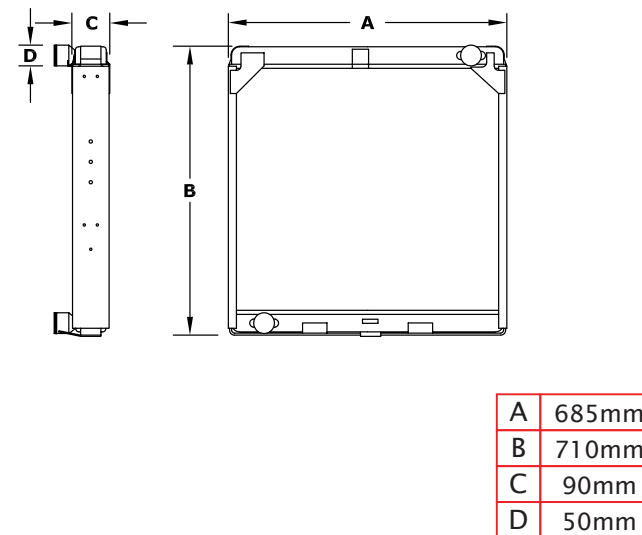
TEL: +44 (0) 121 700 5600 - FAX: +44 (0) 121 700 5601 - E-MAIL: sales@grayson.com - WEB: www.grayson.com

Currently Unavailable
Re-Core Only



Drawing No. 1055	OE References:	Drawing No. 1056	OE References:
Part No. RR-1059-000		Part No. RR3OP020/1	
Description: Skyliner		Description: Excel Euro 2, Mercedes Engine, Single Deck	
Comments:		Comments: Fast Fit Cassette Insert, Located Offside Rear, Intercooled (IU3OP020/1)	

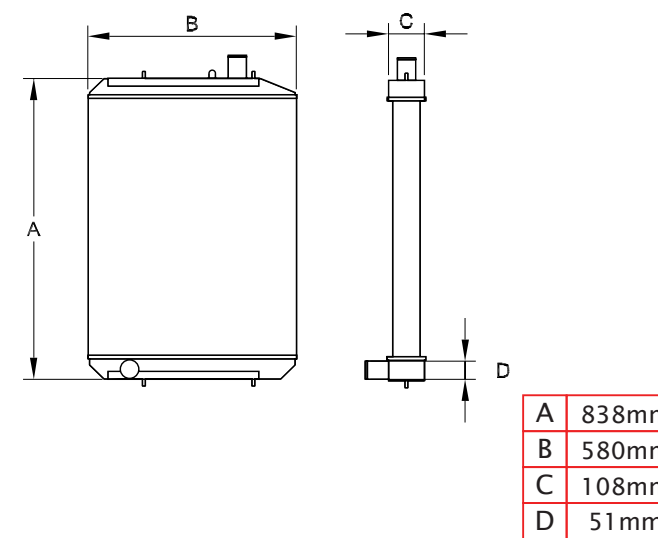
Currently Unavailable
Re-Core Only



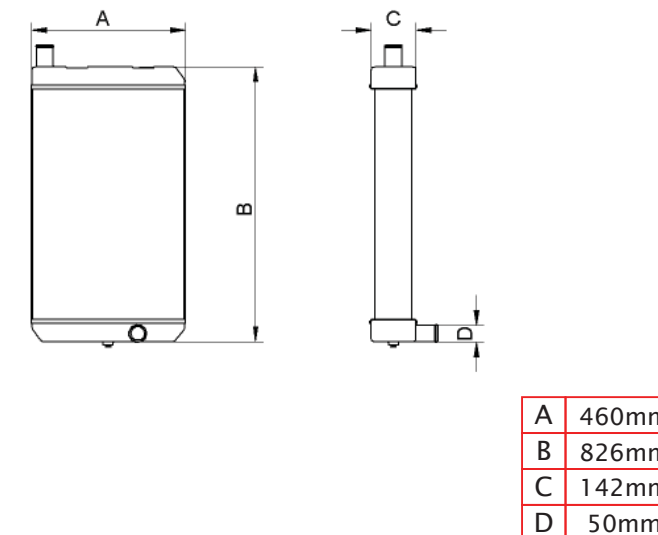
Drawing No. 1057	OE References:	Drawing No. 1058	OE References:
Part No. RR3OP003		Part No. RR3OP002	X3404206
Description: Excel Euro 2, Cummins Engine, Single Deck		Description: Metrorider, Single Deck Mini Bus	
Comments: Original Unit, Located Offside Rear, Intercooled (IU3OP001)		Comments: Original Unit Located at Front, Intercooled (IU3OP010)	

RADIATORS
- Optare

TEL: +44 (0) 121 700 5600 - FAX: +44 (0) 121 700 5601 - E-MAIL: sales@grayson.com - WEB: www.grayson.com



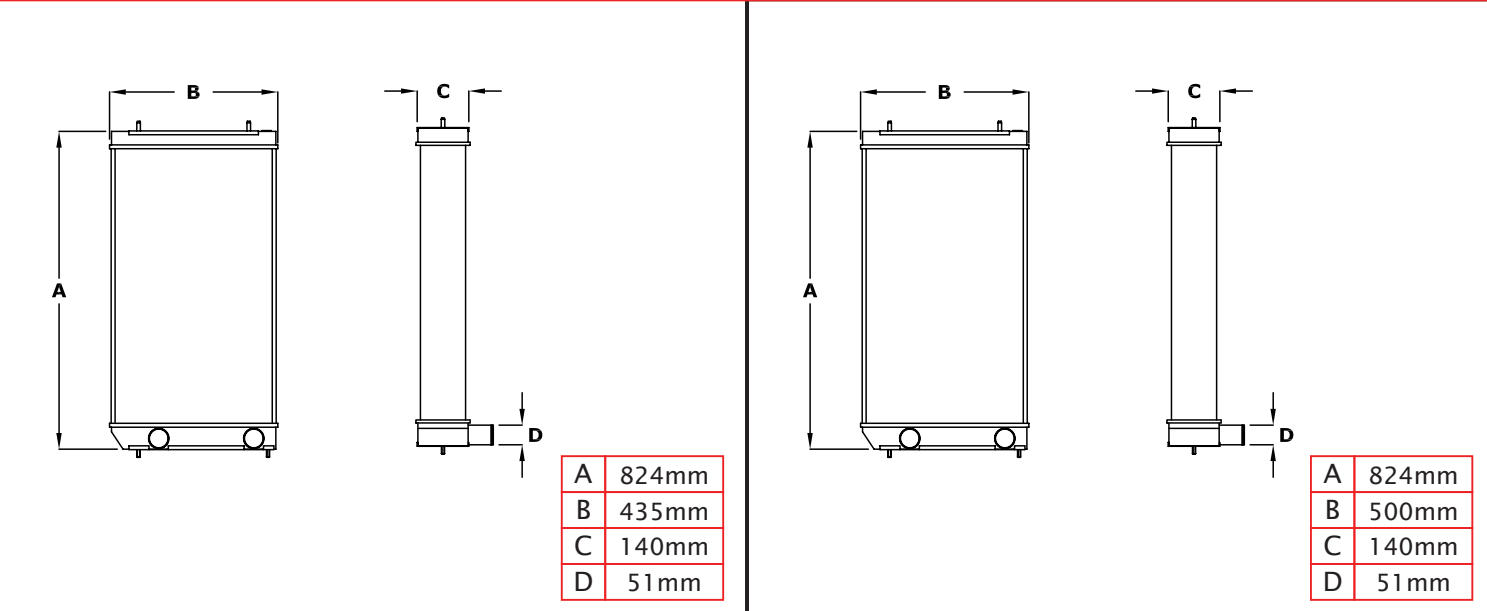
Drawing No. 1059	OE References:	Drawing No. 1060	OE References:
Part No. RR3OP121	R34000203	Part No. RR3OP005	R3400049
Description: Solo Insert, Cummins Engine Euro 3		Description: Solo Insert, Euro 2/3 SV, Euro 4/5, Single Deck Mini Bus, Mercedes Engine	
Comments:		Comments: Fast Fit Cassette Insert, Located Offside Rear, Intercooled (IU3OP005)	



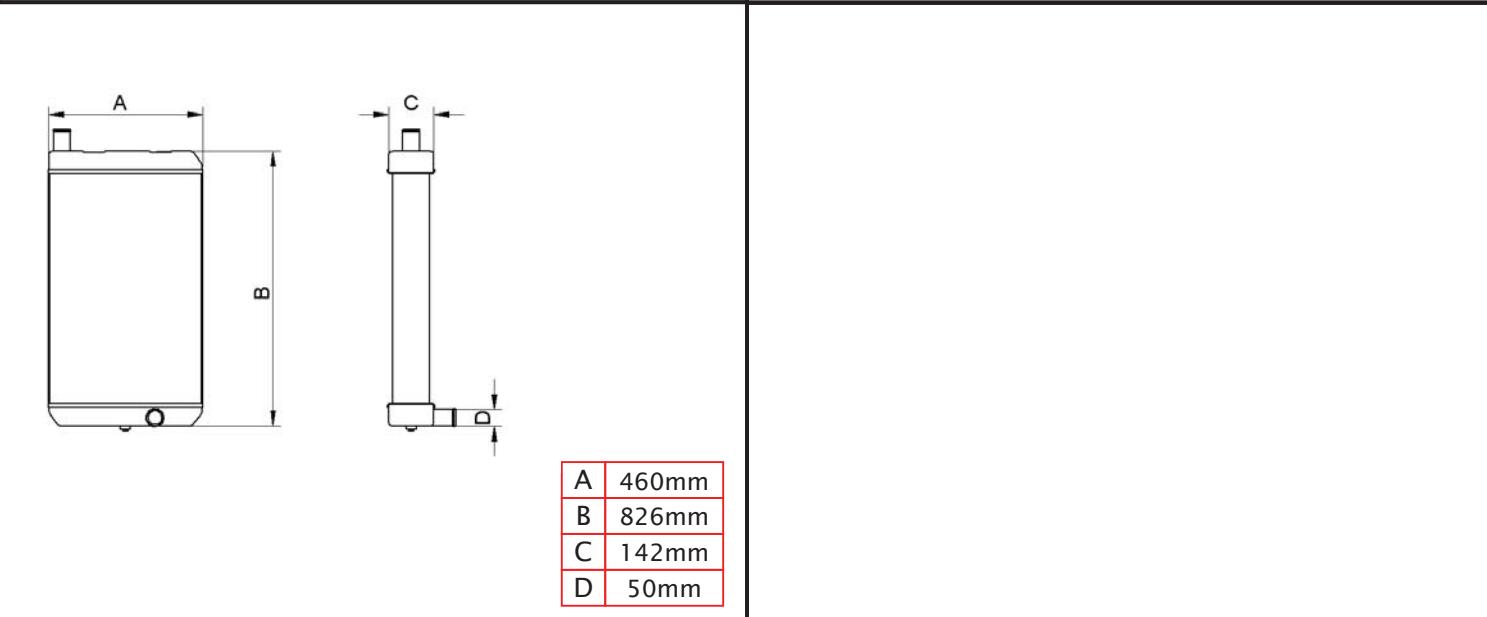
Drawing No. 1061	OE References:	Drawing No. 1062	OE References:
Part No. RR-1022-000		Part No. RR-1024-000	
Description: Solo - MAN / Mercedes / Cummins Euro 4 Engine		Description: Tempo Euro 4	
Comments:		Comments:	

RADIATORS
- Optare

TEL: +44 (0) 121 700 5600 - FAX: +44 (0) 121 700 5601 - E-MAIL: sales@graysonts.com - WEB: www.graysonts.com



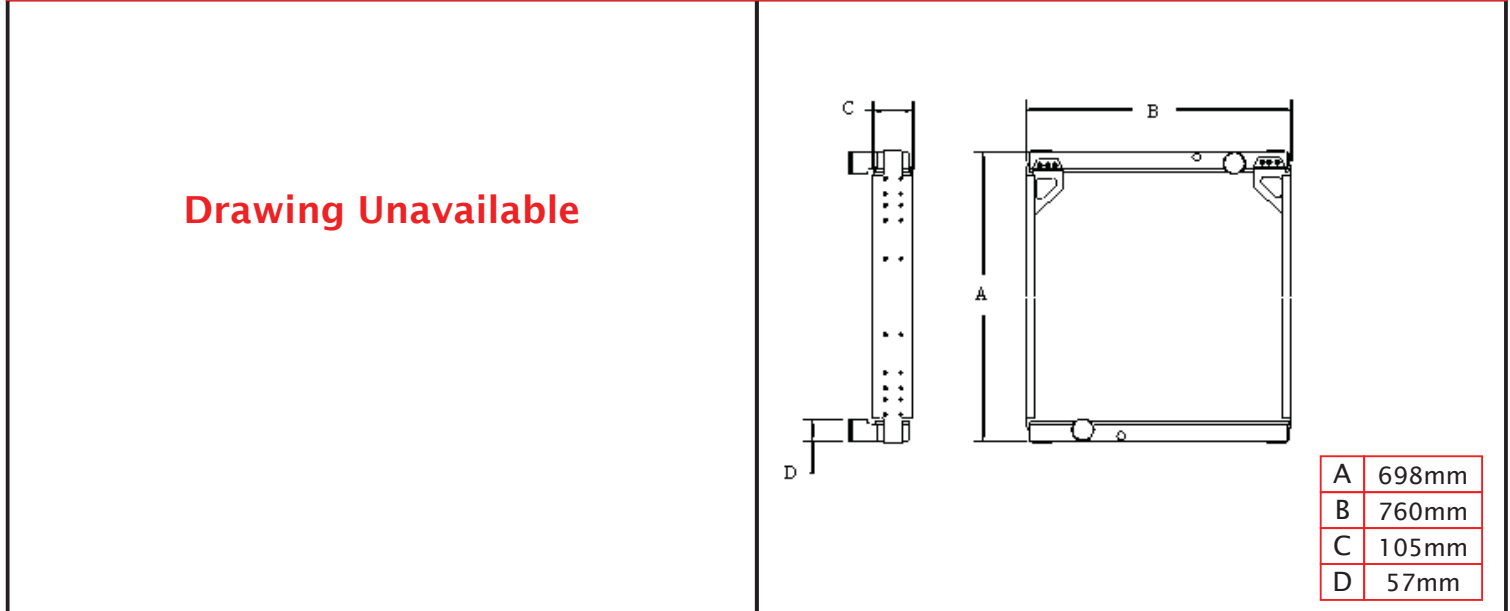
Drawing No. 1053	OE References:	Drawing No. 1064	OE References:
Part No. RR-1009-000		Part No. RR3OP400	
Description: Tempo Euro 3		Description: Tempo	
Comments: Chassis 20 Onwards		Comments: Upto Chassis 20	



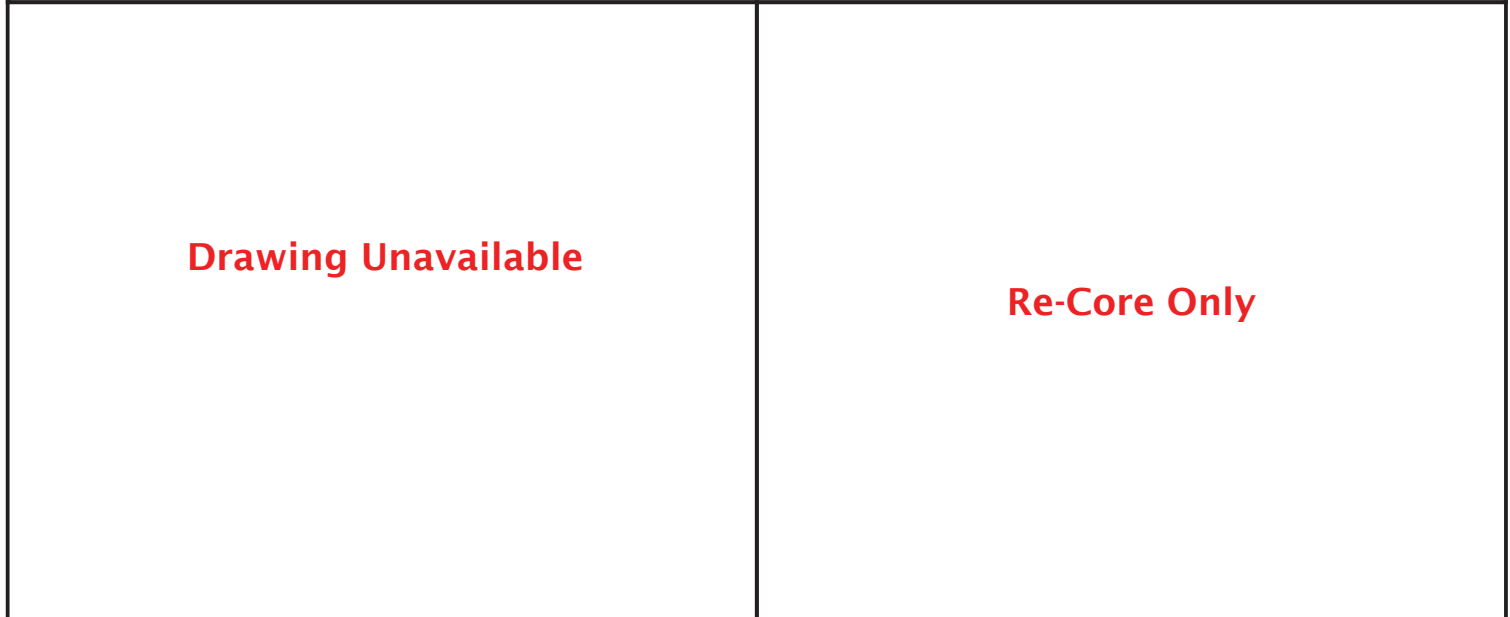
Drawing No. 1065	OE References:
Part No. RR-1022-000	
Description: Versa - MAN / Mercedes / Cummins Euro 4 Engine	
Comments:	

RADIATORS
- Scania

TEL: +44 (0) 121 700 5600 - FAX: +44 (0) 121 700 5601 - E-MAIL: sales@graysonts.com - WEB: www.graysonts.com



Drawing No. 1066	OE References: 057043, 457035	Drawing No. 1067	OE References: 461905
Part No. RR3SC007		Part No. RR3SC010	
Description: Scania L94 / N94 Single Deck		Description: Scania L113 Single Deck	
Original Version, Located Nearside Rear, Intercooled (IU3SC007)		Comments Original Version, Located Offside Rear, Intercooled (IU3SC007)	



Drawing No. 1068	OE References: 438295	Drawing No. 1069	OE References:
Part No. RR3SC002/50		Part No. RR-2171-000	
Description: Scania N113 Single / Double Deck		Description: Omnidekka	
Comments: Original Version, Located Offside Centre, Non Intercooled		Comments: RE-CORE ONLY	

RADIATORS
- Scania - Setra - Wrightbus

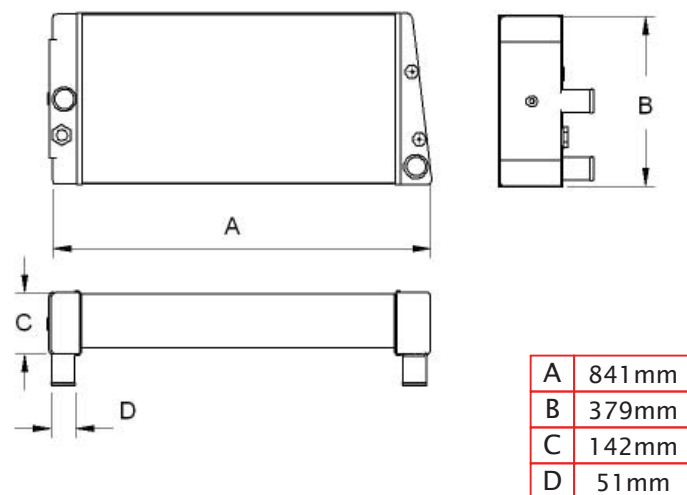
TEL: +44 (0) 121 700 5600 - FAX: +44 (0) 121 700 5601 - E-MAIL: sales@graysonts.com - WEB: www.graysonts.com

Currently Unavailable
Re-Core Only

Currently Unavailable
Re-Core Only

Drawing No. 1070	OE References: 1798689	Drawing No. 1071	OE References:
Part No. RR-2487-000		Part No. RR-2170-000	
Description: Omnicity		Description: Enviro 400	
Comments:		Comments:	

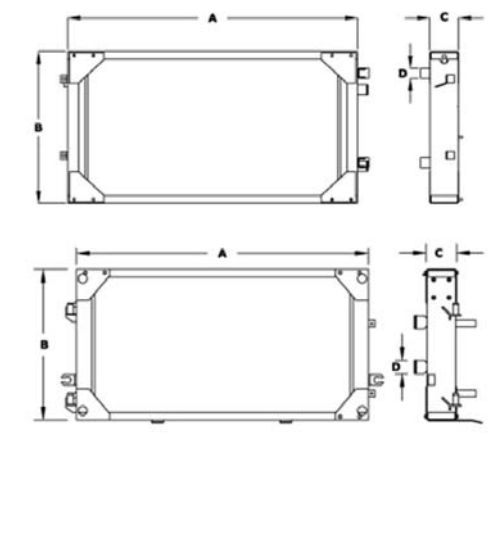
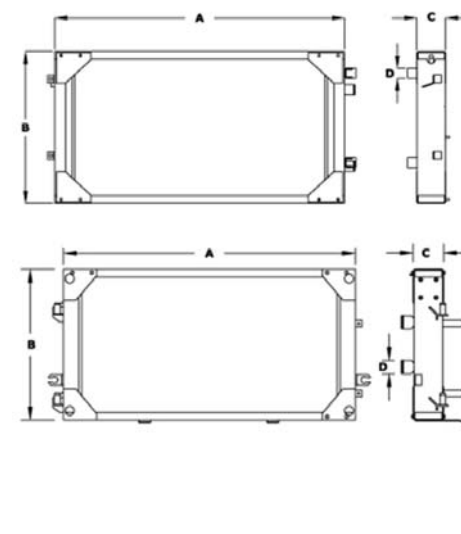
Currently Unavailable
Re-Core Only



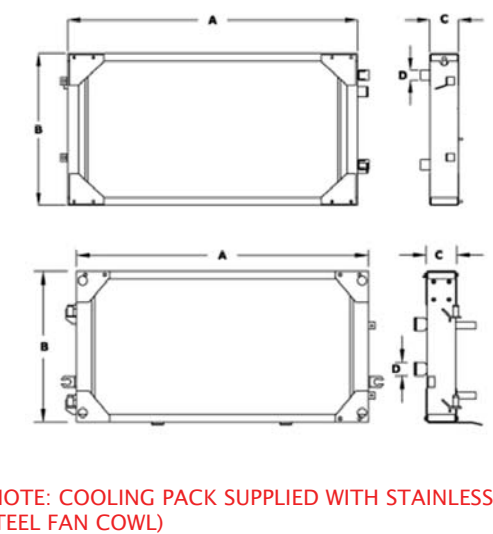
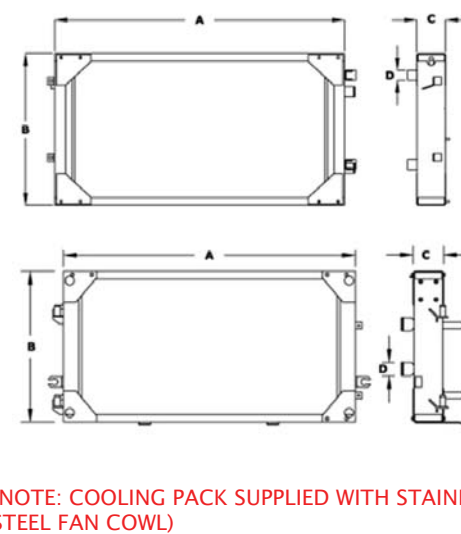
Drawing No. 1072	OE References:	Drawing No. 1073	OE References:
Part No. RR-1081-000		Part No. RR-2082-000	
Description: Kassboher		Description: Wrightbus ISBe4 185HP	
Comments:		Comments:	

RADIATORS
- Volvo

TEL: +44 (0) 121 700 5600 - FAX: +44 (0) 121 700 5601 - E-MAIL: sales@graysonts.com - WEB: www.graysonts.com



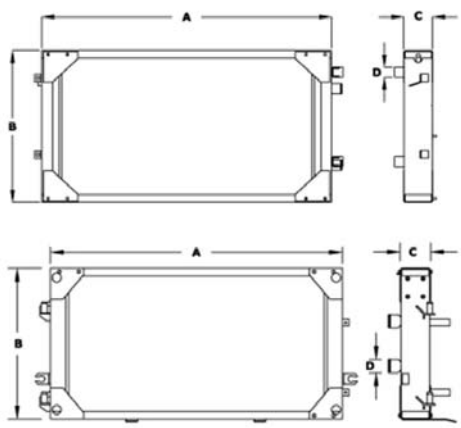
Drawing No. 1074	OE References:	Drawing No. 1075	OE References:
Part No. CP3VL013/1		Part No. CP3VL013/2	
Description: B10B / B10L / B10M Mk4, Single Deck, Cooling Pack with Mild Steel Frames		Description: B10B / B10L / B10M Mk4, Single Deck, Cooling Pack with Stainless Steel Frames	
Comments: Original Version, Located Offside & Nearside, Water Cooled		Comments: Original Version, Located Offside & Nearside, Water Cooled	



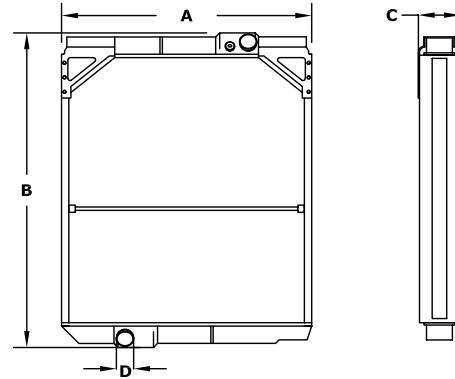
Drawing No. 1076	OE References:	Drawing No. 1077	OE References:
Part No. CP3VL013/3		Part No. CP3VL013/4	
Description: B10B / B10L / B10M Mk4, Single Deck, Cooling Pack with Metal Fan Cowl & Stainless Steel Frames		Description: B10B / B10L / B10M Mk4, Single Deck, Cooling Pack with Metal Fan Cowl & Mild Steel Frames	
Comments: Original Version, Located Offside & Nearside, Water Cooled		Comments: Original Version, Located Offside & Nearside, Water Cooled	

RADIATORS
- Volvo

TEL: +44 (0) 121 700 5600 - FAX: +44 (0) 121 700 5601 - E-MAIL: sales@graysonts.com - WEB: www.graysonts.com



A	1135mm
B	591mm
C	113mm
D	mm



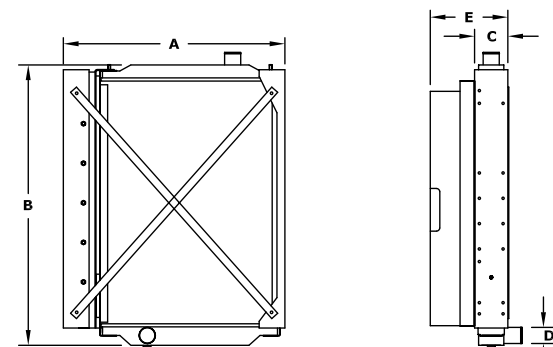
A	700mm
B	885mm
C	116mm
D	51mm

Drawing No. 1078	OE References:
Part No. CP3VL013/5	

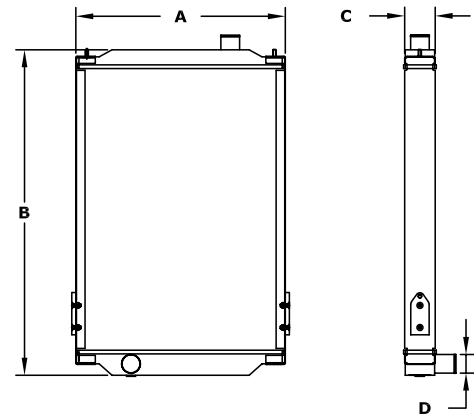
Drawing No. 1079	OE References:
Part No. RR3VL006	8112822

Description: B10BLE, Single Deck, Cooling Pack with Mild Steel Frames & Plastic Fan Cowls
Comments: Original Version, Located Offside & Nearside, Water Cooled

Description: B6R / B6LE Radiator, Single Deck
Comments: Original Version, Located Nearside Rear Intercooled (IU3VL006)



A	700mm
B	885mm
C	105mm
D	51mm
E	245mm



A	570mm
B	895mm
C	83mm
D	51mm

Drawing No. 1080	OE References:
Part No. RR3VL600	

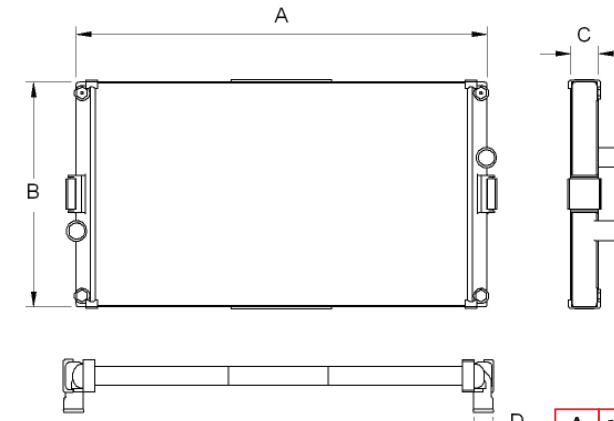
Drawing No. 1081	OE References:
Part No. RR3VL602	

Description: B6R / B6RLE Radiator, Single Deck
Comments: Fast Fit Cassette Unit, Located Nearside Rear, Intercooled (IU3VL006)

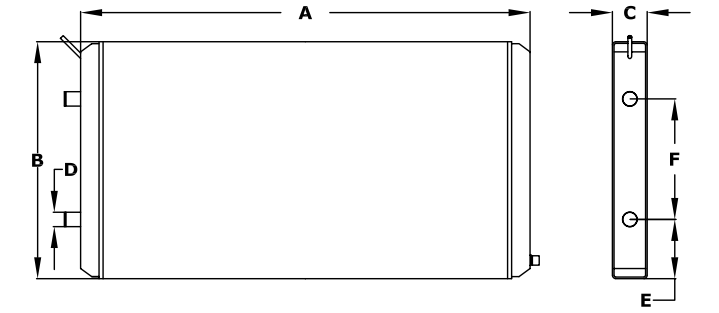
Description: B6R / B6LE Radiator, Single Deck, Insert for RR3VL600
Comments: Fast Fit Cassette Insert, Located Nearside Rear, Intercooled (IU3VL006)

RADIATORS
- Volvo

TEL: +44 (0) 121 700 5600 - FAX: +44 (0) 121 700 5601 - E-MAIL: sales@graysonts.com - WEB: www.graysonts.com



A	1070mm
B	585mm
C	71mm
D	50mm



A	1100mm
B	580mm
C	85mm
D	35mm
E	145mm
F	295mm

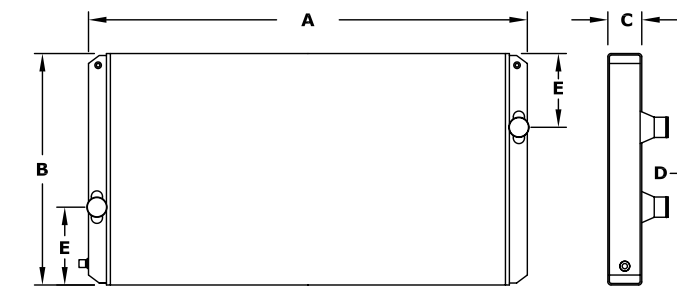
Aluminium Version: GK-2641-000
Supplied With Bottom Rail Fitting Kit

Drawing No. 1082	OE References:
Part No. RR-1046-010	8113478

Drawing No. 1083	OE References:
Part No. IU3VL014	8112577

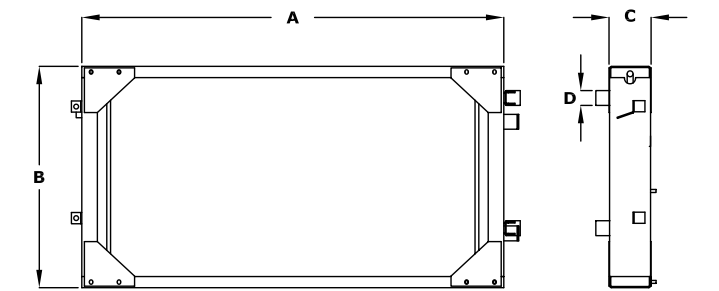
Description: B7TL / B9 / B10B LE / B12M, Single / Double Deck, Located Nearside Centre
Comments: Aluminium Version, Located Offside Rear, Intercooled

Description: B10B / LE / L / M MK4, Outer Water Radiator, Located Nearside
Comments: Original Version, Located Offside, Water Cooled



A	1000mm
B	580mm
C	85mm
D	51mm
E	195mm

Aluminium Version: GK-2641-000
Supplied With Bottom Rail Fitting Kit



A	1140mm
B	584mm
C	118mm
D	51mm

Drawing No. 1084	OE References:
Part No. RR3VL014	3034564, 85000167, 8113478

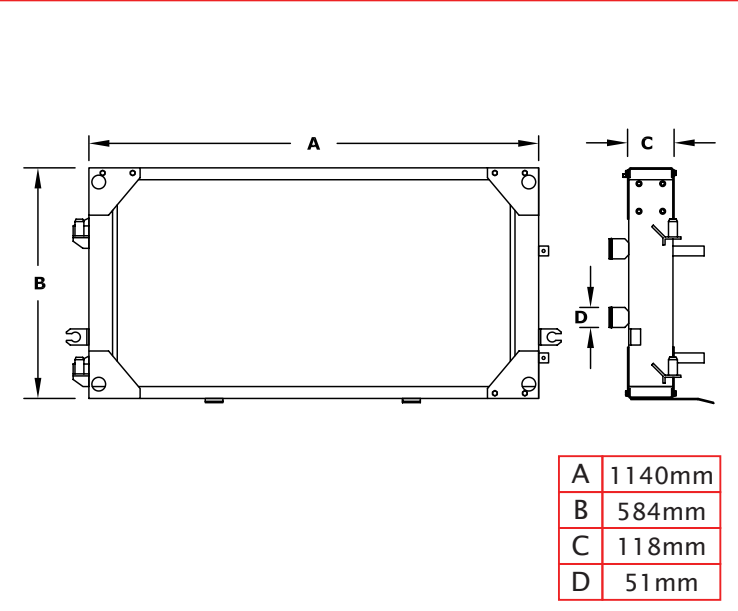
Drawing No. 1085	OE References:
Part No. IU3VL013/1 *(IU3VL013/2)	8112577

Description: B10B / LE / L / M MK4, Single Deck, Inner Water Radiator
Comments: Original Version, Located Offside Rear, Water Cooled

Description: B10B / LE / L / M MK4, Outer Water Radiator with Mild Steel Frames *(IU3VL013/2 with Stainless Frames)
Comments: Original Version, Located Offside / Nearside, Water Cooled

RADIATORS
- Volvo

TEL: +44 (0) 121 700 5600 - FAX: +44 (0) 121 700 5601 - E-MAIL: sales@graysonts.com - WEB: www.graysonts.com

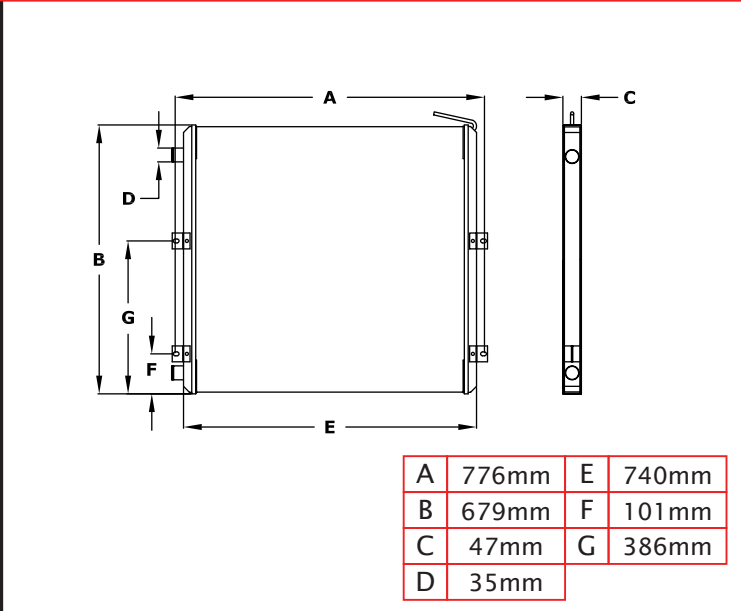


Drawing No. 1086
Part No. RR3VL013/1 *(RR3VL013/2)

OE References:
8112576, 8113478,
9516541

Description: B10B / LE / L / M MK4, Outer Water Radiator with Mild Steel Frames *(with Stainless Steel Frames)

Comments: Original Version, Located Offside / Nearside, Water Cooled

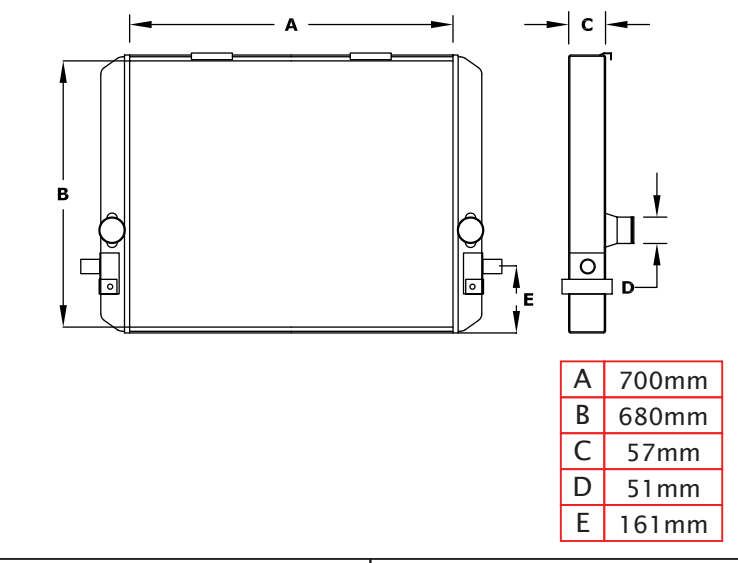


Drawing No. 1087
Part No. IU3VL001

OE References:
5003393, 85000037

Description: B10M MK3, Olympian, Single / Double Deck, Outer Water Radiator

Comments: Original Version, Located at Front, Water Cooled

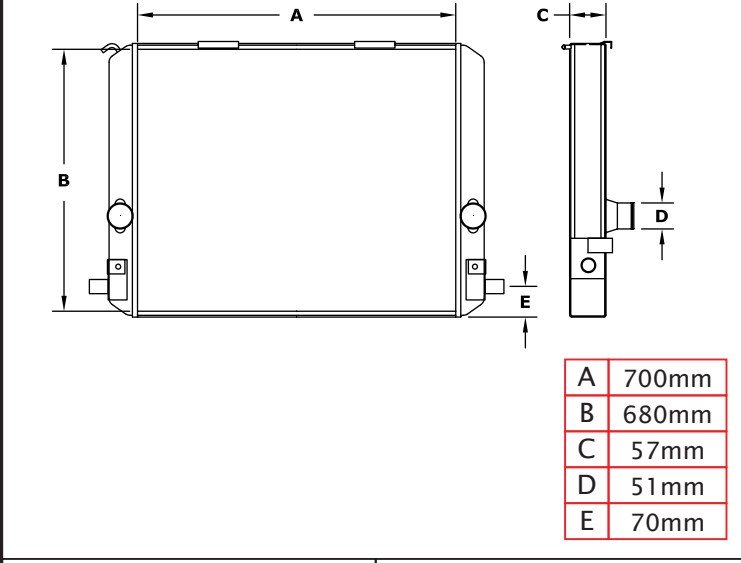


Drawing No. 1088
Part No. RR3VL010/2

OE References:
3208701, 9517543,
8112681

Description: B10M MK3, Intercooled, Single Deck

Comments: Cassette Unit, Located at Front, Intercooled (IU3VL001)



Drawing No. 1089
Part No. RR3VL011

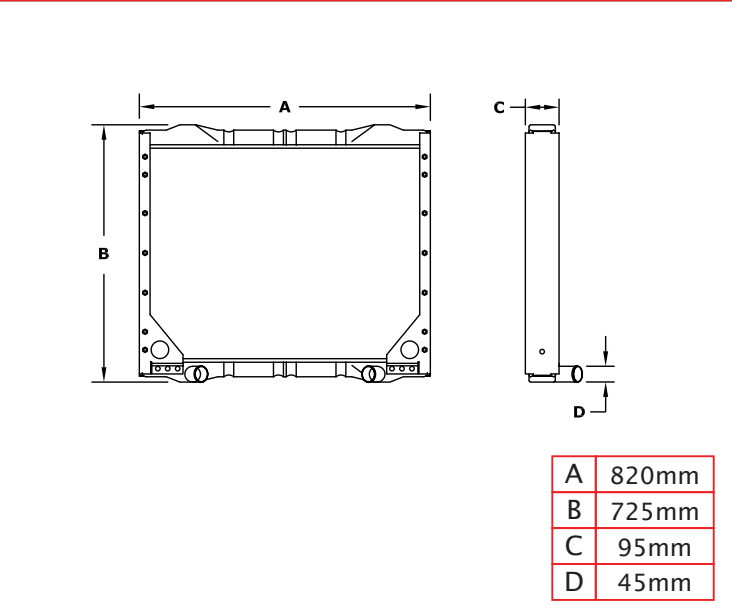
OE References:
3018818, 9518422,
811-2786, 5003265-5

Description: City Bus Radiator D10M, Double Deck

Comments: Original Version, Located at Front, Non Intercooled

RADIATORS
- Volvo

TEL: +44 (0) 121 700 5600 - FAX: +44 (0) 121 700 5601 - E-MAIL: sales@graysonts.com - WEB: www.graysonts.com



Drawing No. 1090
Part No. RR3LB004

OE References:

Description: Olympian Double Deck

Comments: Original Version, Located at Front, Water Cooled

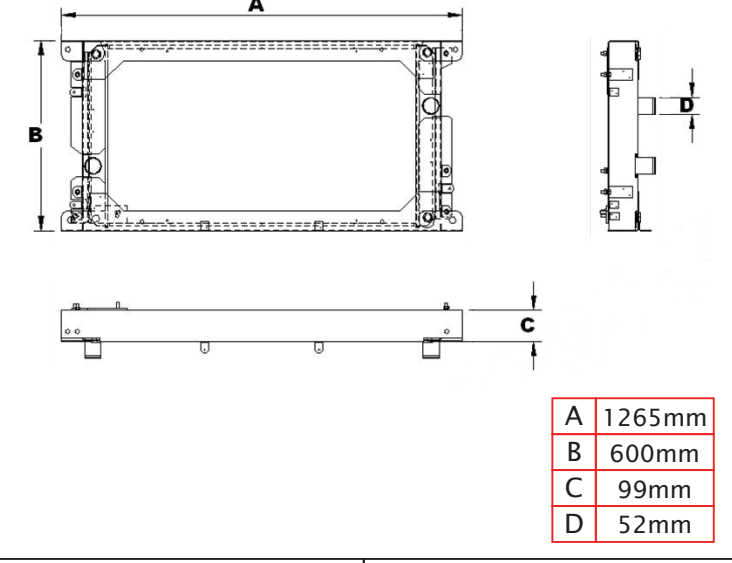
Drawing Currently Unavailable

Drawing No. 1091
Part No. RR-1023-000

OE References:

Description: B7R Single Deck

Comments: Original Version, Located Nearside Rear, Intercooled

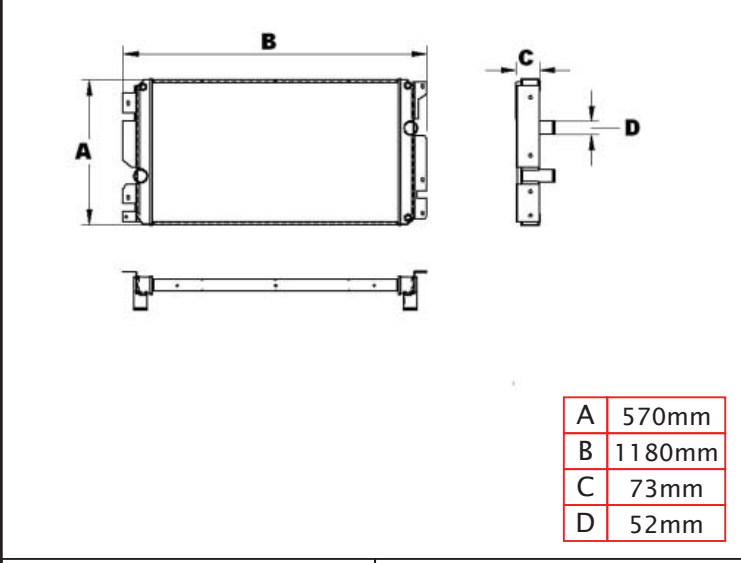


Drawing No. 1092
Part No. RR-1069-000

OE References:

Description: B7TL

Comments: Cassette 2 Radiator



Drawing No. 1093
Part No. RR-1069-027

OE References:

Description: B7TL

Comments: Cassette 2 Insert Radiator

RADIATORS

TEL: +44 (0) 121 700 5600 - FAX: +44 (0) 121 700 5601 - E-MAIL: sales@graysonts.com - WEB: www.graysonts.com

A	mm
B	mm
C	mm
D	mm

A	mm
B	mm
C	mm
D	mm

Drawing No. 1094	OE References:	Drawing No. 1095	OE References:
Part No.		Part No.	
Description:		Description:	
Comments:		Comments:	

A	mm
B	mm
C	mm
D	mm

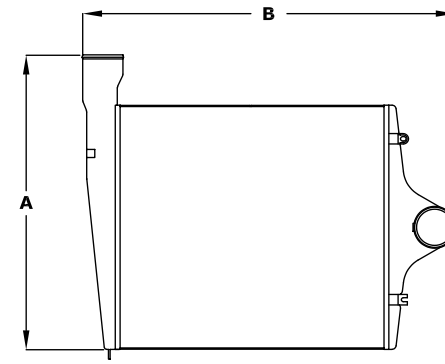
A	mm
B	mm
C	mm
D	mm

Drawing No. 1096	OE References:	Drawing No. 1097	OE References:
Part No.		Part No.	
Description:		Description:	
Comments:		Comments:	

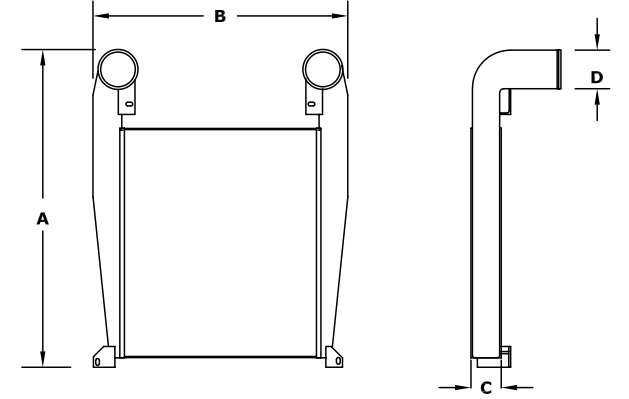
CHARGE AIR COOLERS

- DAF / VDL

TEL: +44 (0) 121 700 5600 - FAX: +44 (0) 121 700 5601 - E-MAIL: sales@graysonts.com - WEB: www.graysonts.com



A	732mm
B	929mm
C	80mm
D	100mm



A	815mm
B	674mm
C	80mm
D	102mm

Drawing No. 2001	OE References: 1197193	Drawing No. 2002	OE References: 1198161
Part No. IU3DF020		Part No. IU3DF030	
Description: DB250 Spectra, Double Deck		Description: SB220 GS, Single Deck	
Comments: Original Version, Located Offside Rear, Fits with RR3DF020		Comments: Original Version, Located Nearside Rear, Fits with RR3DF030	

Currently Unavailable
Re-Core Only

Currently Unavailable
Re-Core Only

Drawing No. 2003	OE References:	Drawing No. 2004	OE References:
Part No. AC-2180-000		Part No. AC-2181-000	
Description: SB3000		Description: SB4000	
Comments:		Comments:	

CHARGE AIR COOLER
- DAF / VDL - ADL

TEL: +44 (0) 121 700 5600 - FAX: +44 (0) 121 700 5601 - E-MAIL: sales@graysonts.com - WEB: www.graysonts.com

Currently Unavailable
Re-Core Only

Currently Unavailable
Re-Core Only

Drawing No. 2005
Part No. AC-2182-000

OE References:

Description: SB200

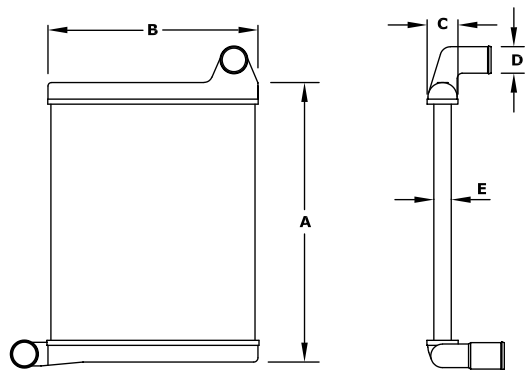
Comments:

Drawing No. 2006
Part No. AC-1078-000

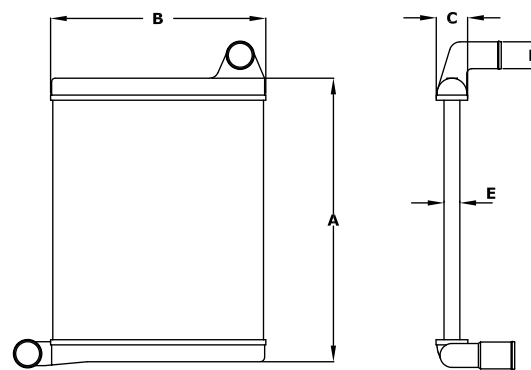
OE References:

Description: SB120

Comments:



A	805mm
B	612mm
C	86mm
D	76mm
E	50mm



A	805mm
B	612mm
C	89mm
D	76mm
E	45mm

Drawing No. 2007
Part No. IU3DN352/1

OE References:

Description: Dart Euro 3, Single Deck, 6 cyl

Comments: Original Version, Located Offside Rear, Fits with RR-1026-900

Drawing No. 2008
Part No. IU3DN353/1

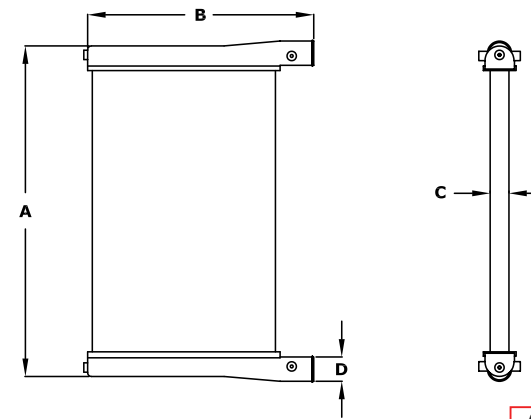
OE References: 430470-2

Description: Dart (Euro 3) Single Deck 4 cyl

Comments: Original Version, Located Offside Rear, Fits with RR-1027-900

CHARGE AIR COOLERS
- ADL / Dennis

TEL: +44 (0) 121 700 5600 - FAX: +44 (0) 121 700 5601 - E-MAIL: sales@graysonts.com - WEB: www.graysonts.com



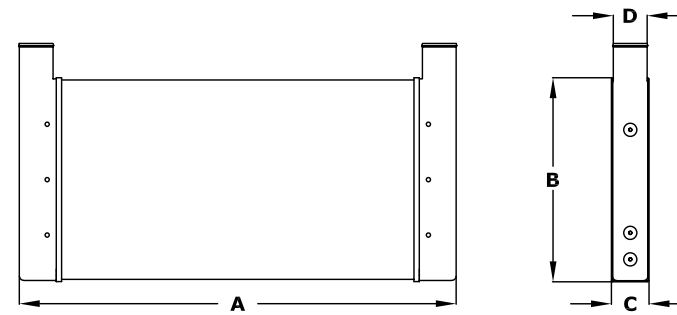
A	884mm
B	605mm
C	50mm
D	59mm

Drawing No. 2009
Part No. IU3DN026 / IU3DN251

OE References: 655939, 427008

Description: Dart SLF, Single Deck

Comments: Original Version, Located Offside Rear, Fits with RR3DN250/1 or RR3DN026



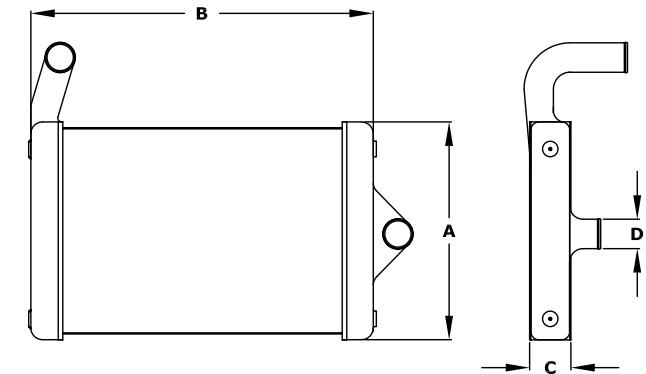
A	986mm
B	460mm
C	85mm
D	79mm

Drawing No. 2011
Part No. IU3DN100/1

OE References:

Description: Javelin (Euro 3 / 4) Intercooler Assy

Comments:



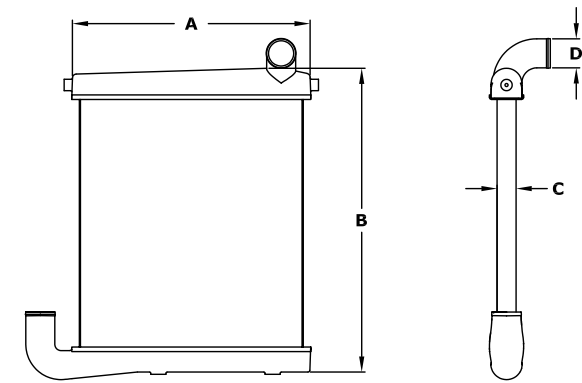
A	564mm
B	901mm
C	107mm
D	79mm

Drawing No. 2010
Part No. IU3DN012

OE References:

Description: Javelin, Single Deck

Comments: Original Specification, Located Nearside Rear, Fits with RR3DN022



A	628mm
B	795mm
C	50mm
D	78mm

Drawing No. 2012
Part No. IU3DN001

OE References: 415085

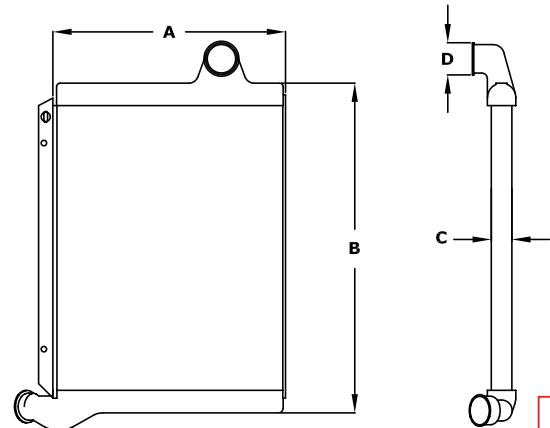
Description: Lance, Single Deck

Comments: Original Version, Located Offside Rear, Fits with RR3DN016 or RR3DN300

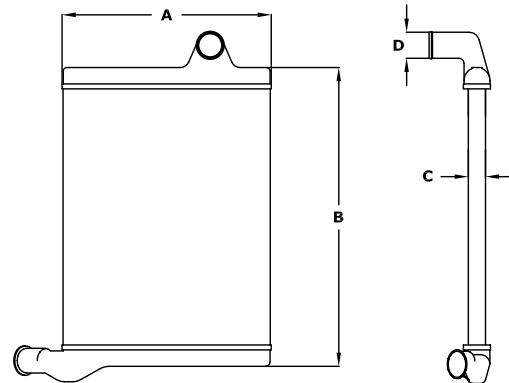
CHARGE AIR COOLER

- ADL / Dennis

TEL: +44 (0) 121 700 5600 - FAX: +44 (0) 121 700 5601 - E-MAIL: sales@graysonts.com - WEB: www.graysonts.com



A	621mm
B	880mm
C	55mm
D	85mm



A	612mm
B	874mm
C	50mm
D	80mm

Drawing No. 2013
Part No. IU3DN500/1

OE References: 426717, 425472-2

Description: Trident 2 (Euro 2) Double Deck

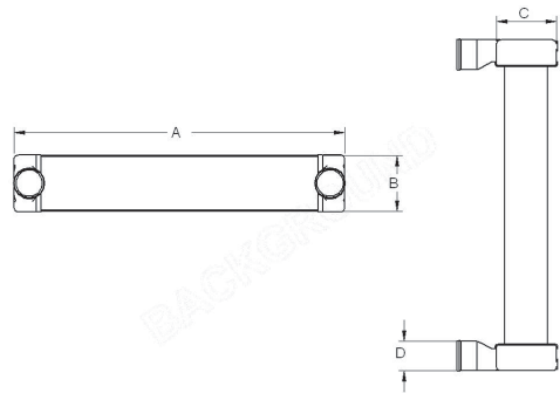
Comments: Original Version, Located Nearside Rear, Fits with RR3DN500/1

Drawing No. 2014
Part No. IU3DN501/1

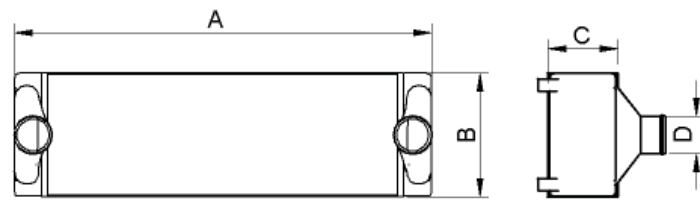
OE References: 403554

Description: Trident 2 (Euro 3) Double Deck

Comments: Original Version, Located Nearside Rear, Fits with RR3DN501/1



A	845mm
B	145mm
C	153mm
D	79mm



A	845mm
B	248mm
C	142mm
D	79mm

Drawing No. 2015
Part No. AC-1040-000

OE References:

Description: Enviro 200 - 4 Cylinder

Comments: Fits with RR-1006-000 / RR-1049-000

Drawing No. 2016
Part No. AC-1044-000

OE References:

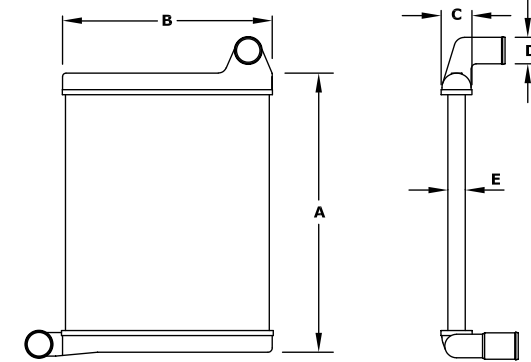
Description: Enviro 200 - 6 Cylinder

Comments: Fits with RR-1012-000 / RR-1050-000

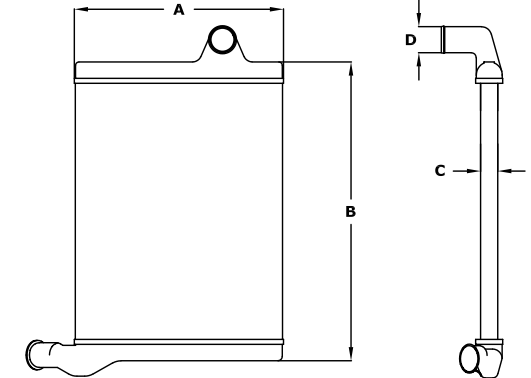
CHARGE AIR COOLERS

- ADL / Dennis

TEL: +44 (0) 121 700 5600 - FAX: +44 (0) 121 700 5601 - E-MAIL: sales@graysonts.com - WEB: www.graysonts.com



A	805mm
B	612mm
C	89mm
D	76mm
E	50mm



A	612mm
B	874mm
C	50mm
D	80mm

Drawing No. 2017
Part No. IU3DN352/1

OE References:

Description: Enviro 300, 2001 - 2007

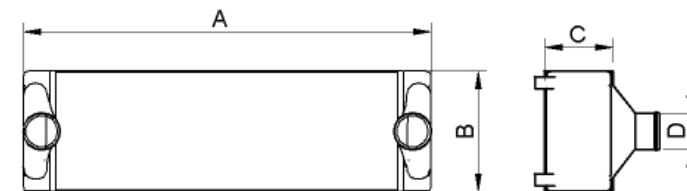
Comments:

Drawing No. 2018
Part No. IU3DN501/1

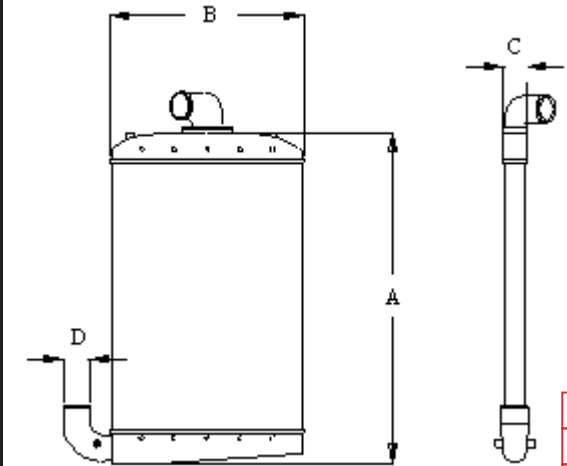
OE References:

Description: Enviro 400

Comments:



A	845mm
B	248mm
C	142mm
D	79mm



A	1075mm
B	644mm
C	63mm
D	79mm

Drawing No. 2019
Part No. AC-1044-000

OE References:

Description: Enviro 300 2008 >

Comments:

Drawing No. 2020
Part No. AC-1007-000

OE References:

Description: Enviro 500 Euro 3 / 4

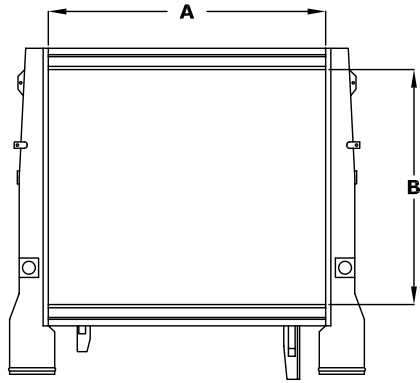
Comments:

CHARGE AIR COOLER
- MAN - Mercedes

CHARGE AIR COOLERS
- Mercedes - Neoplan

TEL: +44 (0) 121 700 5600 - FAX: +44 (0) 121 700 5601 - E-MAIL: sales@graysonts.com - WEB: www.graysonts.com

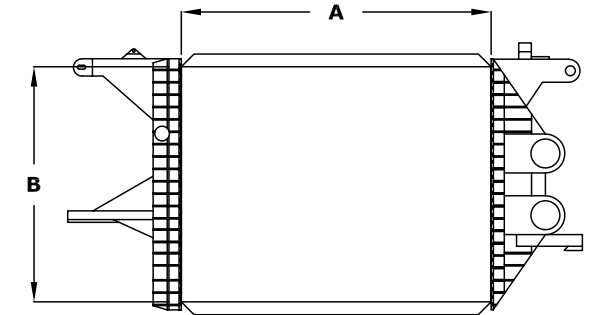
TEL: +44 (0) 121 700 5600 - FAX: +44 (0) 121 700 5601 - E-MAIL: sales@graysonts.com - WEB: www.graysonts.com



A	640mm
B	695mm
Core Depth	62mm

Currently Unavailable
Re-Core Only

Currently Unavailable
Re-Core Only



A	572mm
B	432mm

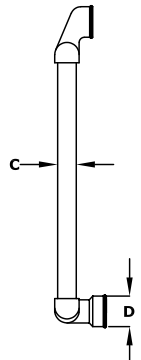
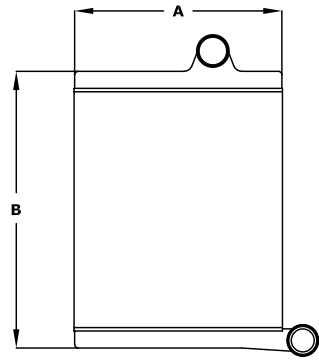
Drawing No. 2021	OE References: 81.06130.0186	Drawing No. 2022	OE References:
Part No. IU3MN001		Part No. AC-2183-000	
Description: 18.220		Description: 14.220	
Comments: Original Version, Located Nearside Rear, Fits with RR3MN002		Comments:	
Currently Unavailable Re-Core Only			
Drawing No. 2023	OE References:	Drawing No. 2024	OE References:
Part No. AC-2187-000		Part No. AC-1045-000	
Description: E400		Description: 0405	
Comments:		Comments:	

Drawing No. 2025	OE References:	Drawing No. 2026	OE References:
Part No. AC-1061-000		Part No. IU7ME002	6685000300
Description: Citaro - Euro 3		Description: Vario Single Deck Mini Bus	
Comments:		Comments: Original Version, Located At Front Fits with RR7ME011	
Currently Unavailable Re-Core Only			
Drawing No. 2027	OE References:		
Part No. AC-1079-000			
Description: Skyliner			
Comments: RE-CORE ONLY			

CHARGE AIR COOLERS

- Optare

TEL: +44 (0) 121 700 5600 - FAX: +44 (0) 121 700 5601 - E-MAIL: sales@graysonts.com - WEB: www.graysonts.com



A	611mm
B	815mm
C	50mm
D	90mm

Currently Unavailable
Re-Core Only

Drawing No. 2028
Part No. IU3OP020/1

OE References:

Description: Excel - Mercedes Engine, Single Deck

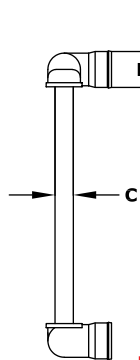
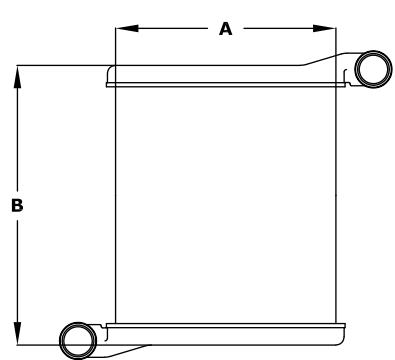
Comments: Original Version, Located Offside Rear, Fits with RR3OP020/1

Drawing No. 2029
Part No. IU3OP001

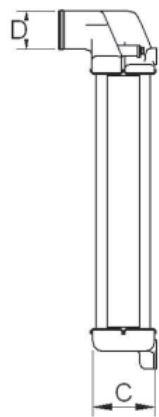
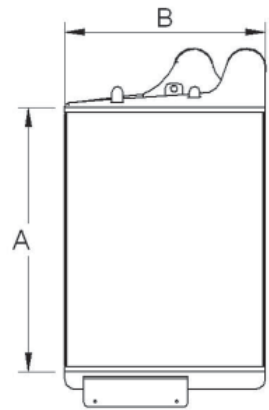
OE References:

Description: Excel - Cummins, Single Deck

Comments: Original Version, Located Offside Rear, Fits with RR3OP003



A	585mm
B	685mm
C	50mm
D	50mm



A	590mm
B	467mm
C	153mm
D	89mm

Drawing No. 2030
Part No. IU3OP005

OE References:
R3400047

Description: Solo / Euro 2 / 3 SE, Euro 4 / 5, Single Deck Mini Bus

Comments: Original Version, Located Offside Rear, Fits RR3OP005

Drawing No. 2031
Part No. AC-1048-000

OE References:

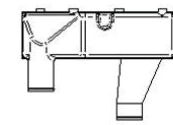
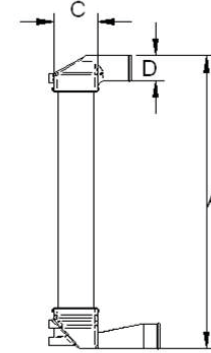
Description: Solo Euro 4 MAN / Merc Engine, Single Deck

Comments: Original Version

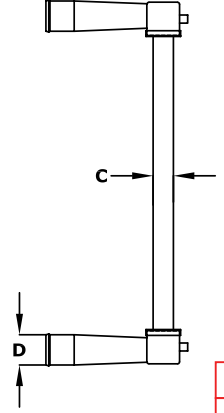
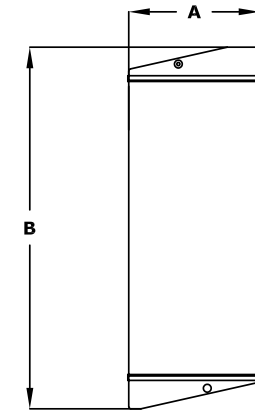
CHARGE AIR COOLERS

- Optare

TEL: +44 (0) 121 700 5600 - FAX: +44 (0) 121 700 5601 - E-MAIL: sales@graysonts.com - WEB: www.graysonts.com



A	889mm
B	463mm
C	142mm
D	76mm



A	895mm
B	329mm
C	86mm
D	76mm

Drawing No. 2032
Part No. AC-1049-000

OE References:

Description: Solo Euro 4 Cummins, Single Deck

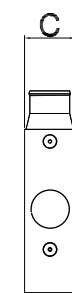
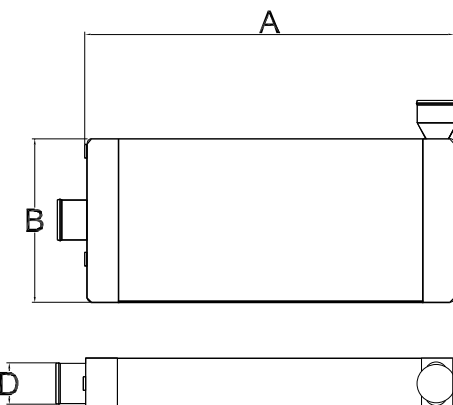
Comments: Original Version

Drawing No. 2033
Part No. IU3OP120

OE References:

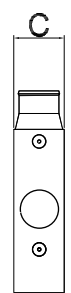
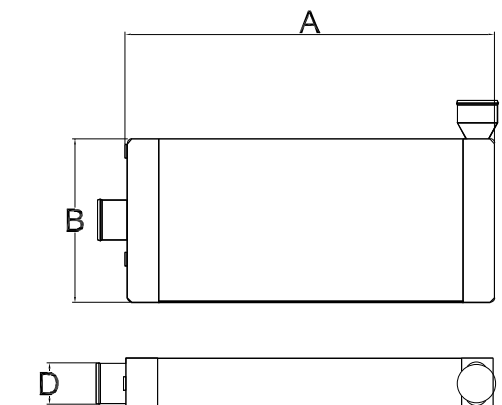
Description: Solo Euro 3 Cummins Engine

Comments: Cummins Euro 3 CAC, Original Version



OUTLET ON DIMENSION 'B' IS LOCATED CLOSER TO LOWER THAN SHOWN ON DRAWING.

A	817mm
B	305mm
C	113mm
D	92mm



A	817mm
B	364mm
C	113mm
D	92mm

Drawing No. 2034
Part No. AC-1023-000

OE References:

Description: Tempo Euro 3, 1st 20 Vehicles

Comments: Original Version

Drawing No. 2035
Part No. AC-1043-000

OE References:

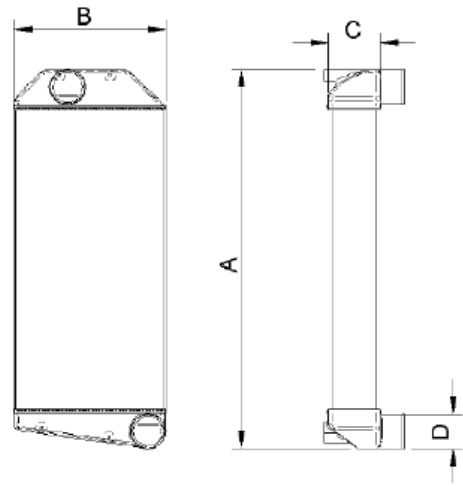
Description: Tempo Euro 3, Vehicle 20 onwards

Comments: Original Version

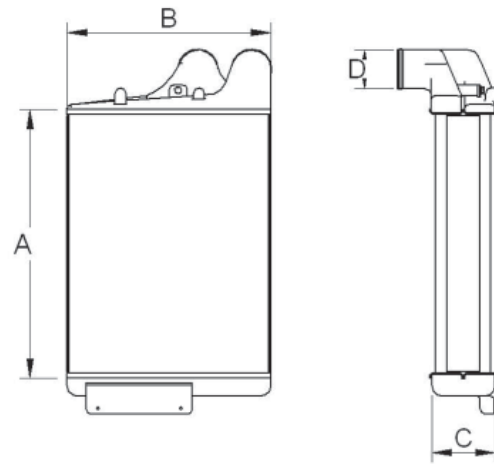
CHARGE AIR COOLERS

- Optare

TEL: +44 (0) 121 700 5600 - FAX: +44 (0) 121 700 5601 - E-MAIL: sales@graysonts.com - WEB: www.graysonts.com



A	954mm
B	393mm
C	142mm
D	89mm



A	590mm
B	467mm
C	153mm
D	89mm

Drawing No. 2036 OE References:

Part No. AC-1055-000

Description: Tempo Euro 4

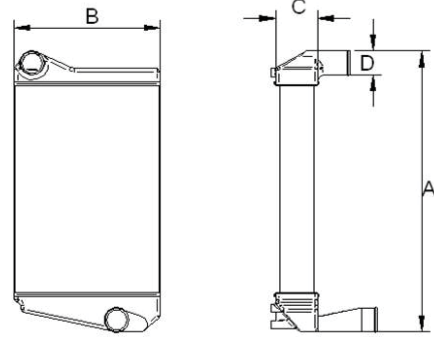
Comments: Original Version

Drawing No. 2037 OE References:

Part No. AC-1048-000

Description: Versa Euro 4 MAN / Mercedes Engine, Single Deck

Comments: Original Version



A	889mm
B	463mm
C	142mm
D	76mm

Drawing No. 2038 OE References:

Part No. AC-1049-000

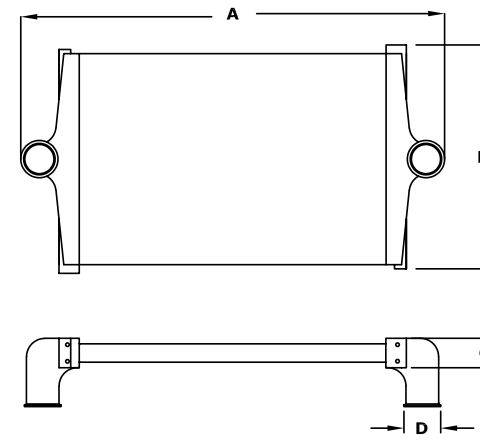
Description: Versa Euro 4, Cummins Engine

Comments: Original Version

CHARGE AIR COOLERS

- Scania

TEL: +44 (0) 121 700 5600 - FAX: +44 (0) 121 700 5601 - E-MAIL: sales@graysonts.com - WEB: www.graysonts.com



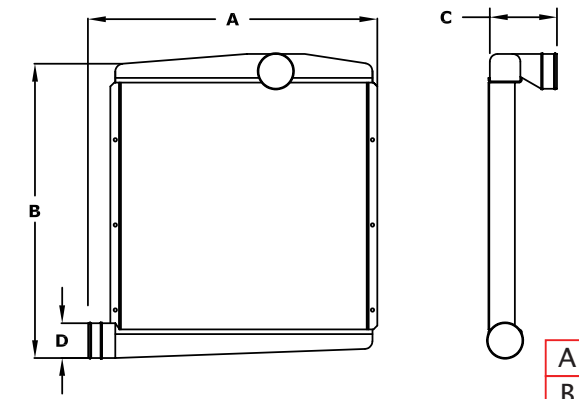
A	1156mm
B	610mm
C	80mm
D	89mm

Drawing No. 2039 OE References: 570483

Part No. IU3SC007

Description: L94 / N94

Comments: Original Version, Located Nearside Rear, Fits with RR3SC007



A	735mm
B	760mm
C	173mm
D	90mm

Drawing No. 2040 OE References: 570471

Part No. IU3SC003

Description: L113

Comments: Original Version, Located Offside Rear, Fits with RR3SC010

Currently Unavailable

Re-Core Only

Currently Unavailable

Re-Core Only

Drawing No. 2041 OE References:

Part No. AC-2184-000

Description: Onmicity

Comments: Original Version

Drawing No. 2042 OE References:

Part No. AC-2185-000

Description: Omnidekka

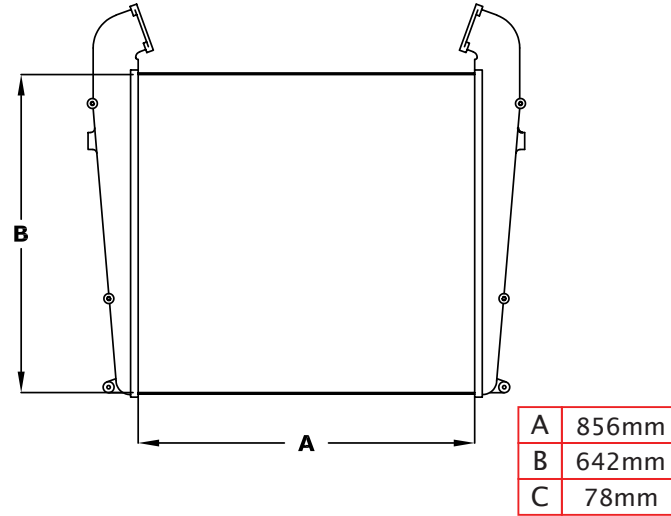
Comments:

CHARGE AIR COOLERS

- Scania - Volvo

TEL: +44 (0) 121 700 5600 - FAX: +44 (0) 121 700 5601 - E-MAIL: sales@graysonts.com - WEB: www.graysonts.com

Currently Unavailable
Re-Core Only

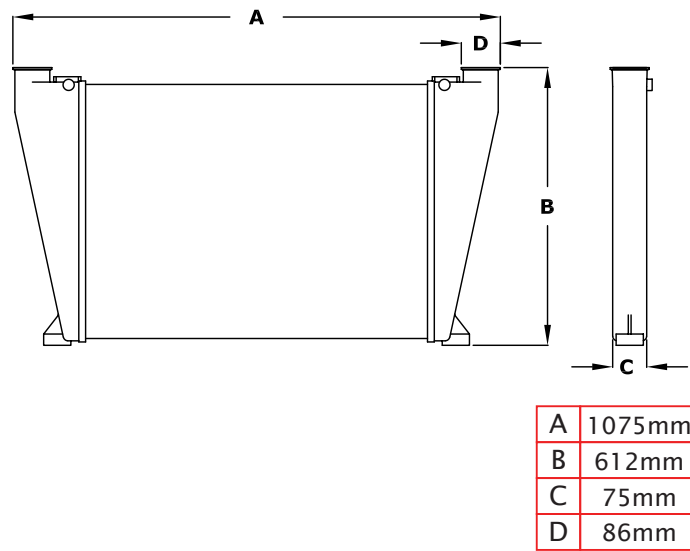


Drawing No. 2043	OE References:
Part No. AC-2186-000	

Description: E400	Comments:
-------------------	-----------

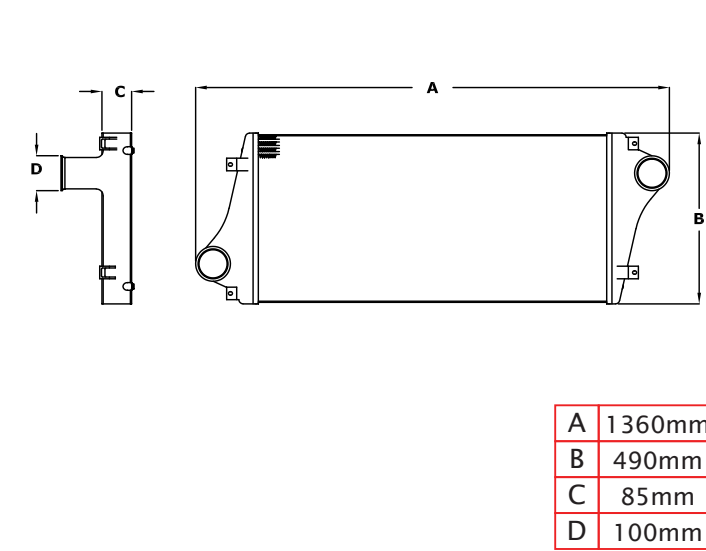
Drawing No. 2044	OE References: 352304, 524305
Part No. AC-5029-000	

Description: 3 Series P / R Cab	Comments: SUPERSEDED IU2SC001
---------------------------------	-------------------------------



Drawing No. 2045	OE References: 811-2182, 3039294
Part No. IU3VL006	

Description: B6R / B6LE	Comments: Original Version, Located Nearside Rear, Fits with RR3VL006
-------------------------	-----------------------------------------------------------------------



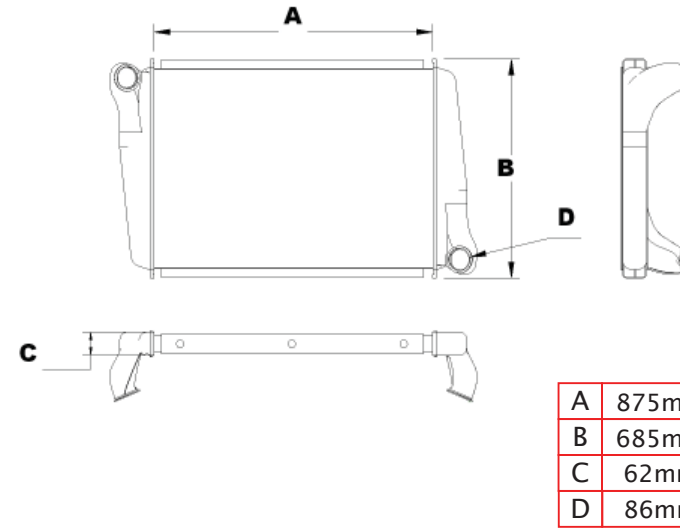
Drawing No. 2046	OE References:
Part No. AC-1038-000	

Description: B7TL	Comments: Original Version, Located Offside Rear, Fits with RR3VL015
-------------------	----------------------------------------------------------------------

CHARGE AIR COOLERS

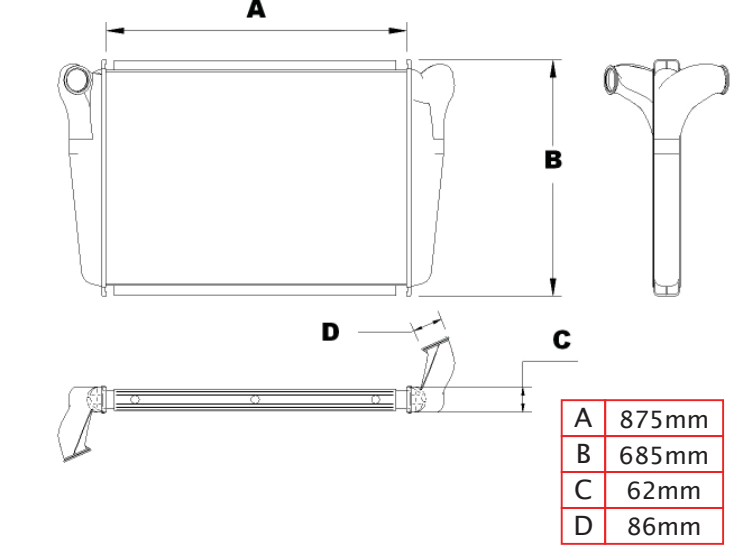
- Volvo

TEL: +44 (0) 121 700 5600 - FAX: +44 (0) 121 700 5601 - E-MAIL: sales@graysonts.com - WEB: www.graysonts.com



Drawing No. 2047	OE References:
Part No. AC-1052-000	

Description: B7R	Comments:
------------------	-----------



Drawing No. 2048	OE References:
Part No. AC-1062-000	

Description: B7 RLE	Comments:
---------------------	-----------

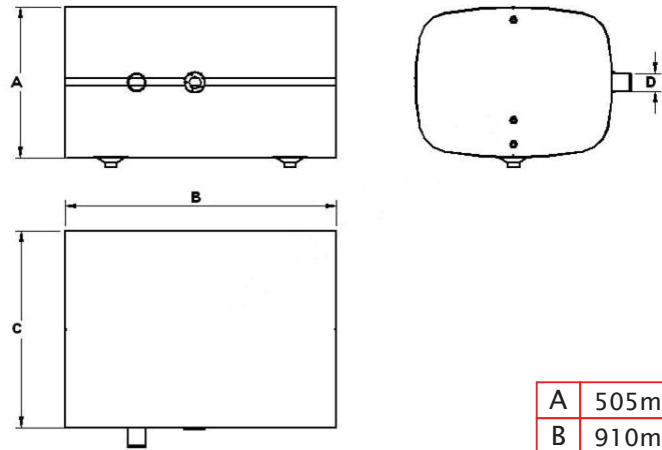
Currently Unavailable
Re-Core Only

Drawing No. 2049	OE References:
Part No. AC-2982-000	

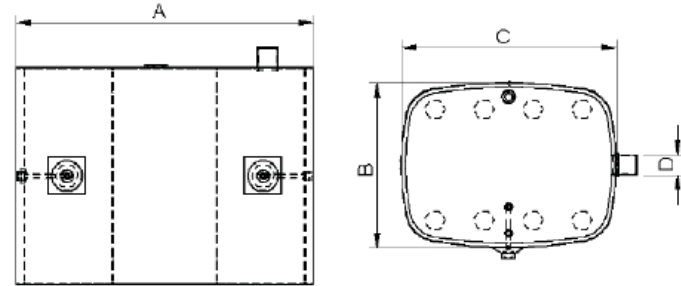
Description: B9L/R B12B/M	Comments: RE-CORE ONLY
---------------------------	------------------------

FUEL TANKS
- DAF / VDL

TEL: +44 (0) 121 700 5600 - FAX: +44 (0) 121 700 5601 - E-MAIL: sales@graysonts.com - WEB: www.graysonts.com



A	505mm
B	910mm
C	660mm
D	60mm



A	910mm
B	660mm
C	505mm
D	60mm

Drawing No. 3001	OE References: 1144670/71, 1141726
Part No. FT-1021-000	

Drawing No. 3002	OE References: 1144691, 1145501
Part No. FT-1022-000	

Description: SB120 / 200
Comments: Distance Between Outlet and Gauge: 195mm

Description: SB120 / 200
Comments: Distance Between Outlet and Gauge: 340mm

Currently Unavailable
Repair Only

Drawing No. 3003	OE References:
Part No. FT-1025-000	

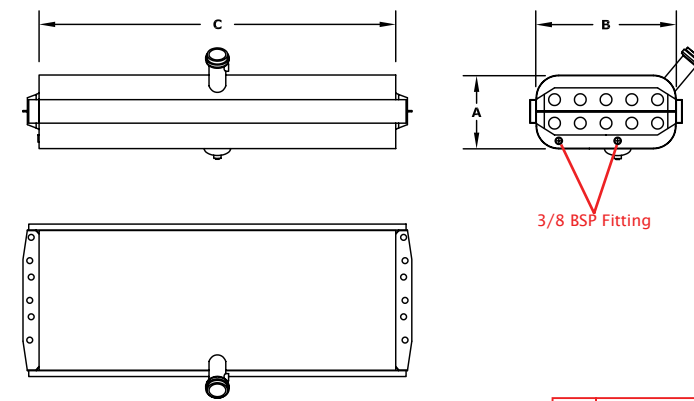
Drawing No. 3004	OE References:
Part No. FT-2513-000	

Description: SB3000
Comments:

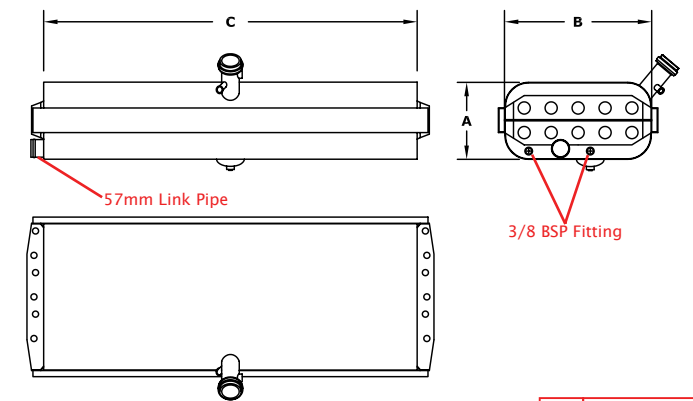
Description: DB250
Comments:

FUEL TANKS
- ADL / Dennis

TEL: +44 (0) 121 700 5600 - FAX: +44 (0) 121 700 5601 - E-MAIL: sales@graysonts.com - WEB: www.graysonts.com



A	250mm
B	475mm
C	1213mm



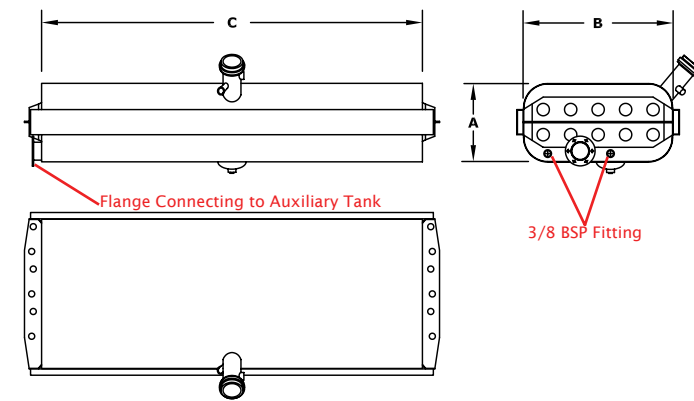
A	250mm
B	475mm
C	1213mm

Drawing No. 3005	OE References: 418777
Part No. FT3DN001/3	

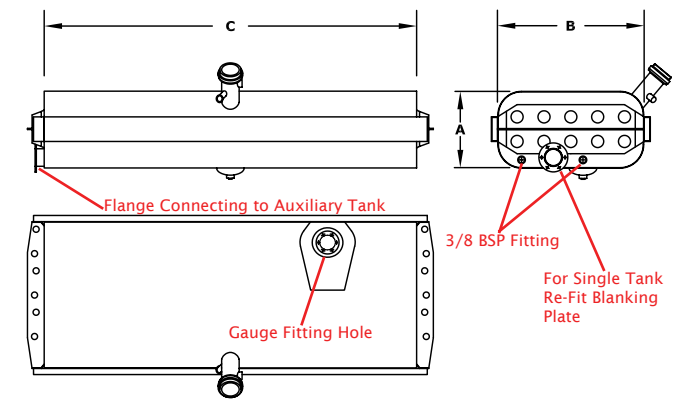
Drawing No. 3006	OE References:
Part No. FT3DN001/4	

Description: Dart Single Deck
Comments: Main Tank with Filler, Located Offside Centre, Single Tank System

Description: Dart 57mm Link Pipe Hose Connection, Single Deck
Comments: Main Tank with Filler, Located Offside Centre, Twin Tank System



A	250mm
B	475mm
C	1213mm



A	250mm
B	475mm
C	1213mm

Drawing No. 3007	OE References:
Part No. FT3DN001/5	

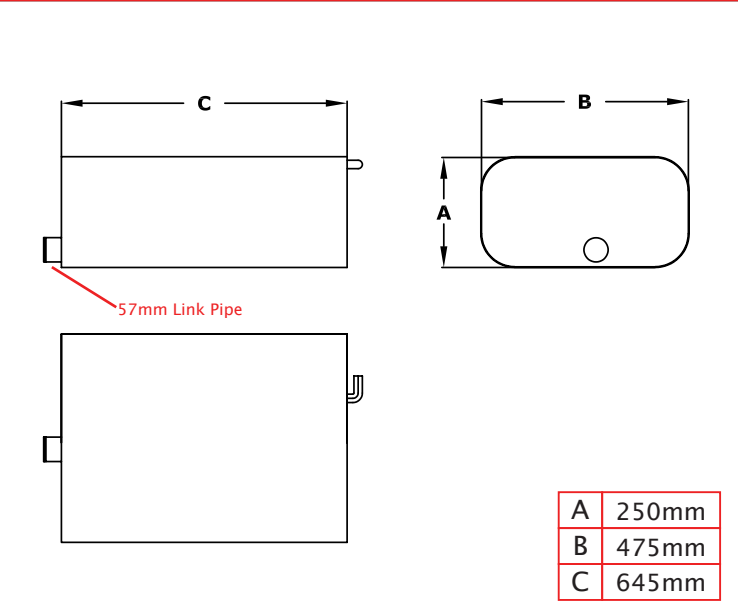
Drawing No. 3008	OE References:
Part No. FT3DN001/6	

Description: Dart Flange Connection, Single Deck
Comments: Main Tank with Filler, Located Offside Centre, Twin Tank System

Description: Dart Flange Connection, Single Deck
Comments: Main Tank with Filler, Located Offside Rear, Twin Tank System

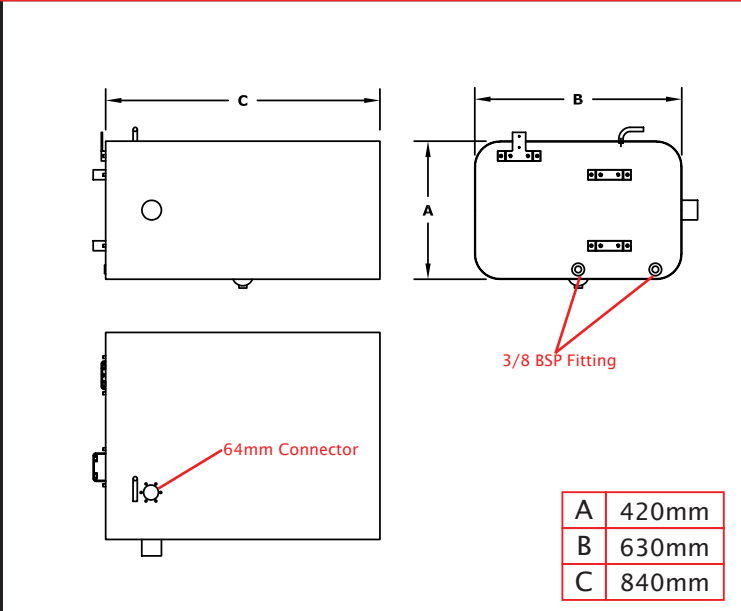
FUEL TANKS
- ADL / Dennis

TEL: +44 (0) 121 700 5600 - FAX: +44 (0) 121 700 5601 - E-MAIL: sales@graysonts.com - WEB: www.graysonts.com



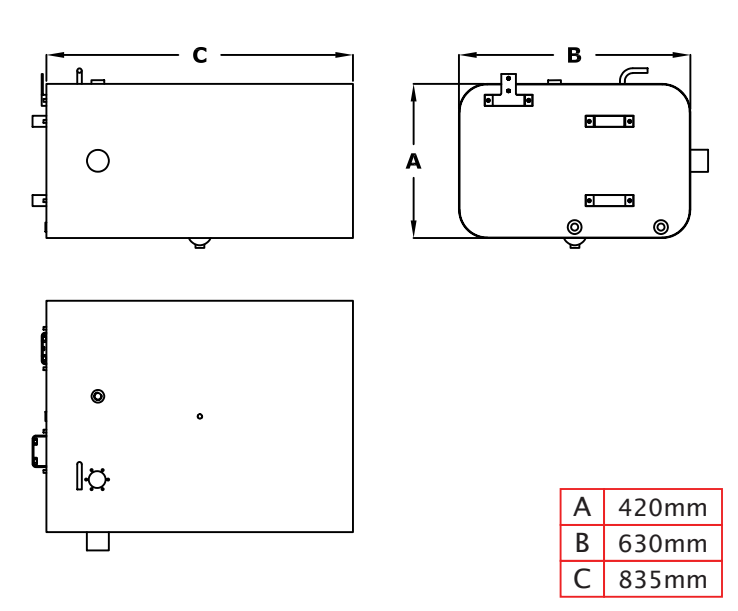
Drawing No. 3009
Part No. FT3DN025/1
Description: Dart 57mm Link Pipe, Single Deck

Comments: Auxiliary Tank without Filler, Located Offside Rear, Twin Tank System



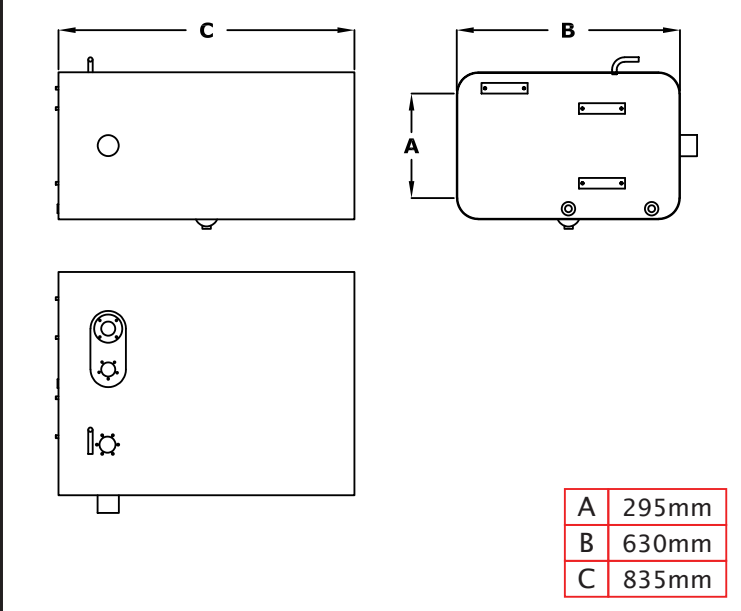
Drawing No. 3010
Part No. FT3DN500
Description: Dart SLF, Universal Tank, Single Deck

Comments: Main Tank with Filler, Located Nearside Rear, Single Tank System



Drawing No. 3011
Part No. FT-1002-000
Description: Dart SLF with 1/2" Union

Comments: Main Tank with Filler, Located Nearside Rear, Single Tank System

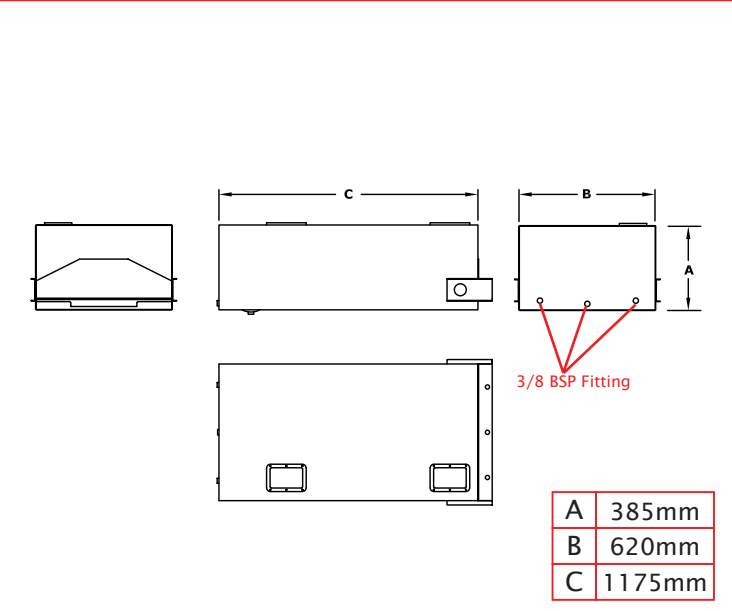


Drawing No. 3012
Part No. FT-1003-000
Description: Dart SLF, Fast Fill Type, Welded Flange

Comments: Main Tank with Filler, Located Nearside Rear, Single Tank System

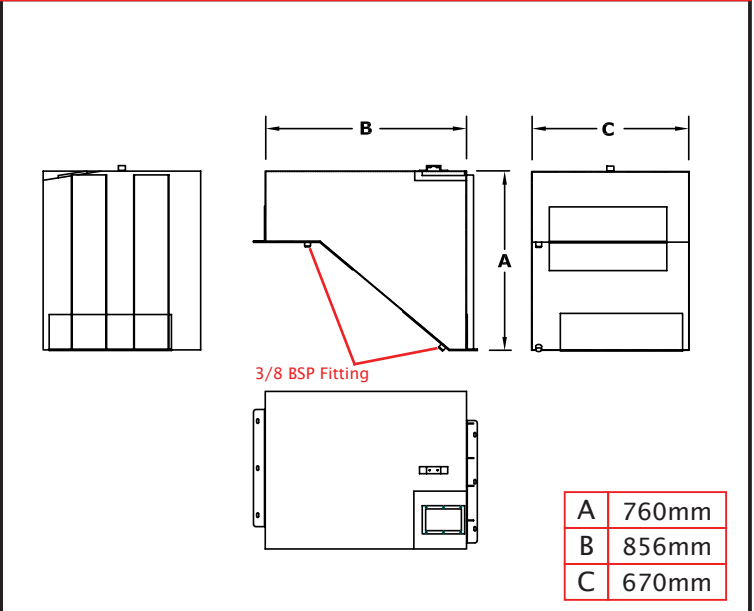
FUEL TANKS
- ADL / Dennis

TEL: +44 (0) 121 700 5600 - FAX: +44 (0) 121 700 5601 - E-MAIL: sales@graysonts.com - WEB: www.graysonts.com



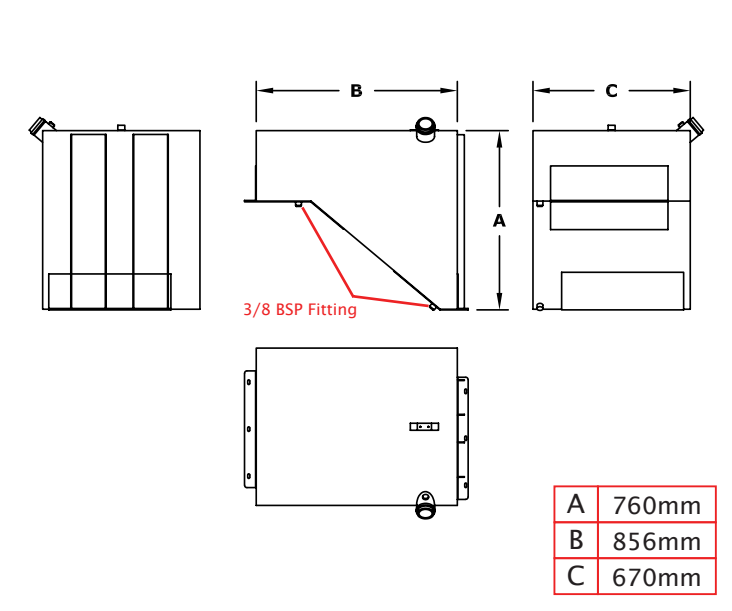
Drawing No. 3013
Part No. FT3DN030/11
Description: Trident Double Deck

Comments: Main Tank with Filler, Located Nearside Rear, Single Tank System



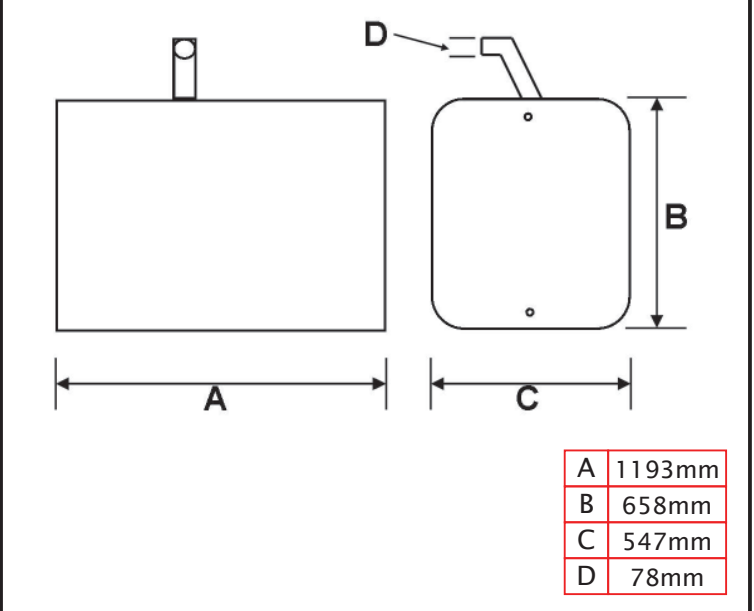
Drawing No. 3014
Part No. FT3DN033/10
Description: Trident Double Deck, Bolted Neck

Comments: Located Under Stairs, Single Tank System



Drawing No. 3015
Part No. FT3DN032/10
Description: Trident Double Deck, Welded Neck

Comments: Main Tank with Filler, Located Under Stairs, Single Tank System



Drawing No. 3016
Part No. FT-1020-000
Description: Javelin

Comments:

FUEL TANKS
- ADL / Dennis

TEL: +44 (0) 121 700 5600 - FAX: +44 (0) 121 700 5601 - E-MAIL: sales@graysonts.com - WEB: www.graysonts.com

Drawing Currently Unavailable		Drawing Currently Unavailable	
Drawing No. 3017	OE References:	Drawing No. 3018	OE References:
Part No. FT-1023-000		Part No. FT-1026-000	
Description: Javelin		Description: Dart SLF Narrow	
Comments: Outer Tank		Comments:	
Currently Unavailable Repair Only		Currently Unavailable Repair Only	
Drawing No. 3019	OE References:	Drawing No. 3020	OE References:
Part No. FT-2174-000		Part No. FT-1027-000	
Description: Enviro 200		Description: Enviro 300	
Comments:		Comments:	

FUEL TANKS
- ADL / Dennis

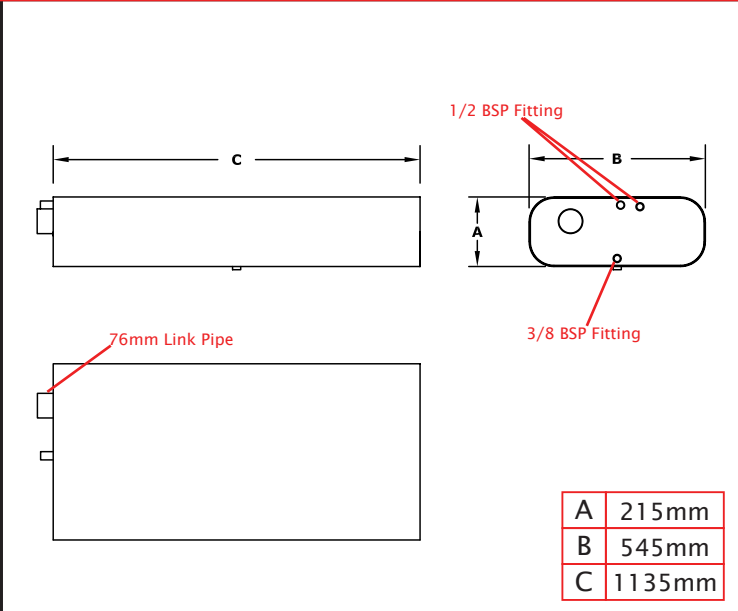
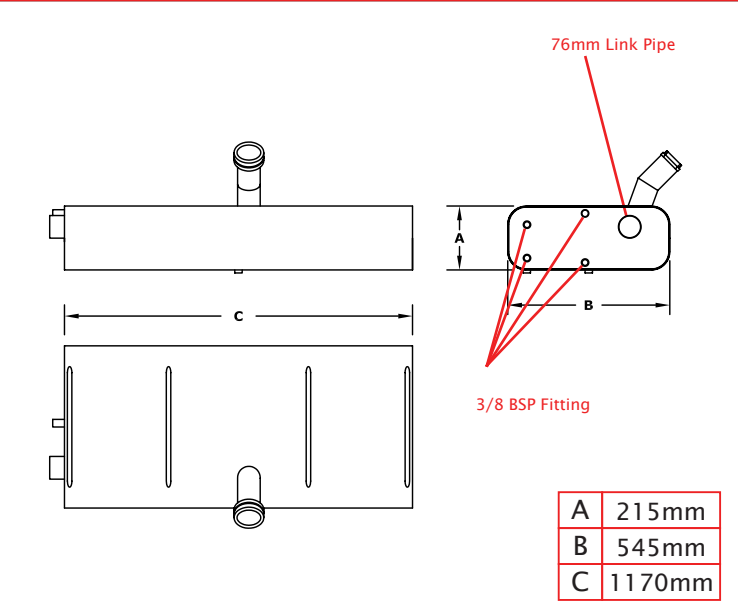
TEL: +44 (0) 121 700 5600 - FAX: +44 (0) 121 700 5601 - E-MAIL: sales@graysonts.com - WEB: www.graysonts.com

Currently Unavailable Repair Only			
Drawing No. 3021	OE References:		
Part No. FT-2173-000			
Description: Enviro 400			
Comments:			

FUEL TANKS

- Leyland

TEL: +44 (0) 121 700 5600 - FAX: +44 (0) 121 700 5601 - E-MAIL: sales@graysonts.com - WEB: www.graysonts.com



Drawing No. 3022
Part No. FT3LB017/10

OE References:
HMK2411

Description: Bristol / Olympian, In Line 76mm Link Pipe, Double Deck

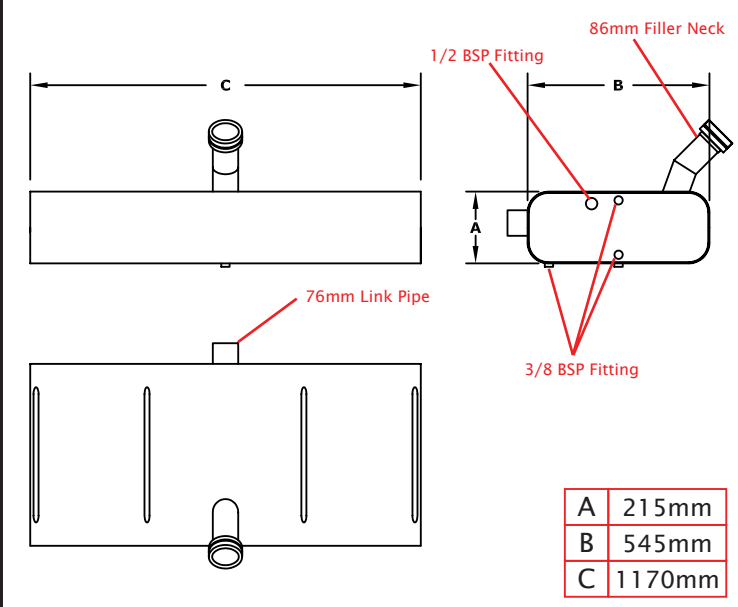
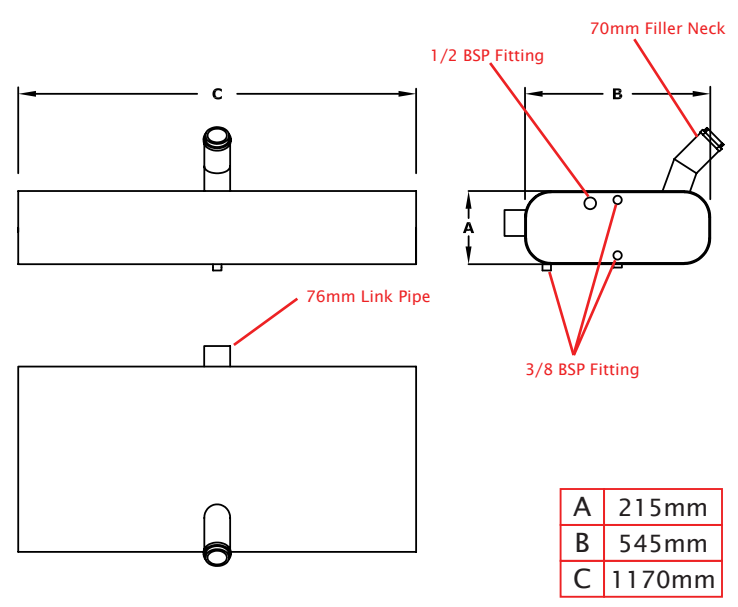
Comments: Main Tank with Filler, Located Offside Front, Twin Tank System

Drawing No. 3023
Part No. FT3LB019/10

OE References:

Description: Bristol / Olympian, In Line 76mm Link Pipe, Double Deck

Comments: Auxiliary Tank without Filler, Located Offside Rear, Twin Tank System



Drawing No. 3024
Part No. FT3LB018/10

OE References:

Description: Olympian 76mm Link Pipe, 70mm Filler, Double Deck

Comments: Main Tank with Filler, Located Offside Centre, Twin Tank System

Drawing No. 3025
Part No. FT3LB018/11

OE References:

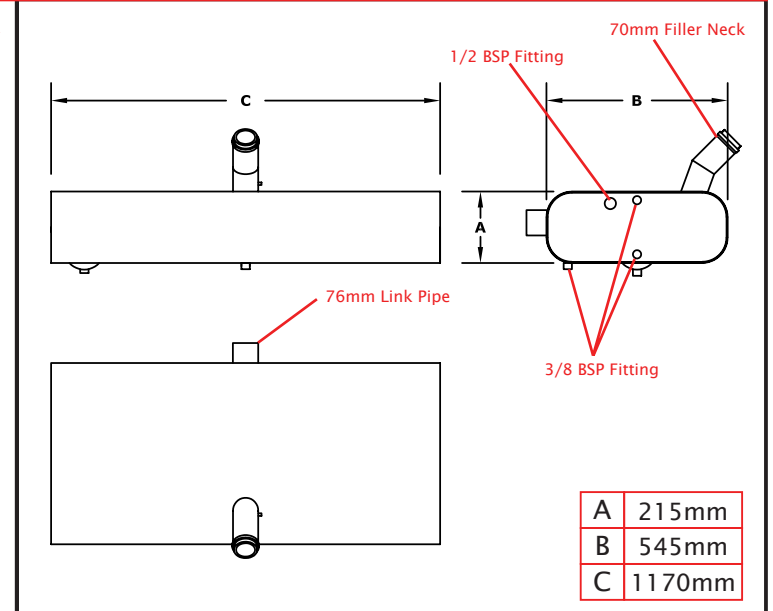
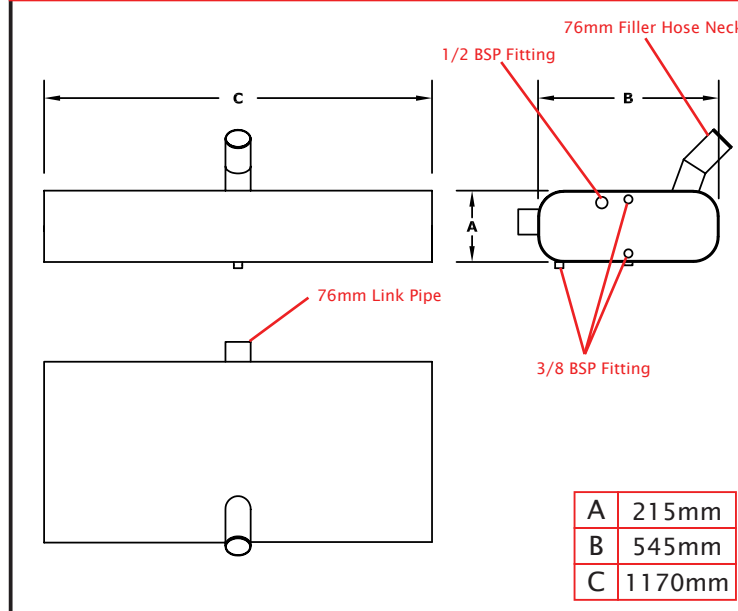
Description: Olympian, 76mm Link Pipe, 89mm Filler, Double Deck

Comments: Main Tank with Filler, Located Offside Centre, Twin Tank System

FUEL TANKS

- Leyland

TEL: +44 (0) 121 700 5600 - FAX: +44 (0) 121 700 5601 - E-MAIL: sales@graysonts.com - WEB: www.graysonts.com



Drawing No. 3026
Part No. FT3LB018/20

OE References:

Description: Olympian, Hose Neck Filler, 76mm Pipe & Filler, Double Deck

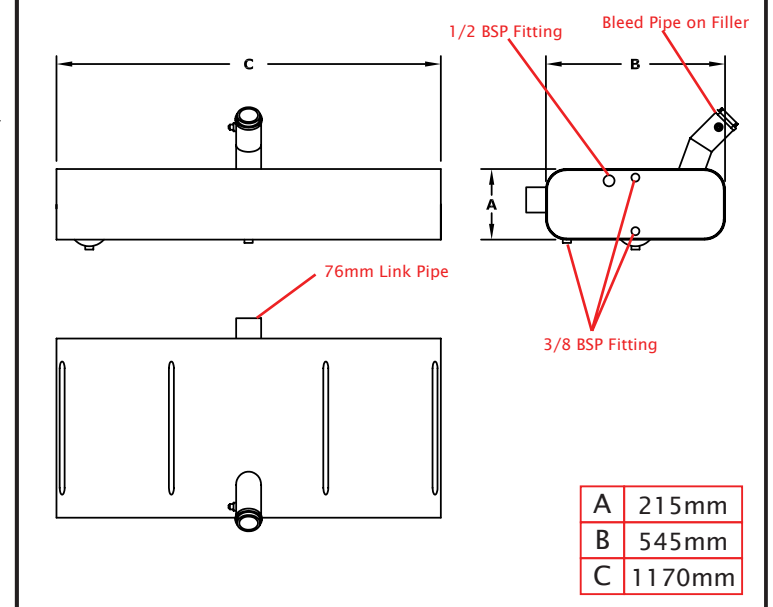
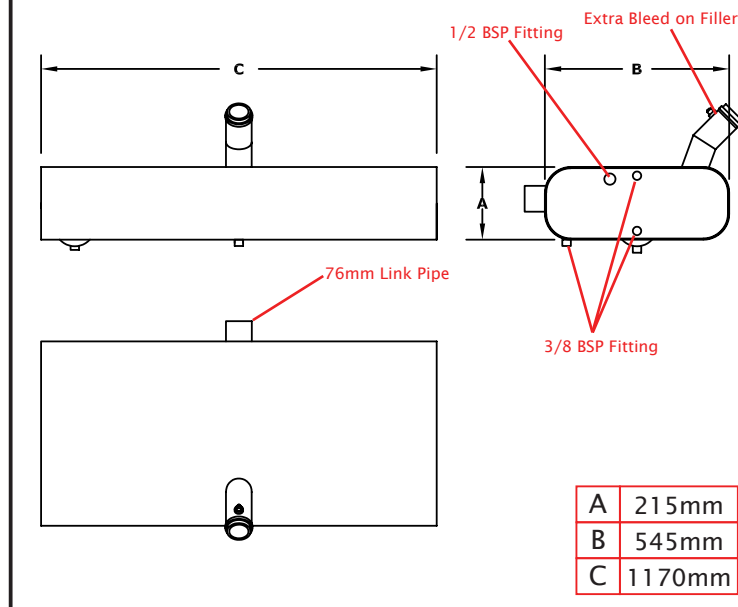
Comments: Main Tank with Filler, Located Offside Centre, Twin Tank System

Drawing No. 3027
Part No. FT3LB018/30

OE References:

Description: Olympian, 76mm Link Pipe, Bleed Facing Front on Neck, Double Deck

Comments: Main Tank with Filler, Located Offside Centre, Twin Tank System



Drawing No. 3028
Part No. FT3LB018/40

OE References:

Description: Olympian, 76mm Filler Bleed on Top Neck, Double Deck

Comments: Main Tank with Filler, Located Offside Centre, Twin Tank System

Drawing No. 3029
Part No. FT3LB018/50

OE References:

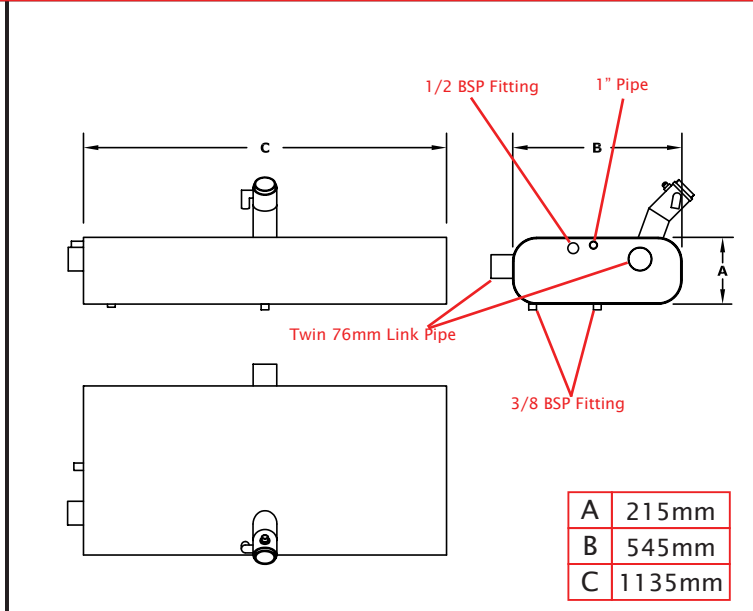
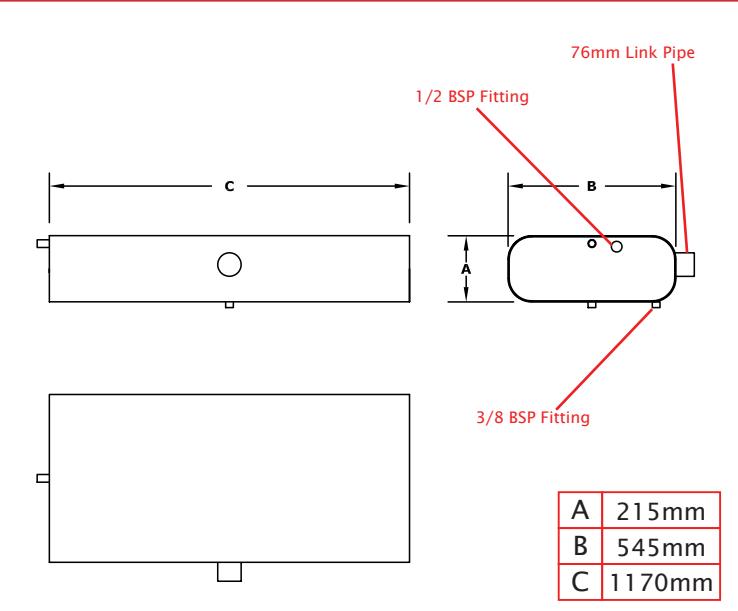
Description: Olympian, 76mm Filler, Bleed Facing Rear on Neck, Double Deck

Comments: Main Deck with Filler, Located Offside, Twin Tank System

FUEL TANKS

- Leyland

TEL: +44 (0) 121 700 5600 - FAX: +44 (0) 121 700 5601 - E-MAIL: sales@grayson.com - WEB: www.grayson.com



Drawing No. 3030
Part No. FT3LB020/30

OE References:
HRK4368, 3117431

Description: Olympian, 76mm Link Pipe, Double Deck

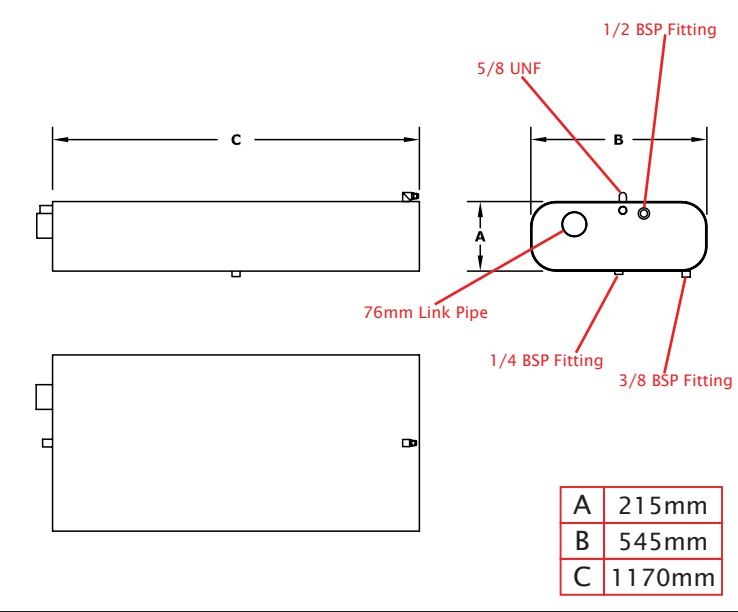
Comments: Auxiliary Tank without Filler, Located Nearside Centre, Twin Tank System

Drawing No. 3031
Part No. FT3LB032/10

OE References:

Description: Olympian, 76mm Link Pipe, Double Deck

Comments: Main Tank with Filler, Located Offside Rear, Three Tank System



Drawing No. 3032
Part No. FT3LB037/10

OE References:

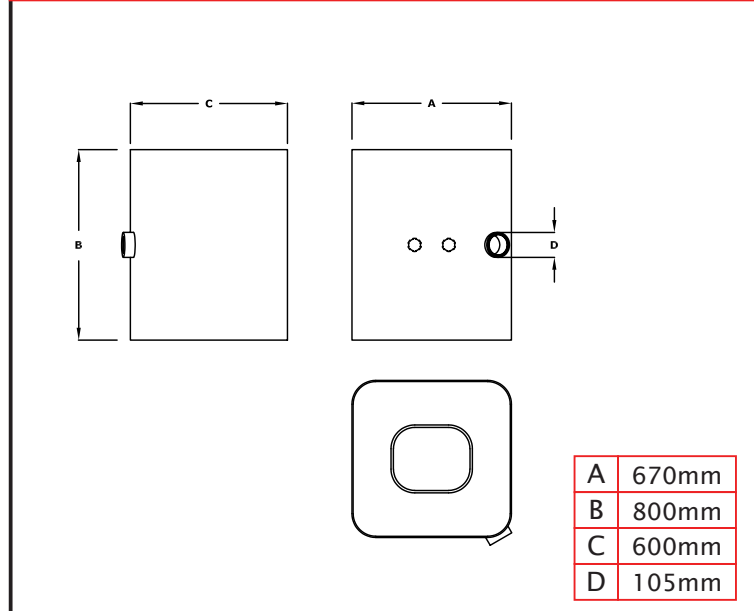
Description: Olympian 76mm Link Pipe, Double Deck

Comments: Auxiliary Tank without Filler, Located Offside Centre, 2/3 Tank System

FUEL TANKS

- MAN - MCW Metrobus

TEL: +44 (0) 121 700 5600 - FAX: +44 (0) 121 700 5601 - E-MAIL: sales@grayson.com - WEB: www.grayson.com



Drawing No. 3033
Part No. FT3MN001/10

OE References:
8112 201 6111

Description: 18:220 Stainless Steel

Comments: Main Tank with Filler, Located Offside Rear, Single Tank System

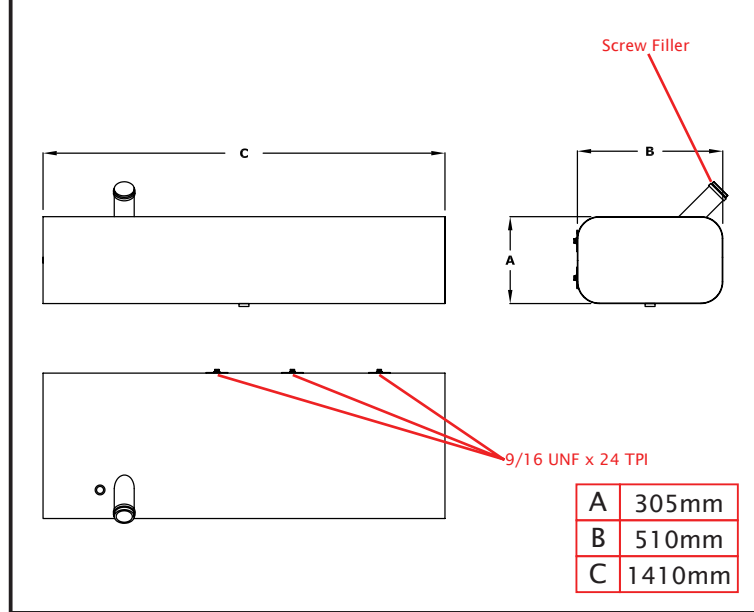
Drawing Currently Unavailable

Drawing No. 3034
Part No. FT-2479-000

OE References:
2112.201.6206

Description: 14.220

Comments:

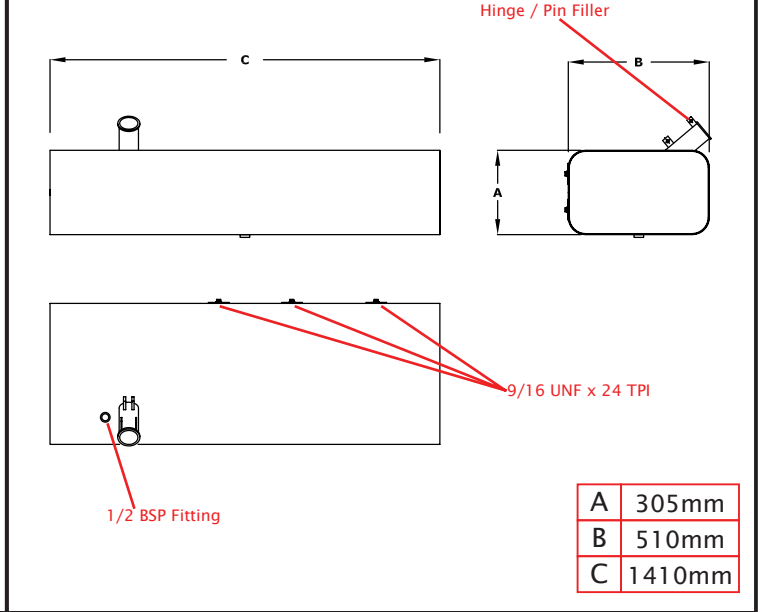


Drawing No. 3035
Part No. FT3MC004/10

OE References: FT37, FT41, FTM-UNIV-1

Description: Metrobus, Screw Filler, Double Deck

Comments: Main Tank with Filler, Located Offside Centre, Single Tank System



Drawing No. 3036
Part No. FT3MC004/11

OE References: FT37, FT41, FTM-UNIV-1

Description: Metrobus, Hinge / Pin Filler

Comments: Main Tank with Filler, Located Offside Centre, Single Tank System

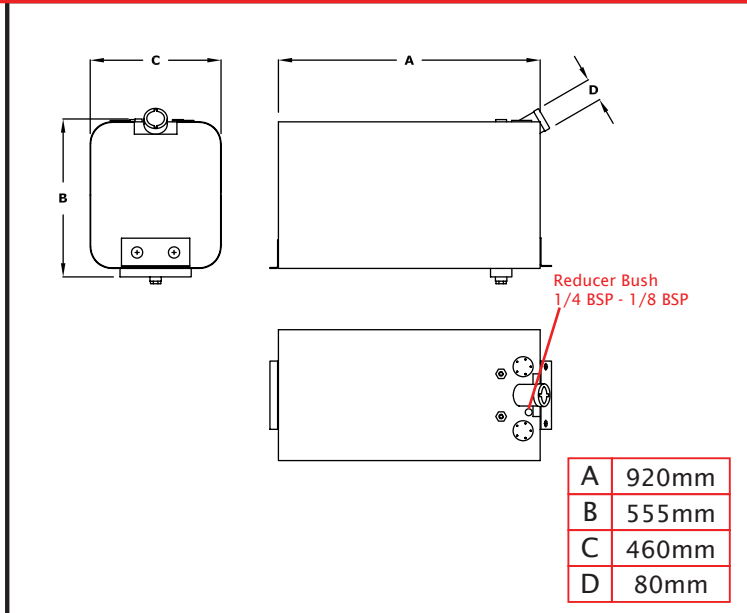
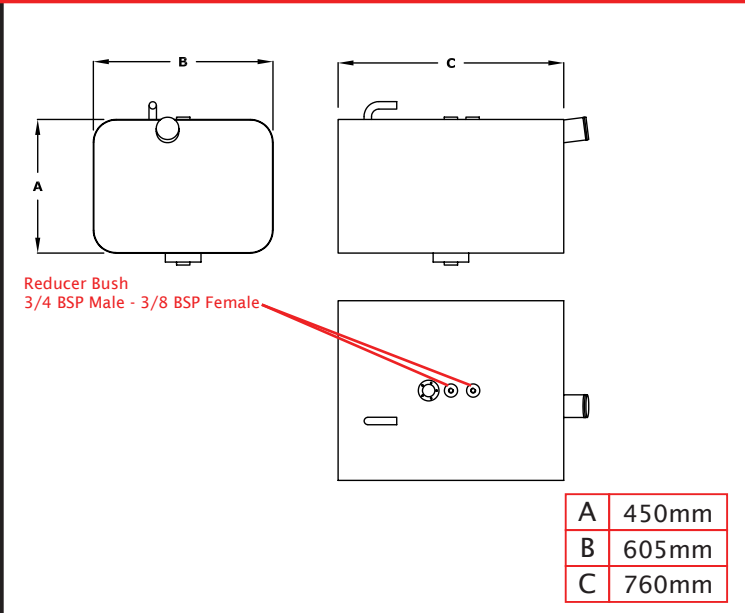
FUEL TANKS

- Optare

FUEL TANKS

- Optare - Scania

TEL: +44 (0) 121 700 5600 - FAX: +44 (0) 121 700 5601 - E-MAIL: sales@graysonts.com - WEB: www.graysonts.com

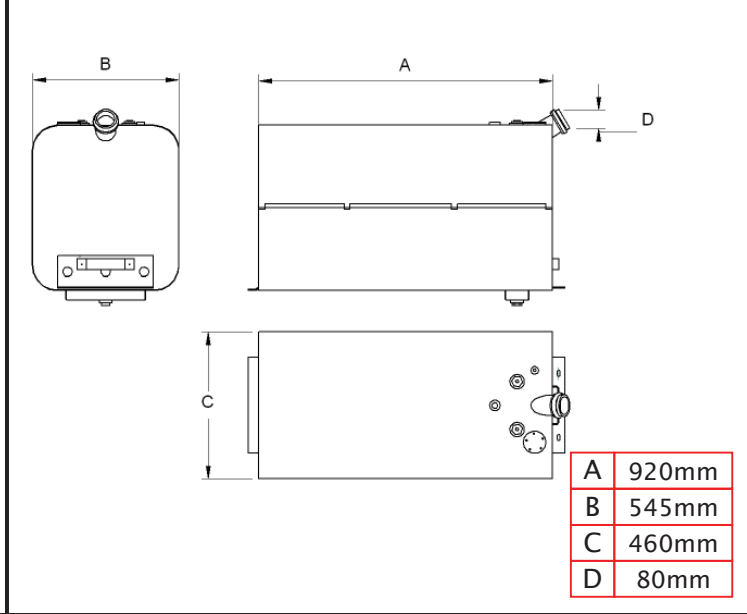
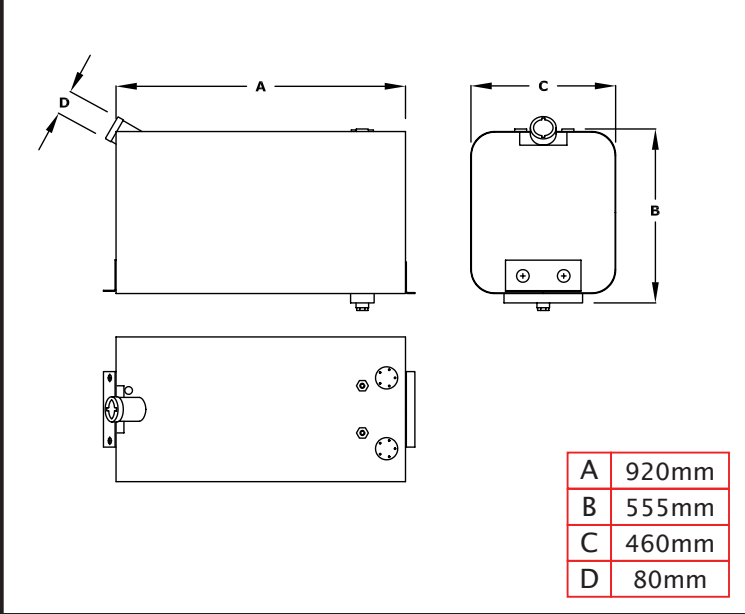


Drawing No. 3037
Part No. FT3OP001/10

Drawing No. 3038
Part No. FT3OP002/10

Description: Excel - Cummins Engine, Screw Filler, Single Deck
Comments: Main Tank with Filler, Located Offside Rear, Single Tank System

Description: Excel / Solo - Mercedes Engine, Bayonet Connection, Single Deck
Comments: Main Tank with Filler, Located Nearside Rear, Single Tank System



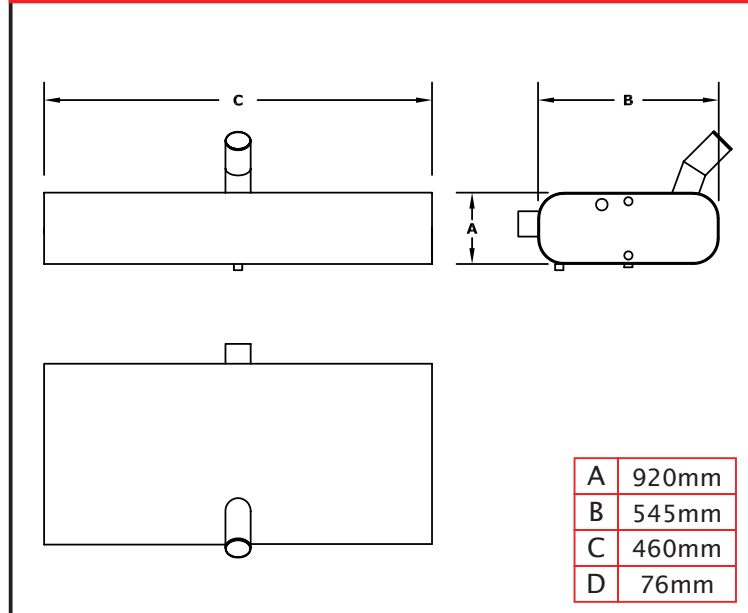
Drawing No. 3039
Part No. FT3OP003/10

Drawing No. 3040
Part No. FT-1014-000

Description: Solo - Mercedes Engine, Bayonet Connection, Single Deck Mini Bus
Comments: Main Tank with Filler, Located Offside Front, Single Tank System

Description: Solo
Comments:

TEL: +44 (0) 121 700 5600 - FAX: +44 (0) 121 700 5601 - E-MAIL: sales@graysonts.com - WEB: www.graysonts.com



Currently Unavailable
Repair Only

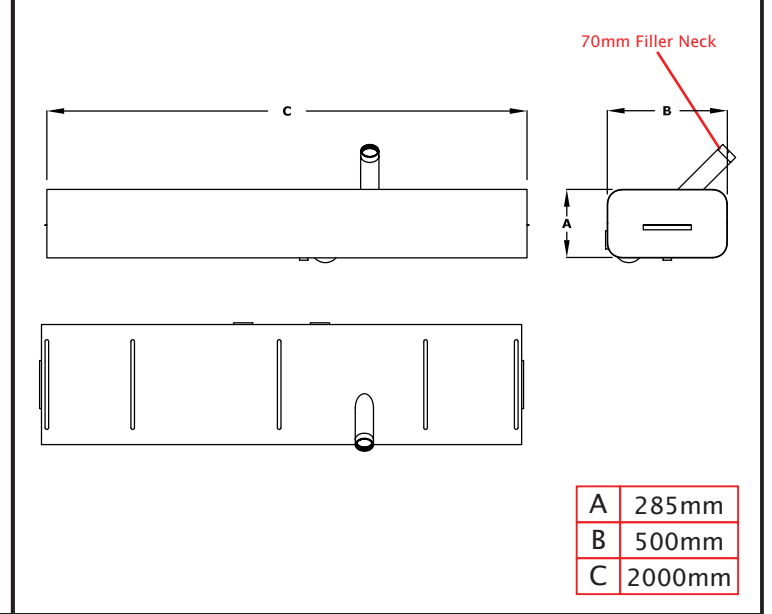
Drawing No. 3041
Part No. FT-1015-000

Drawing No. 3042
Part No. FT-2175-000

Description: Solo
Comments:

Description: Tempo
Comments:

Currently Unavailable
Repair Only



Drawing No. 3043
Part No. FT-2176-000

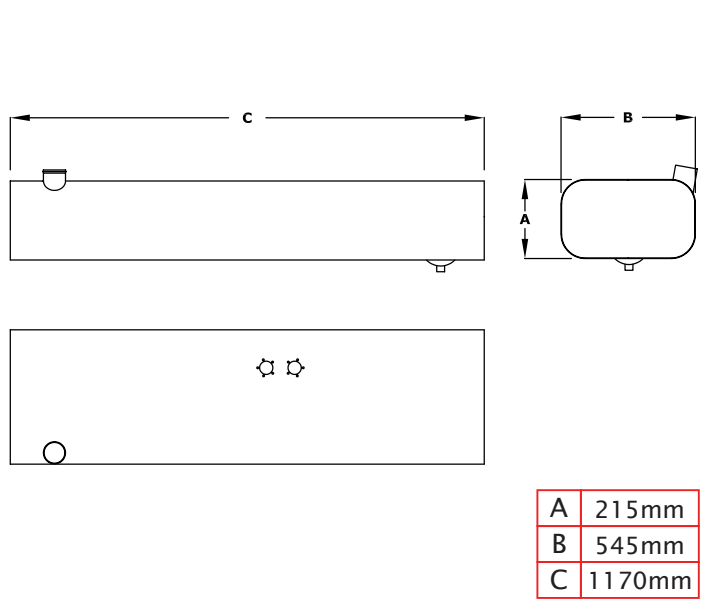
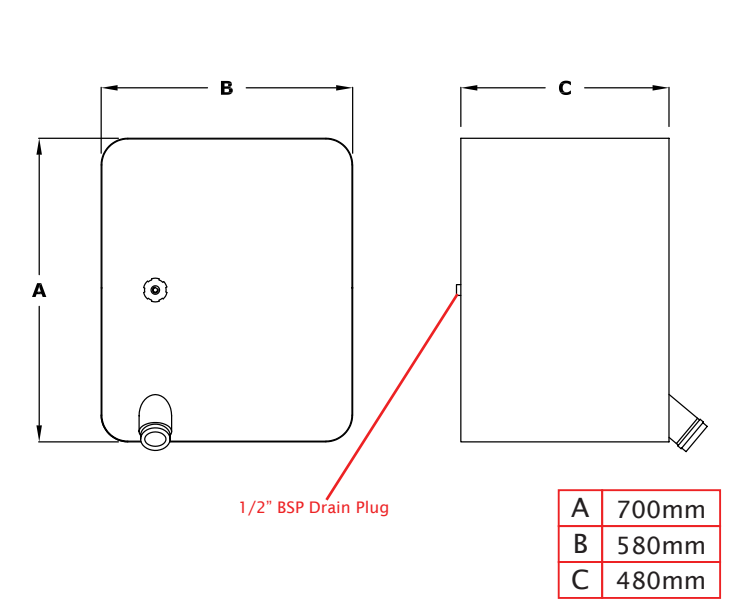
Drawing No. 3044
Part No. FT3SC002/10

Description: Versa
Comments:

Description: N113 Single / Double Deck, 76mm Filler
Comments: Main Deck with Filler, Located Offside Centre, Single Tank System

FUEL TANKS
- Volvo

TEL: +44 (0) 121 700 5600 - FAX: +44 (0) 121 700 5601 - E-MAIL: sales@graysonts.com - WEB: www.graysonts.com



Drawing No. 3045
Part No. FT3VL014/10

OE References:

Description: B6LE Single Deck

Comments: Main Tank with Filler, Located Offside Rear, Single Tank System

Drawing No. 3046
Part No. FT3VL006/10

OE References: 260051

Description: B6R Single Deck

Comments: Main Tank with Filler, Located Offside Centre, Single Tank System

Currently Unavailable
Repair Only

Currently Unavailable
Repair Only

Drawing No. 3047
Part No. FT-2177-000

OE References:

Description: B7TL Double Deck

Comments:

Drawing No. 3048
Part No. FT-2178-000

OE References:

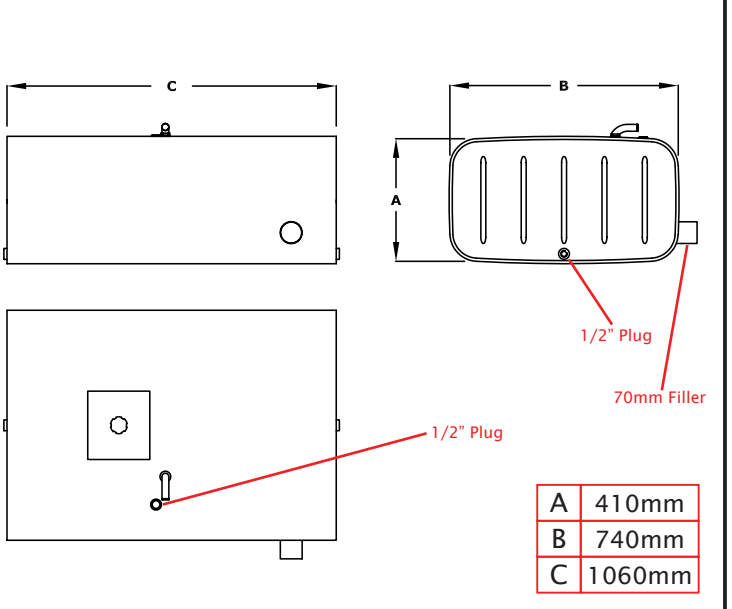
Description: B7R Single Deck

Comments:

FUEL TANKS
- Volvo

TEL: +44 (0) 121 700 5600 - FAX: +44 (0) 121 700 5601 - E-MAIL: sales@graysonts.com - WEB: www.graysonts.com

Currently Unavailable
Repair Only



Drawing No. 3049
Part No. FT-2179-000

OE References:

Description: B7RLE Single Deck

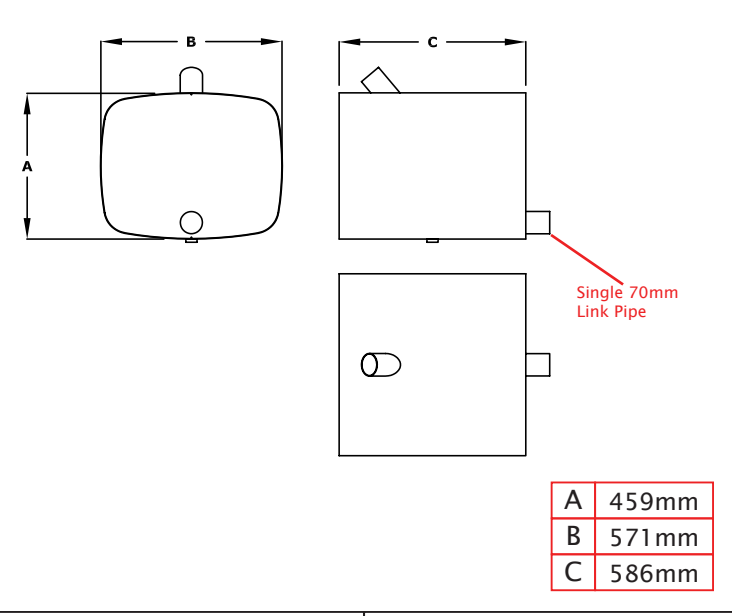
Comments:

Drawing No. 3050
Part No. FT3VL013/10

OE References:

Description: B10B Single Deck

Comments: Main Tank with Filler, Located Offside Centre, Single Tank System

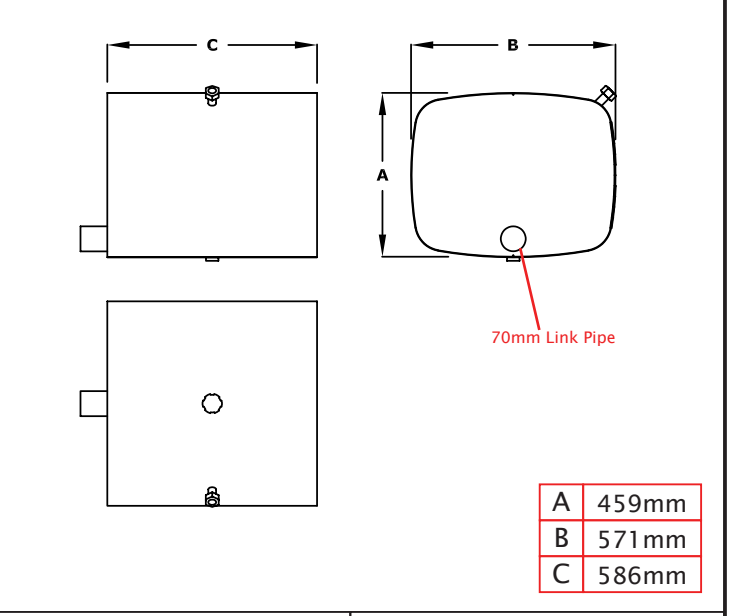


Drawing No. 3051
Part No. FT3VL010/10

OE References: 3031522-0

Description: B10M Mk3, 70mm Link Pipe, Single / Double Deck

Comments: Main Tank with Filler, Located Nearside or Offside Rear, Two or Three Tank System



Drawing No. 3052
Part No. FT3VL011/10

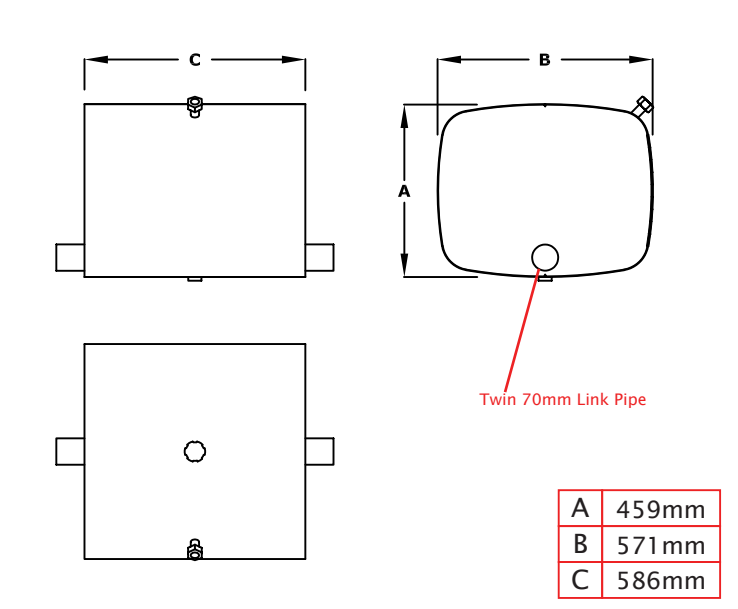
OE References: 1190945

Description: B10M Mk3, 70mm Link Pipe, Single / Double Deck

Comments: Auxiliary Tank without Filler, Located Nearside Centre, Two Tank System

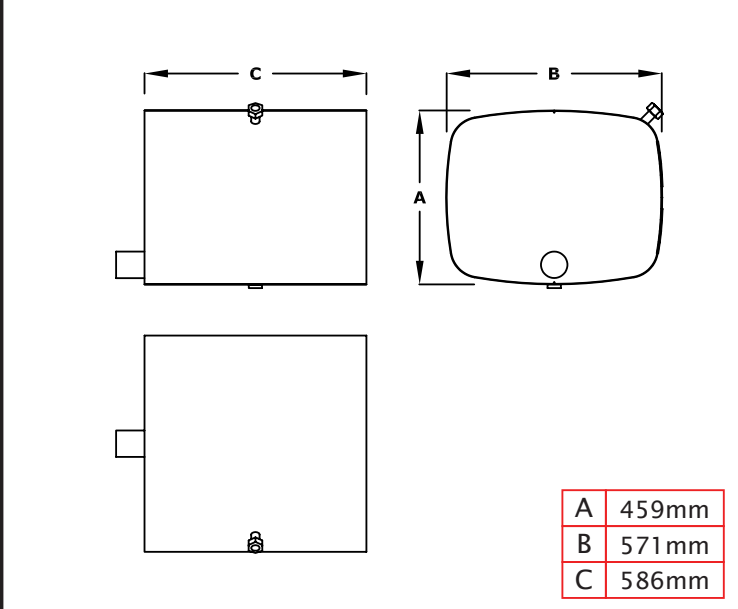
FUEL TANKS
- Volvo

TEL: +44 (0) 121 700 5600 - FAX: +44 (0) 121 700 5601 - E-MAIL: sales@graysonts.com - WEB: www.graysonts.com



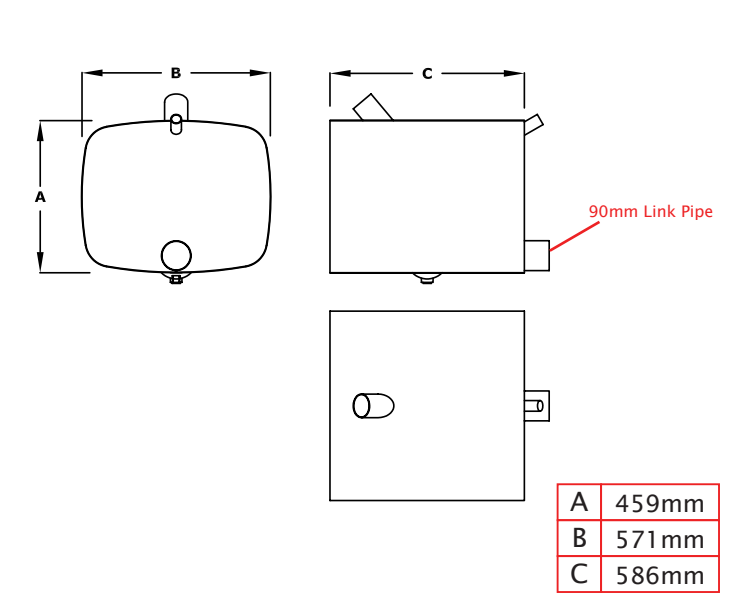
Drawing No. 3053
Part No. FT3VL011/11
OE References: 415175

Description: B10M Mk3, 70mm Link Pipe, Single / Double Deck
Comments: Auxiliary Tank without Filler, Located Rear Centre, Three Tank System



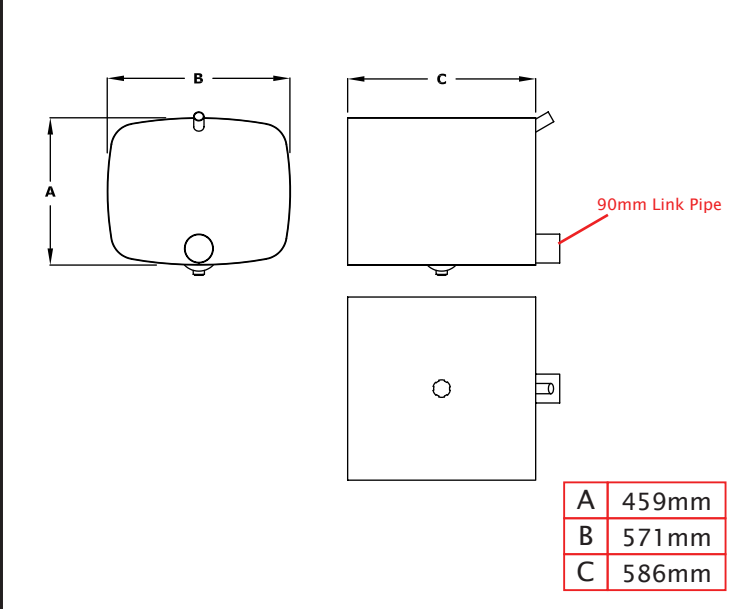
Drawing No. 3054
Part No. FT3VL012/10
OE References:

Description: B10M Mk3, 70mm Link Pipe, Single / Double Deck
Comments: Auxiliary Tank without Filler, Located Nearside Rear, Three Tank System



Drawing No. 3055
Part No. FT3VL015/10
OE References: 9518425

Description: B10M Mk4, 90mm Link Pipe, Metal Replacement for Original Plastic Tank
Comments: Main Tank with Filler, Located Nearside or Offside Rear, Two or Three Tank System

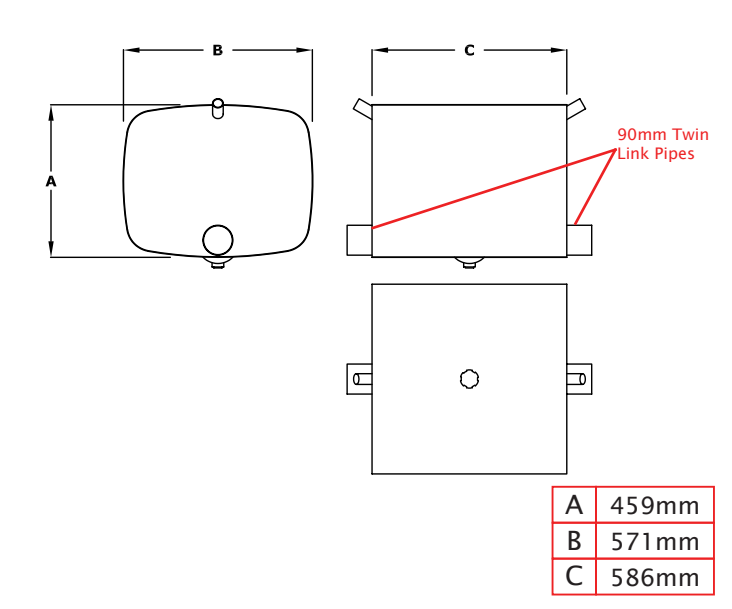


Drawing No. 3056
Part No. FT3VL016/10
OE References:

Description: B10M Mk4, 90mm Link Pipe, Metal Replacement for Original Plastic Tank
Comments: Auxiliary Tank without Filler, Located Rear Centre, Twin Tank System

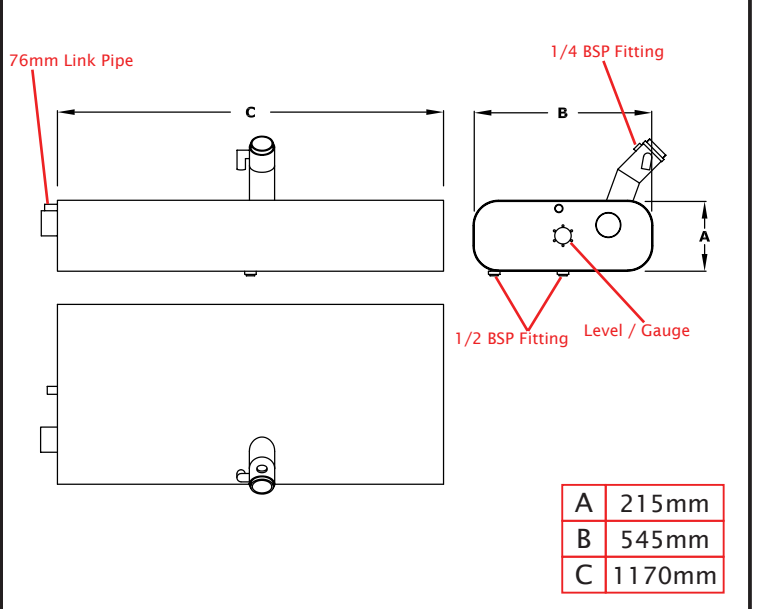
FUEL TANKS
- Volvo

TEL: +44 (0) 121 700 5600 - FAX: +44 (0) 121 700 5601 - E-MAIL: sales@graysonts.com - WEB: www.graysonts.com



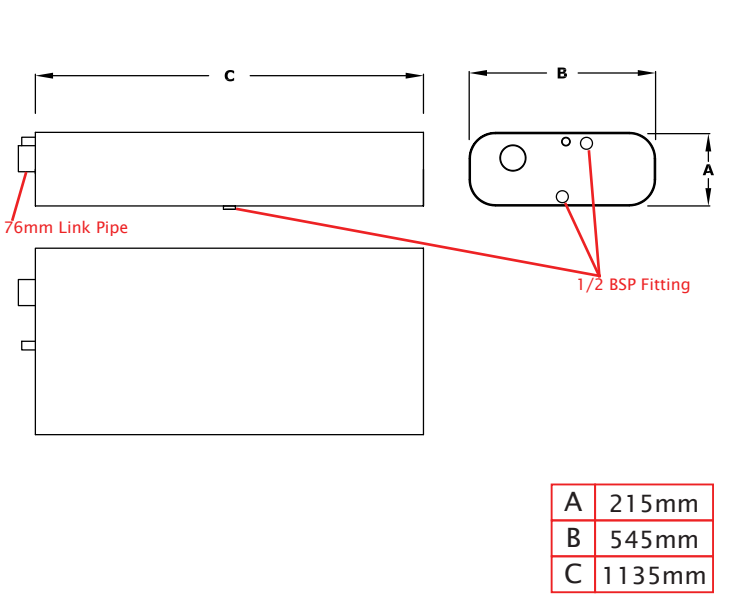
Drawing No. 3057
Part No. FT3VL016/11
OE References:

Description: B10M Mk4, 90mm Link Pipe, Metal Replacement for Original Plastic Tank
Comments: Auxiliary Tank without Filler, Located Nearside Centre, Three Tank System



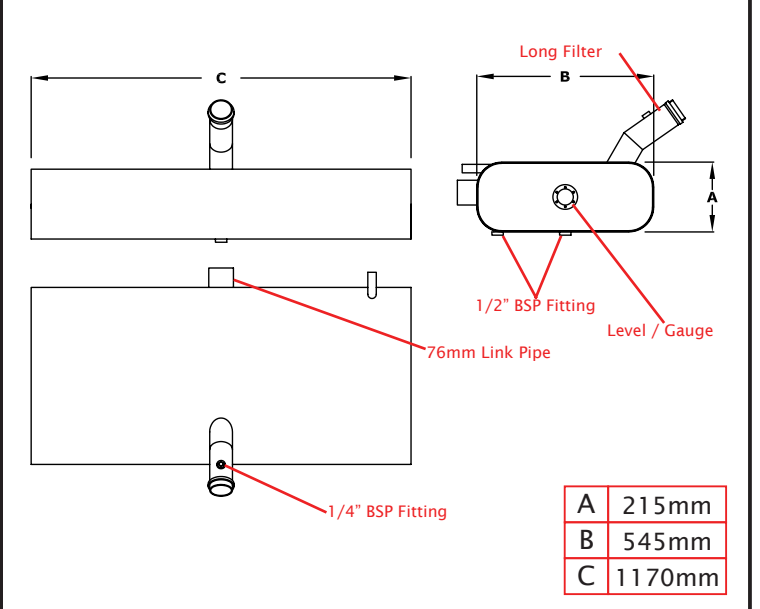
Drawing No. 3058
Part No. FT3VL017/10
OE References:

Description: Olympian, In Line System, 76mm Link Pipe, Double Deck
Comments: Auxiliary Tank, Located Offside Rear, Twin Tank System



Drawing No. 3059
Part No. FT3VL019/10
OE References: 1066739

Description: Olympian, In Line System, 76mm Link Pipe, Double Deck
Comments: Auxiliary Tank, Located Offside Centre, Twin Tank System



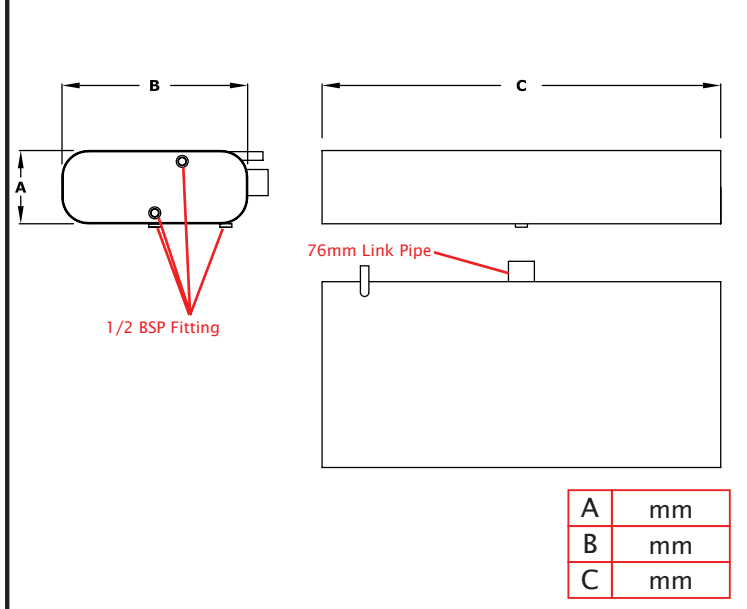
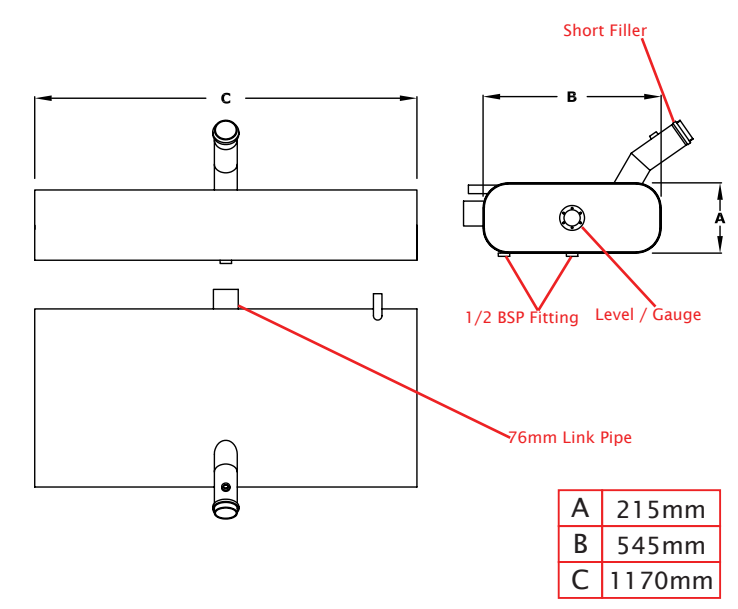
Drawing No. 3060
Part No. FT3VL018/10
OE References: 3117881

Description: Olympian, 76mm Link Pipe, Long Filler, Level Gauge, Double Deck
Comments: Main Tank with Filler, Located Offside Centre, Twin Tank System

FUEL TANKS

- Volvo

TEL: +44 (0) 121 700 5600 - FAX: +44 (0) 121 700 5601 - E-MAIL: sales@graysonts.com - WEB: www.graysonts.com



Drawing No. 3061
Part No. FT3VL018/11

OE References:
3117811

Description: Olympian, 76mm Link Pipe, Short Filler, Level Gauge, Double Deck

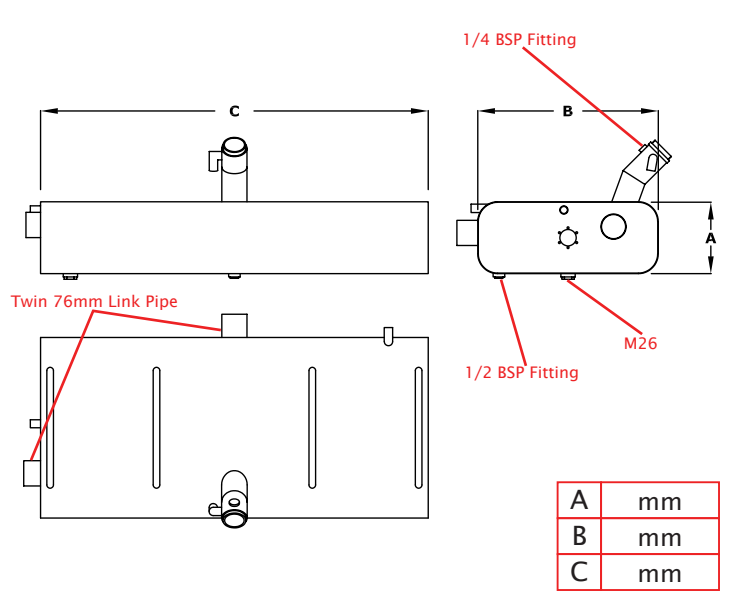
Comments: Main Tank with Filler, Located Offside Centre, Twin Tank System

Drawing No. 3062
Part No. FT3VL020/10

OE References:
3117431 / 3117626

Description: Olympian, 76mm Link Pipe, Double Deck

Comments: Auxiliary Tank without Filler, Located Nearside Centre, Twin Tank System



Drawing No. 3063
Part No. FT3VL032/10

OE References:

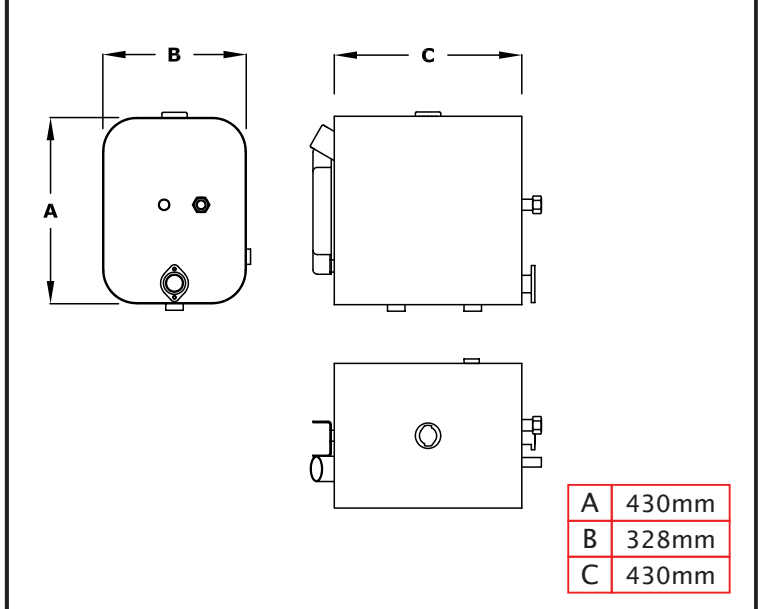
Description: Olympian, Fits with FT3VL019/10, 76mm Link Pipe, Double Deck

Comments: Main Tank with Filler, Located Nearside Centre, Three Tank System

OIL TANKS

- ADL / Dennis - MAN

TEL: +44 (0) 121 700 5600 - FAX: +44 (0) 121 700 5601 - E-MAIL: sales@graysonts.com - WEB: www.graysonts.com



Drawing No. 4001
Part No. HT-1013-000

OE References:
421045

Description: Dart SLF Hydraulic Tank

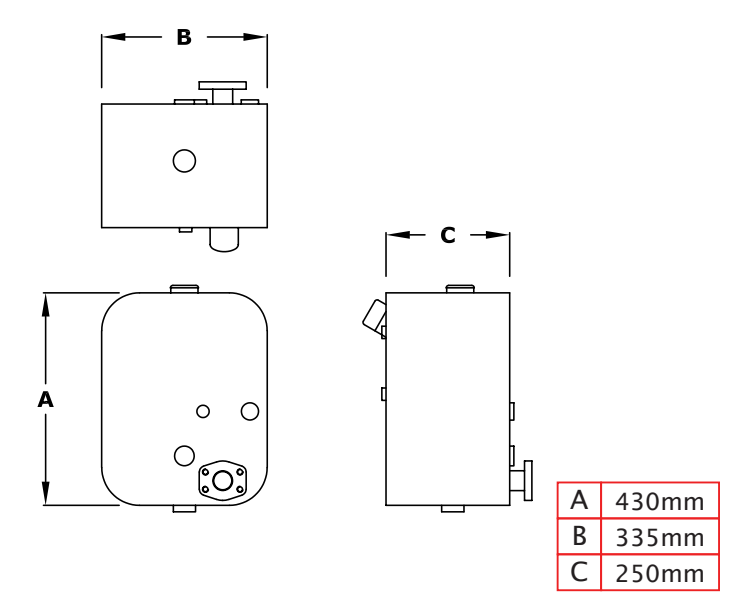
Comments:

Drawing No. 4002
Part No. HT3VL100

OE References:
3035491

Description: B10B / B10L / B10M

Comments: Engine Oil Tank

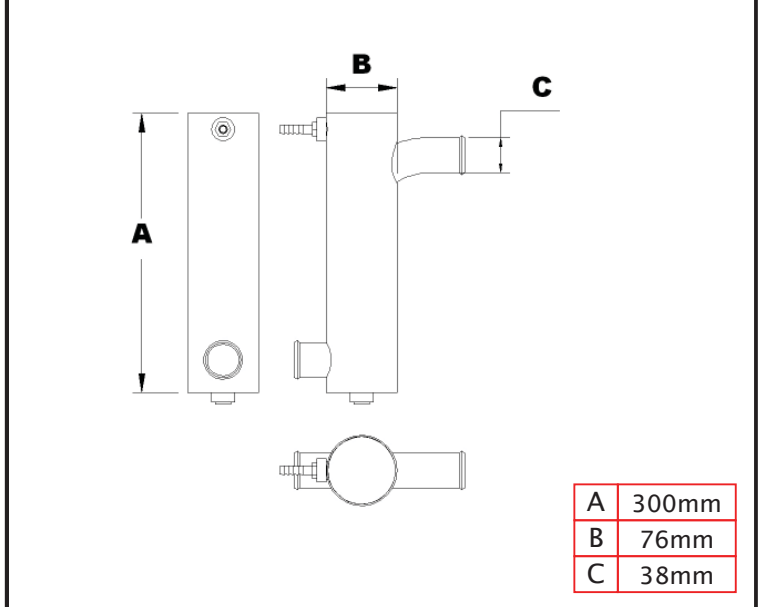


Drawing No. 4003
Part No. HT3VL005/10

OE References:
3036180

Description: B10B / B10L / B10M

Comments: Hydraulic Oil Tank



Drawing No. 4004
Part No. HT-2015-000

OE References:
8106.302.5844

Description: MAN Water Purge Tank

Comments: Hydraulic Oil Tank

OIL TANKS
- Volvo

TEL: +44 (0) 121 700 5600 - FAX: +44 (0) 121 700 5601 - E-MAIL: sales@graysonts.com - WEB: www.graysonts.com

Drawing Currently Unavailable

Drawing No. 4005

OE References:
9518570

Part No. HT-1007-000

Description: Hydraulic Oil Tank

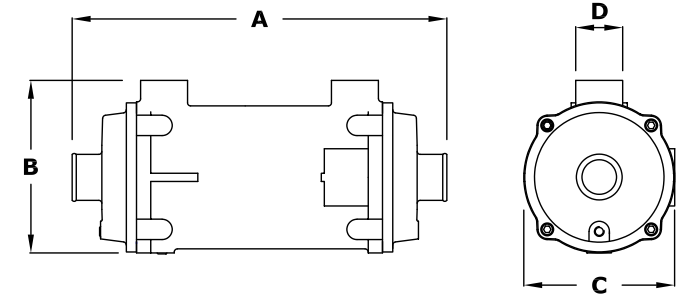
Comments: Volvo

OIL COOLERS

- DAF / VDL - Dennis / ADL

TEL: +44 (0) 121 700 5600 - FAX: +44 (0) 121 700 5601 - E-MAIL: sales@graysonts.com - WEB: www.graysonts.com

Currently Unavailable
Clean & Test Only



A	395mm
B	169mm
C	148mm
D	1" BSP

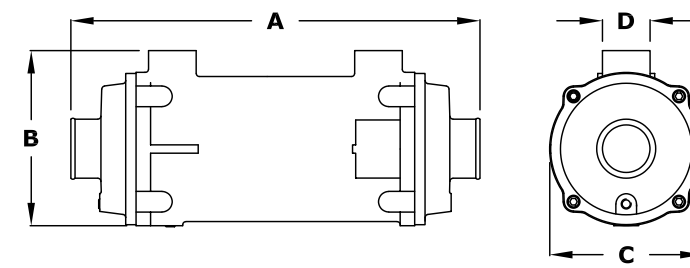
Drawing No. 5001

OE References:
1188134

Part No. OC-1071-000

Description: SB220 GS, 1996 - 2004

Comments: Hydraulic Oil Cooler



A	395mm
B	169mm
C	148mm
D	46mm

Drawing No. 5003

OE References: 248350,
660106

Part No. OT3DN001/1

Description: Dart (Euro 2 / 3) 1996 - 2005

Comments: Allison Transmission Oil Cooler

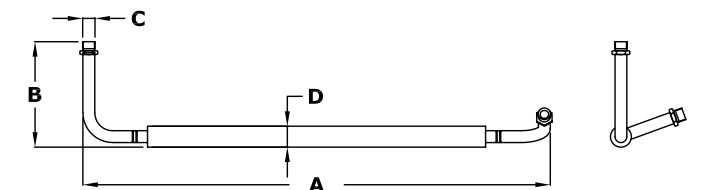
Drawing No. 5002

OE References:

Part No. OT3AA100

Description: SB120 / 200, 1996 - 2006

Comments: Allison Transmission Oil Cooler, 57mm Outlets



A	1002mm
B	226mm
C	26mm
D	45mm

Drawing No. 5004

OE References: 420024

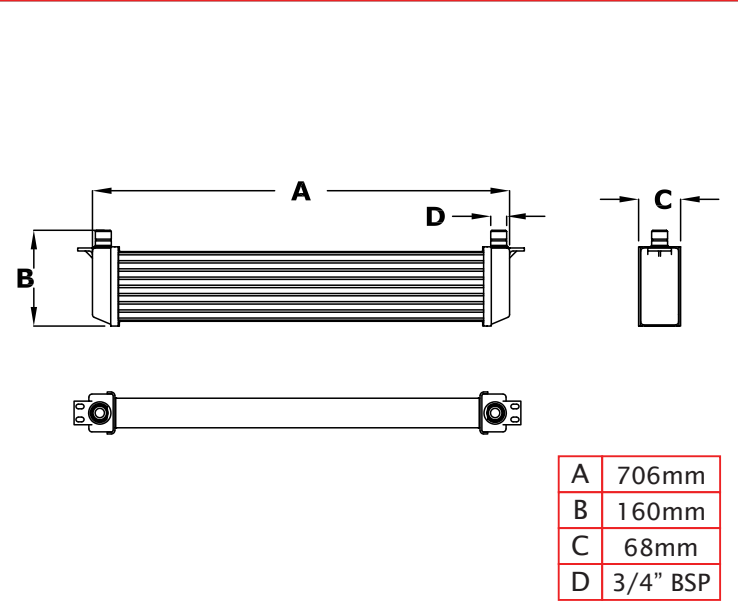
Part No. OC-1004-000

Description: Dart SLF Euro 2, 1996 - 2000

Comments: Hydraulic Oil Cooler

OIL COOLERS
- ADL / Dennis

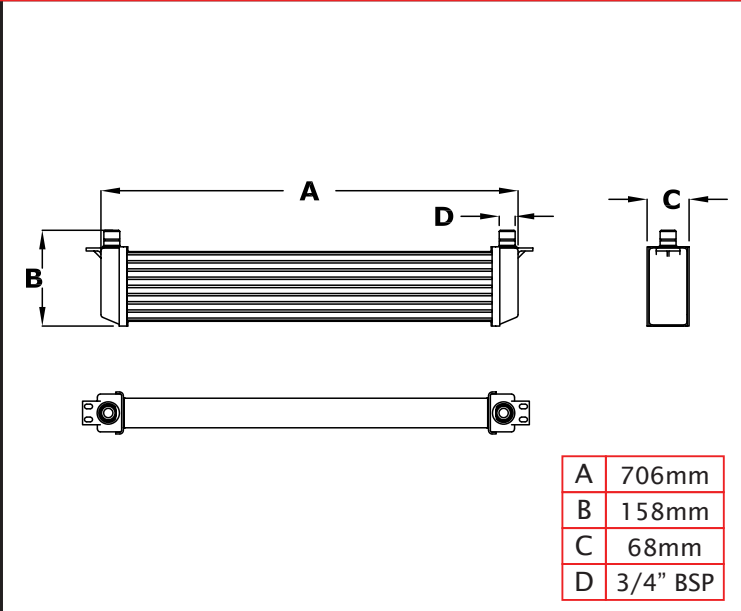
TEL: +44 (0) 121 700 5600 - FAX: +44 (0) 121 700 5601 - E-MAIL: sales@graysonts.com - WEB: www.graysonts.com



Drawing No. 5005
Part No. OH3AA021

Description: E500 Euro 3 / 4 2001 >, E500 Euro EPA 02 / 04 2001 > 2007

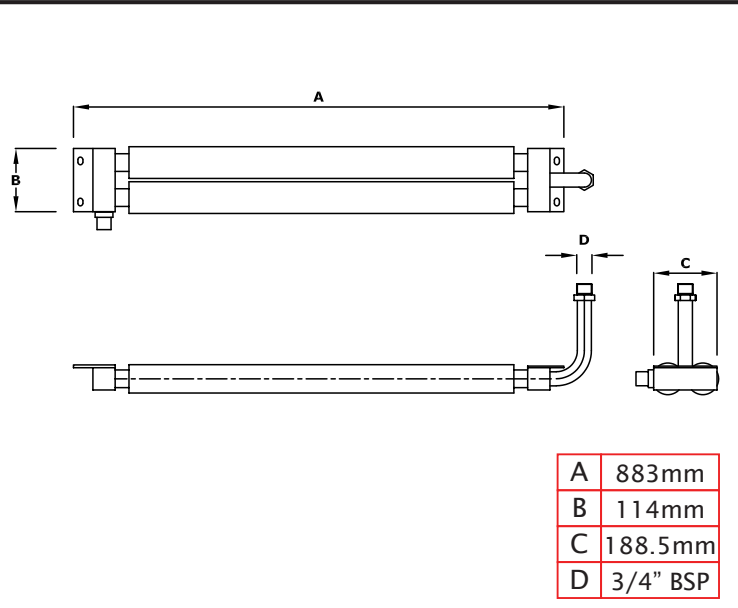
Comments: Hydraulic Oil Cooler



Drawing No. 5006
Part No. OH3AA022

Description: Dart Euro 3 (8 Row)

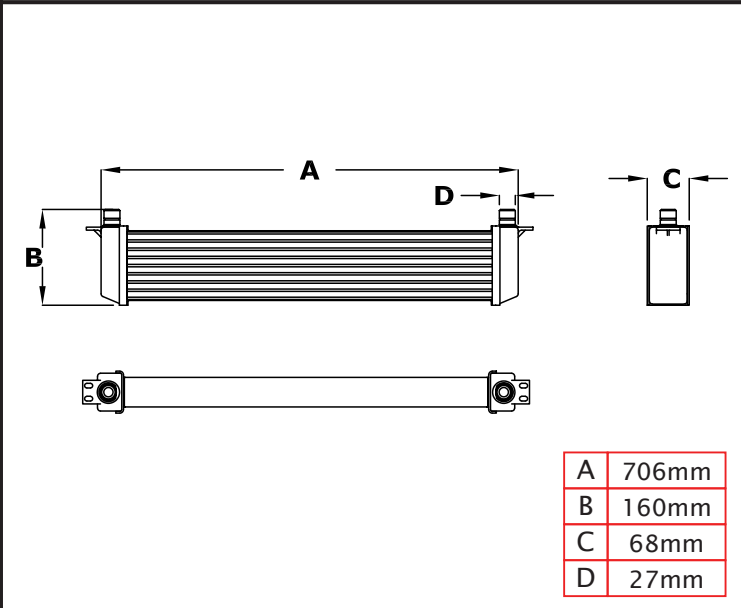
Comments: Hydraulic Oil Cooler (Off Set Brackets)



Drawing No. 5007
Part No. OC-1055-000 / OH3DN501

Description: Trident Euro 2, 1996 > 2001

Comments: Hydraulic Oil Cooler



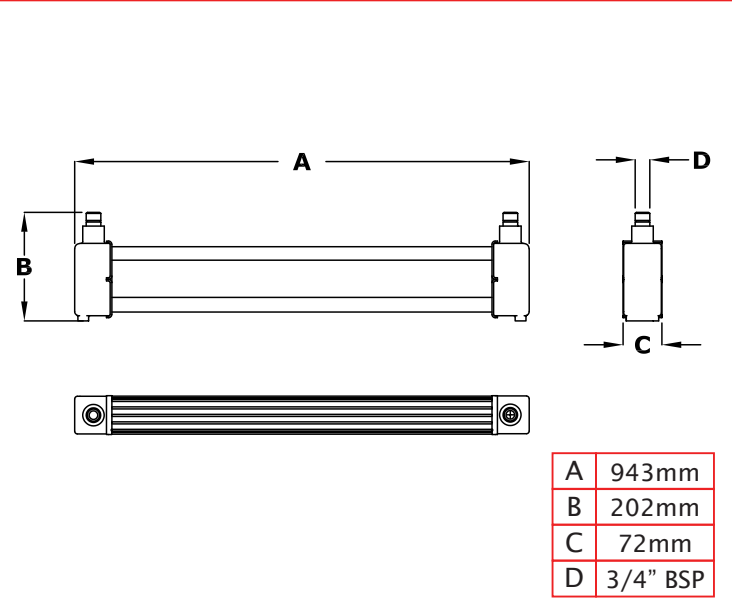
Drawing No. 5008
Part No. RK3DN500

Description: Trident, Euro 3, 2001 - 2005

Comments: Hydraulic Oil Cooler, Supplied with Side Plate

OIL COOLERS
- ADL / Dennis

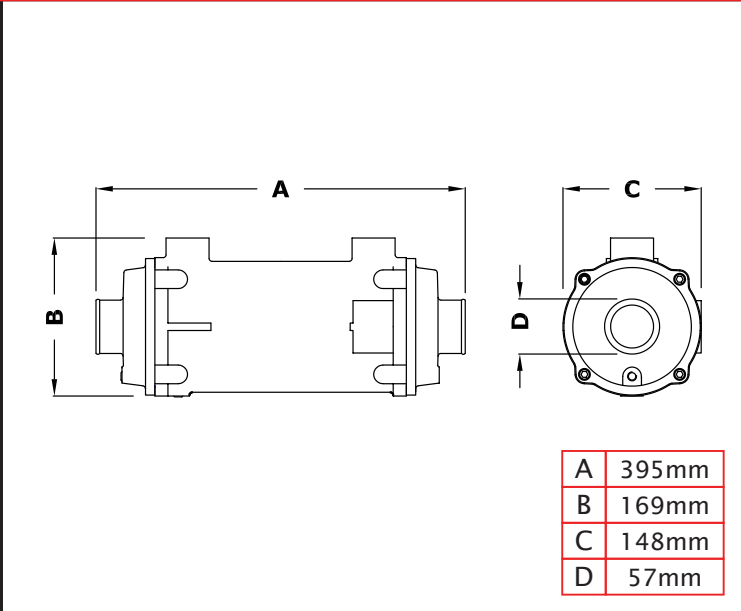
TEL: +44 (0) 121 700 5600 - FAX: +44 (0) 121 700 5601 - E-MAIL: sales@graysonts.com - WEB: www.graysonts.com



Drawing No. 5009
Part No. OC-1001-000

Description: E200 4 Cyl / 6 Cyl 2006 >, E300 2007 >, E400 2009 >

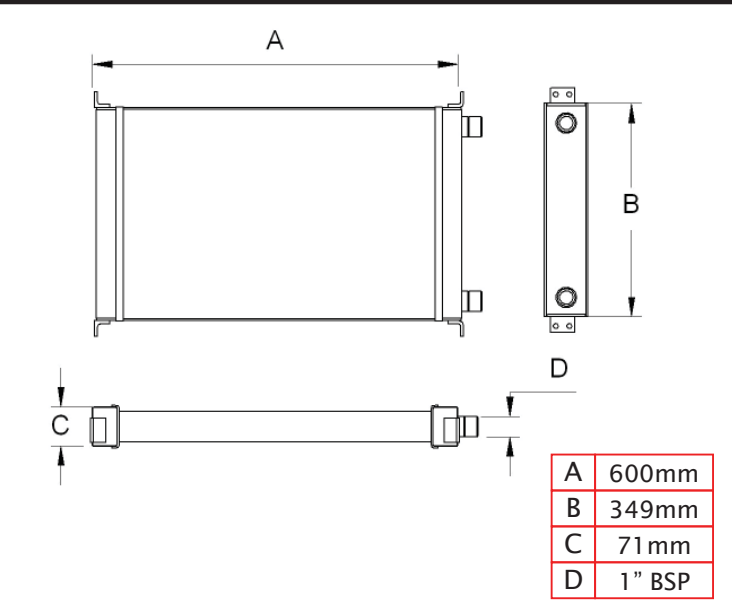
Comments: Hydraulic Oil Cooler



Drawing No. 5010
Part No. OT2DN001

Description: E200 4 / 6 Cyl, 2006 >

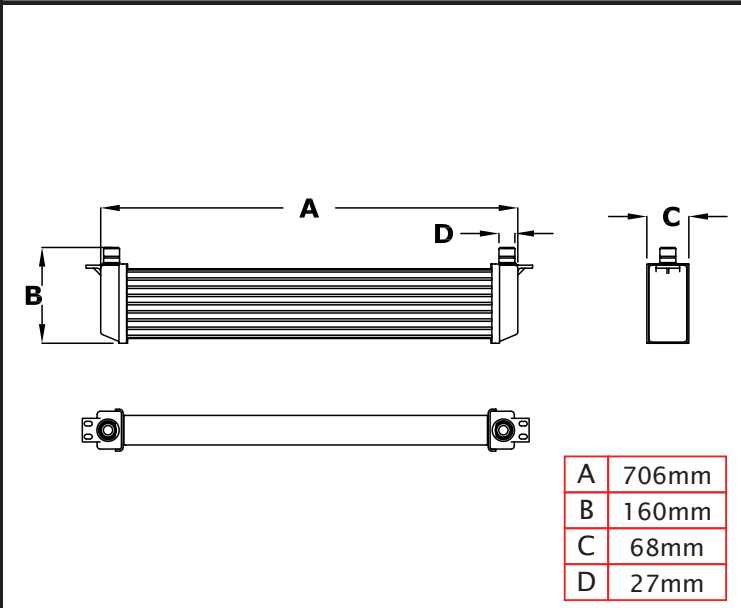
Comments: Transmission Oil Cooler



Drawing No. 5011
Part No. OC-2249-000

Description: E500 EPA07 Medium Duty

Comments: Hydraulic Oil Cooler



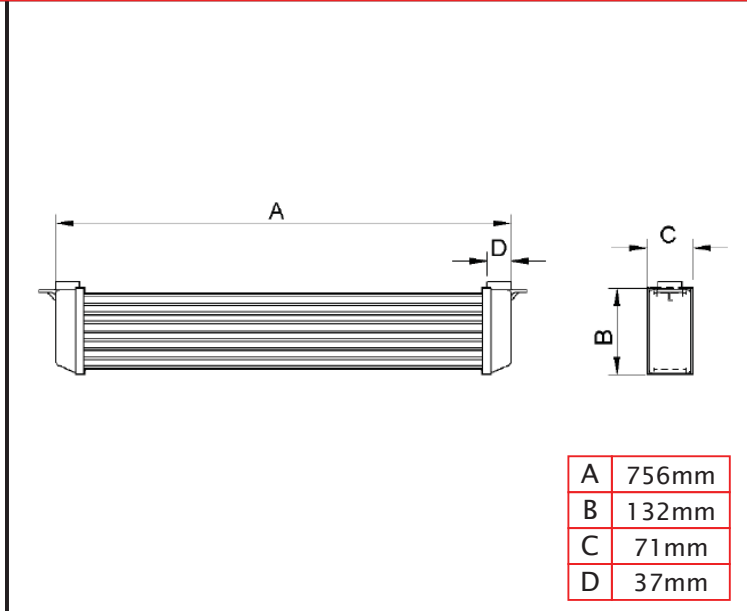
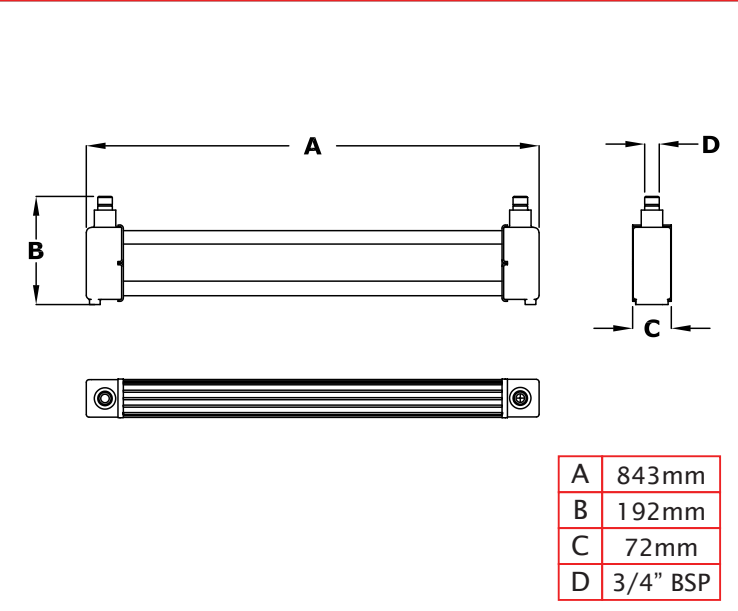
Drawing No. 5012
Part No. OH3AA021

Description: E300 Euro 3 - Euro 4, 2001 >

Comments: Hydraulic Oil Cooler

OIL COOLERS
- ADL / Dennis

TEL: +44 (0) 121 700 5600 - FAX: +44 (0) 121 700 5601 - E-MAIL: sales@graysonts.com - WEB: www.graysonts.com



Drawing No. 5013
Part No. OC-1001-000

OE References:

Description: E300 Late Euro 4, 2001 >

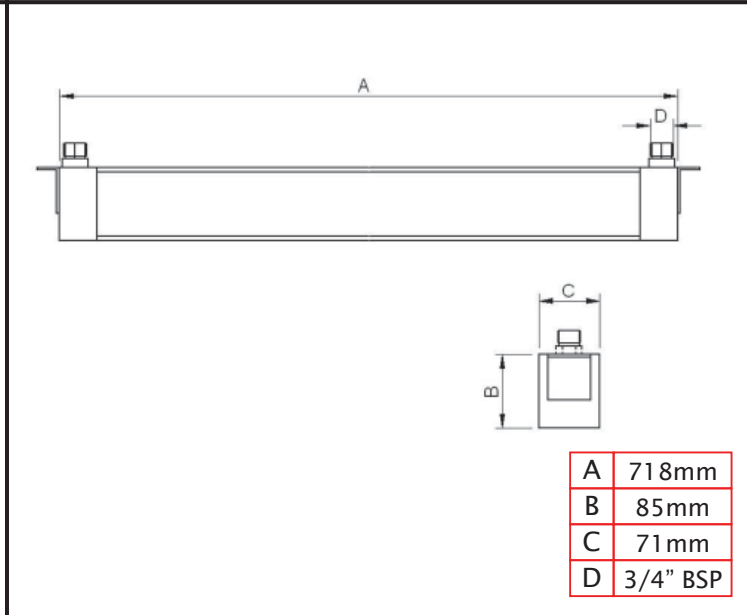
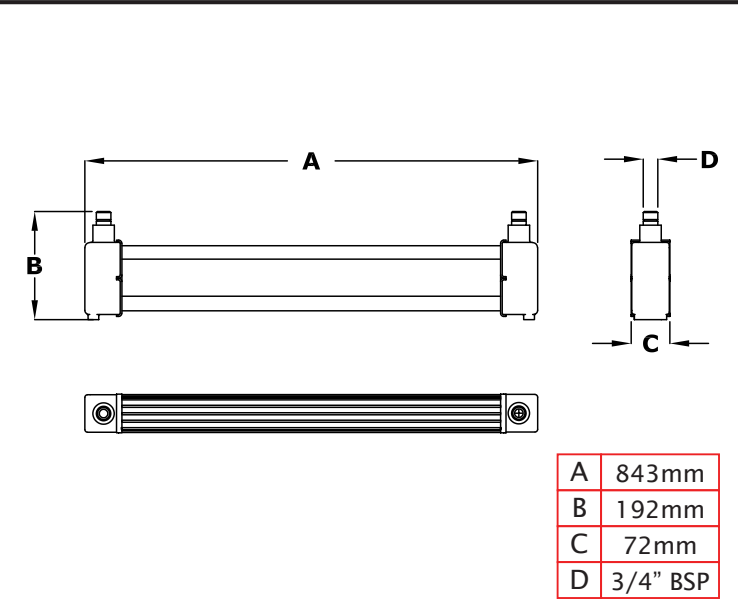
Comments: Hydraulic Oil Cooler

Drawing No. 5014
Part No. OH3AA027

OE References:
440690-1

Description: E400 Nearside, 2006 > August 2009

Comments: Hydraulic Oil Cooler



Drawing No. 5015
Part No. OC-1001-000

OE References:

Description: E400 Offside 2009

Comments: Hydraulic Oil Cooler

Drawing No. 5016
Part No. OC-2126-000

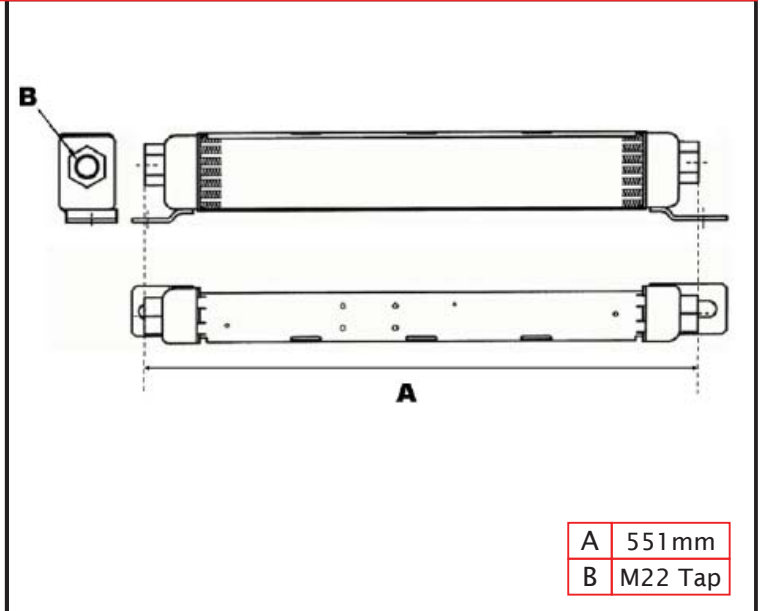
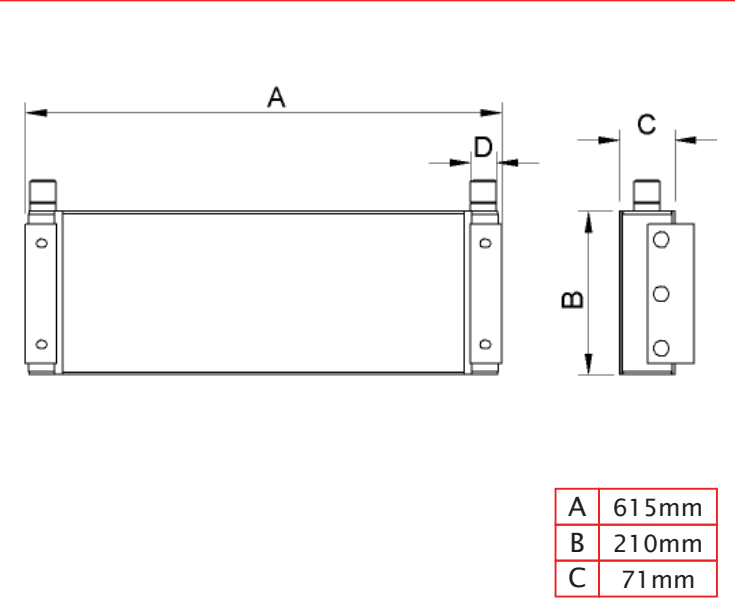
OE References:

Description: R Series Coach, 1997 >

Comments: Hydraulic Oil Cooler

OIL COOLERS
- ADL / Dennis - Optare

TEL: +44 (0) 121 700 5600 - FAX: +44 (0) 121 700 5601 - E-MAIL: sales@graysonts.com - WEB: www.graysonts.com



Drawing No. 5017
Part No. OC-1047-000

OE References:

Description: Javelin Euro 3 - Euro 4, 2001

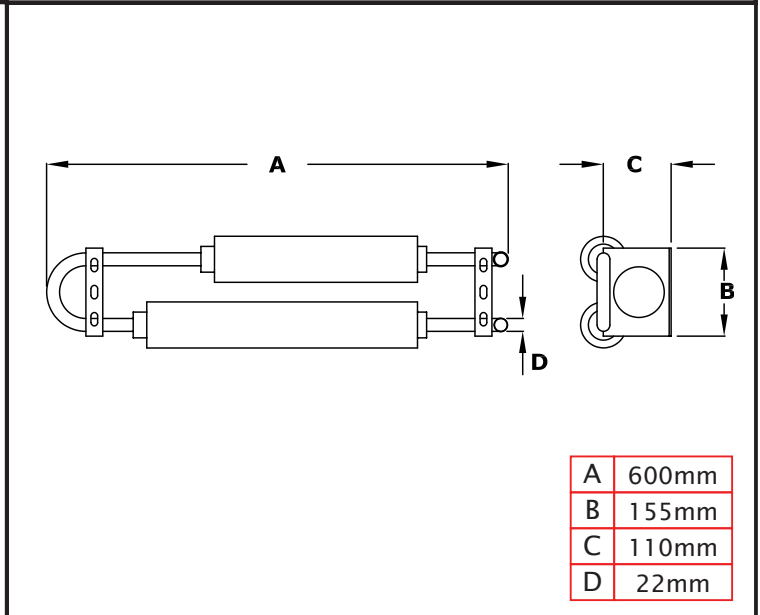
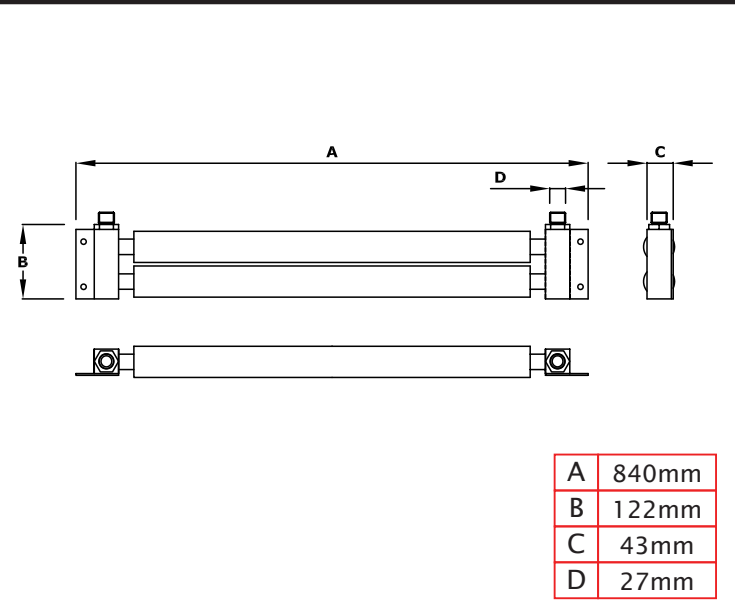
Comments: Hydraulic Oil Cooler

Drawing No. 5018
Part No. OC-1060-00

OE References:
8132.5606.070

Description: Excel Cummins Engine Euro 2

Comments: Hydraulic Oil Cooler



Drawing No. 5019
Part No. OH3OP020

OE References:

Description: Excel Mercedes Engine Euro 3

Comments: Hydraulic Oil Cooler

Drawing No. 5020
Part No. OC-1006-000

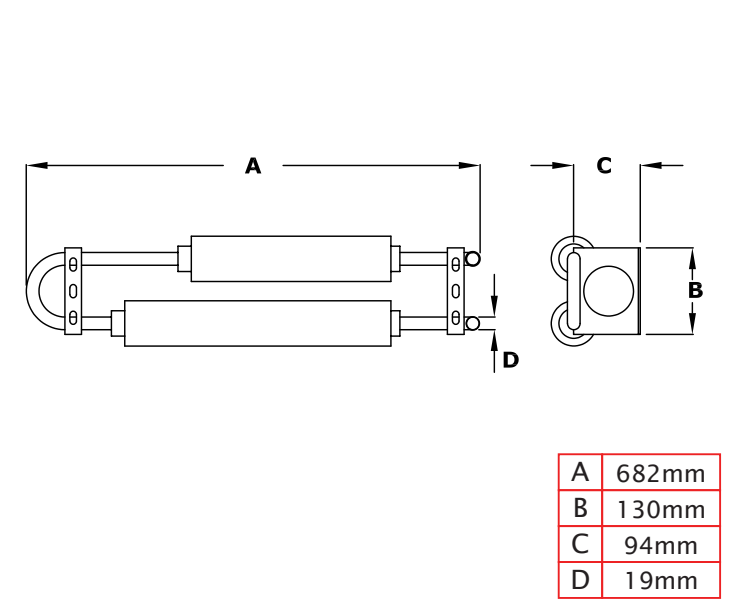
OE References:
R3400046

Description: Solo Euro 2 / 3 Mercedes Engine

Comments: Hydraulic Oil Cooler

OIL COOLERS
- Optare

TEL: +44 (0) 121 700 5600 - FAX: +44 (0) 121 700 5601 - E-MAIL: sales@graysonts.com - WEB: www.graysonts.com

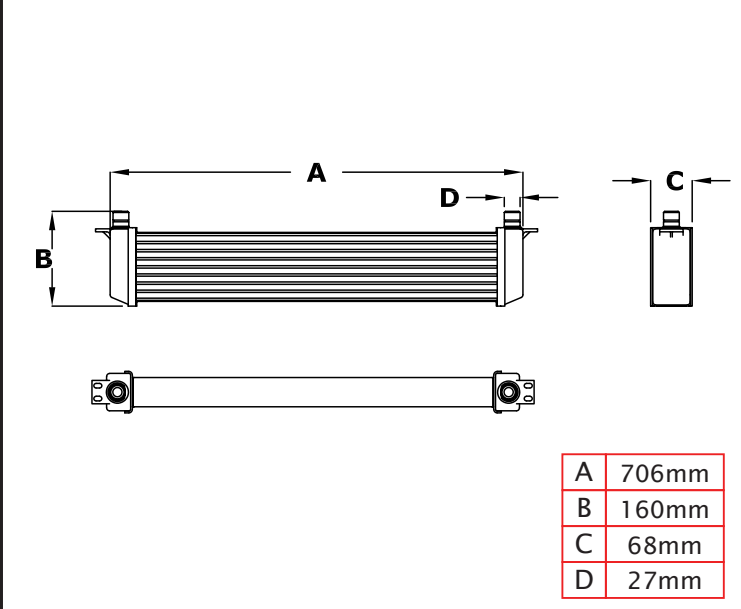


Drawing No. 5021
Part No. OC-1006-000

OE References:
R3400046

Description: Solo Euro 4 SE, Mercedes Engine, 2006 >

Comments: Hydraulic Oil Cooler

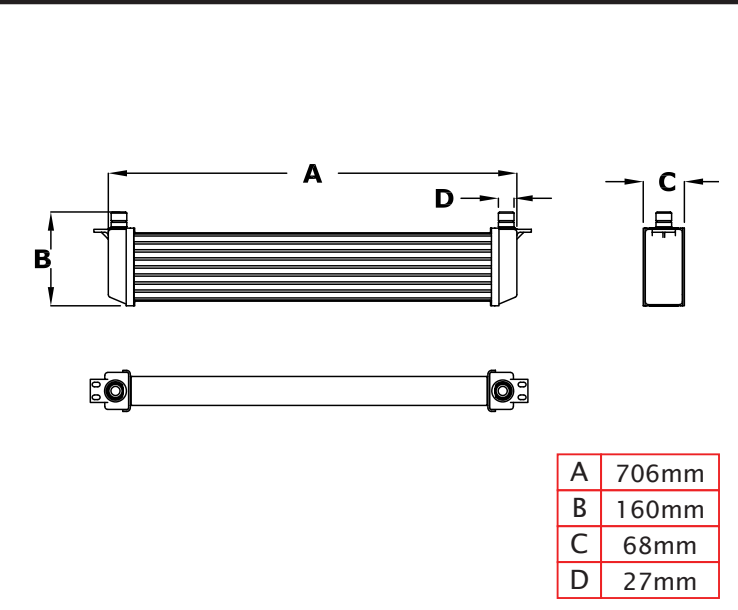


Drawing No. 5022
Part No. OH3AA021

OE References:

Description: Solo Euro 3 / 4, Cummins Engine, 2001 - 2009

Comments: Hydraulic Oil Cooler

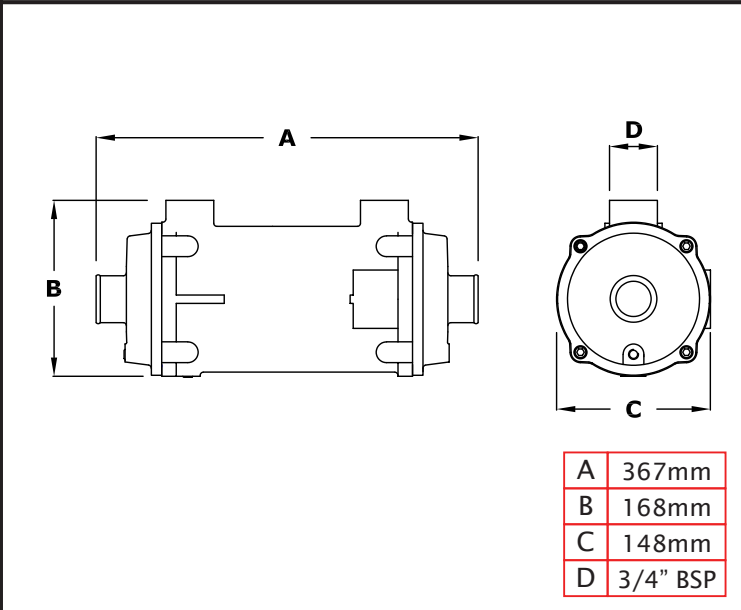


Drawing No. 5023
Part No. OH3AA021

OE References:

Description: Solo Euro 4, MAN Engine, 2006 >

Comments: Hydraulic Oil Cooler



Drawing No. 5024
Part No. OT3AA110

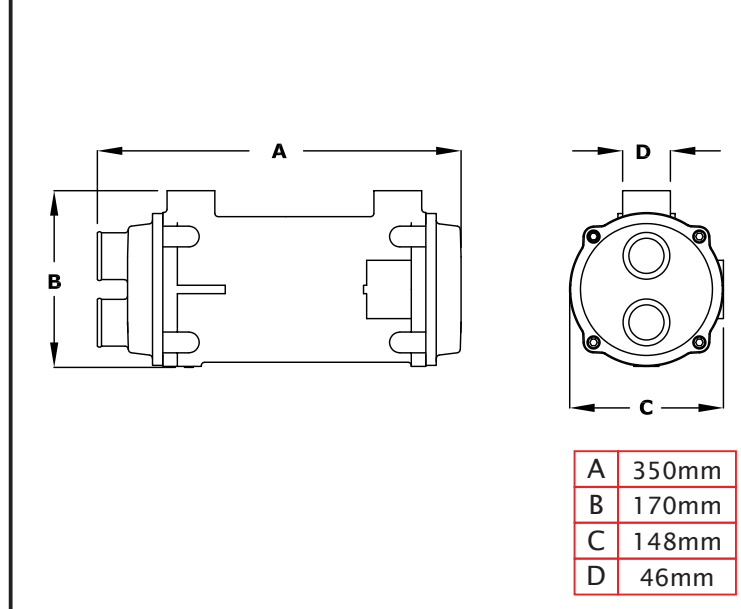
OE References:
R34000141

Description: Solo Euro 3, Mercedes Engine, 2001 > 2005

Comments: Transmission Cooler, 45mm Outlets

OIL COOLERS
- Optare

TEL: +44 (0) 121 700 5600 - FAX: +44 (0) 121 700 5601 - E-MAIL: sales@graysonts.com - WEB: www.graysonts.com

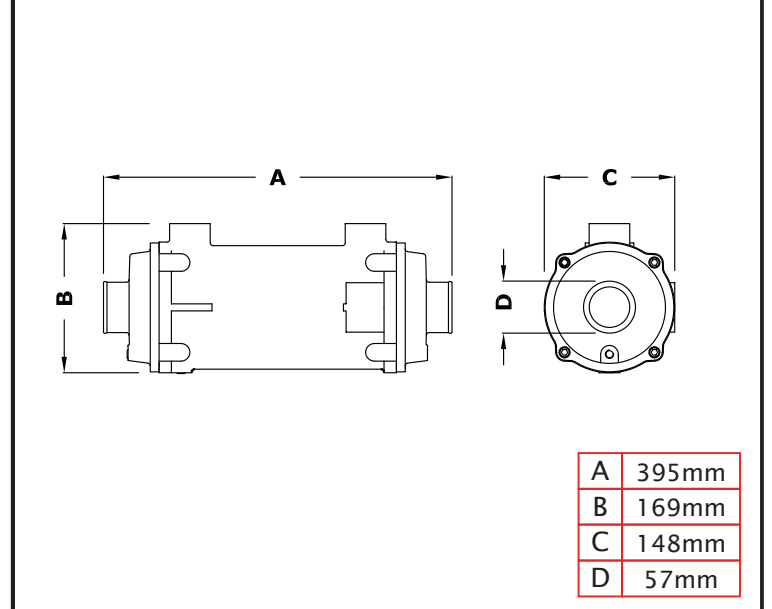


Drawing No. 5025
Part No. OT3AA210

OE References:

Description: Solo Euro 3, Cummins Engine, 2001 > 2005

Comments: Transmission Cooler

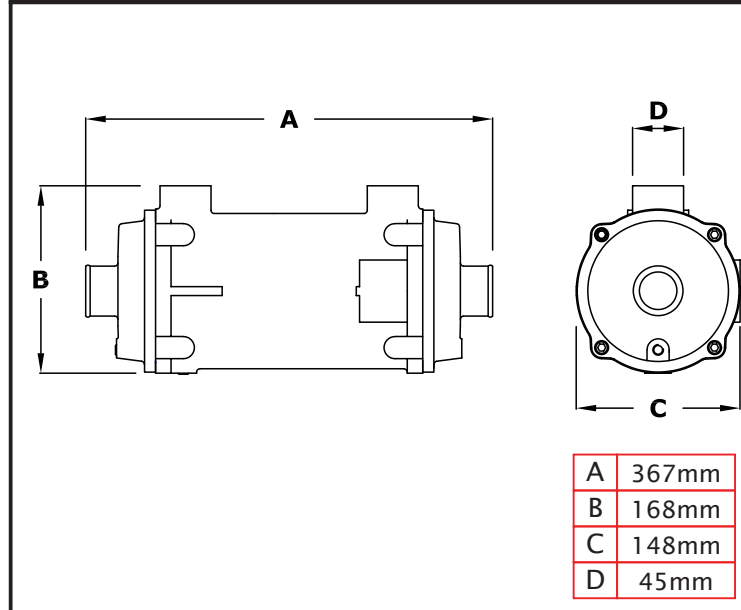


Drawing No. 5026
Part No. OT2DN001

OE References:

Description: Solo E4, Cummins Engine, 2006 >

Comments: Transmission Cooler

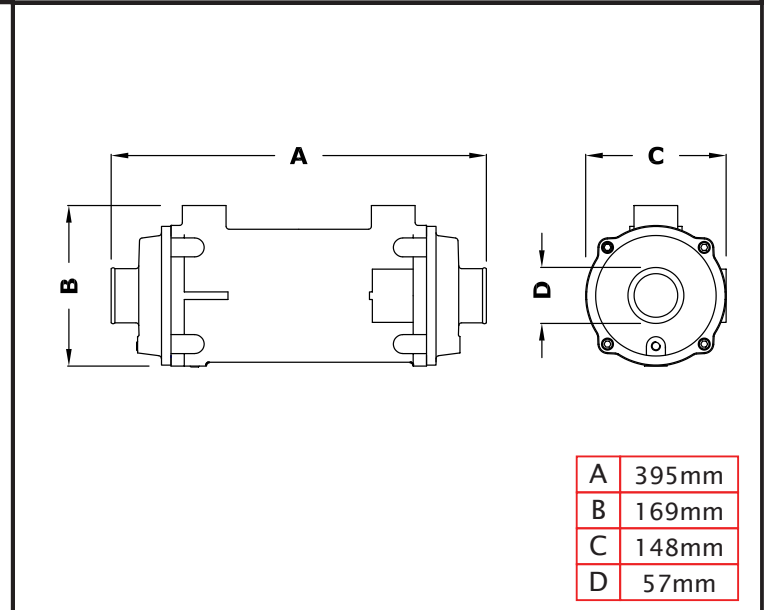


Drawing No. 5027
Part No. OT3AA110

OE References:

Description: Solo E4 Mercedes Engine, 2006 >

Comments: Transmission Cooler



Drawing No. 5028
Part No. OT2DN001

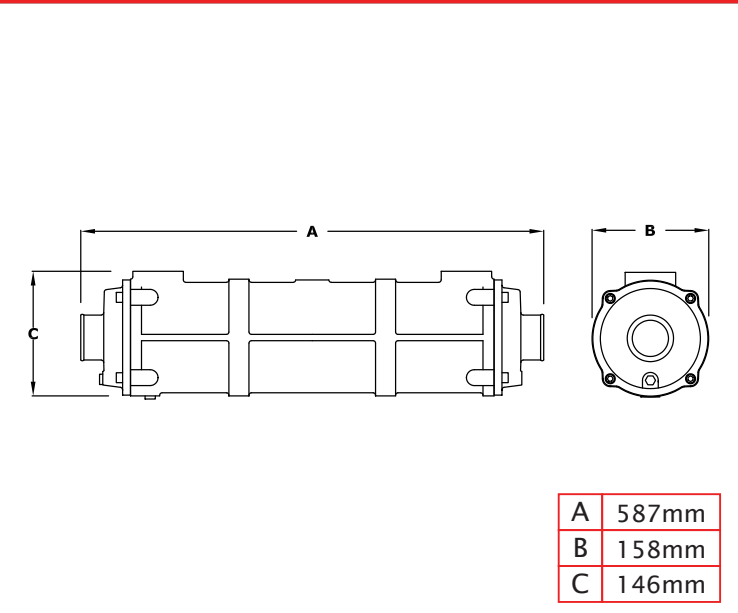
OE References:

Description: Solo Euro 4, MAN Engine, 2006 > 2008

Comments: Transmission Cooler

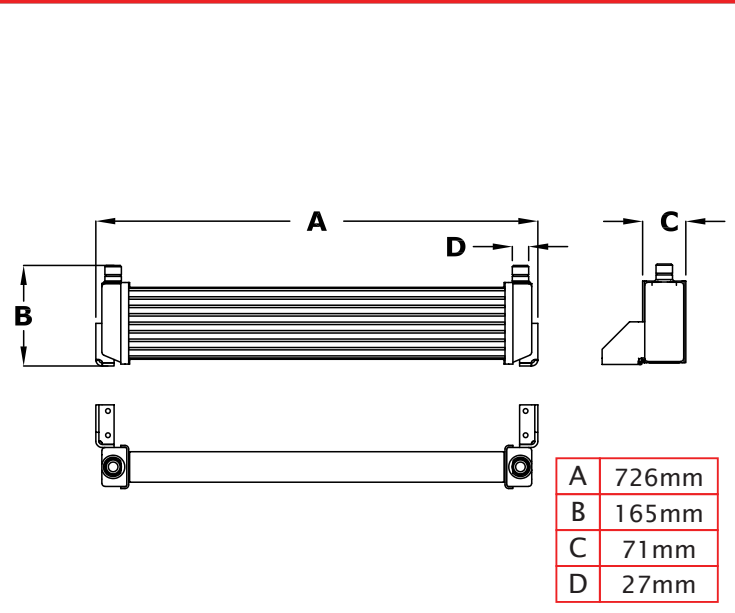
OIL COOLERS
- Optare

TEL: +44 (0) 121 700 5600 - FAX: +44 (0) 121 700 5601 - E-MAIL: sales@graysonts.com - WEB: www.graysonts.com



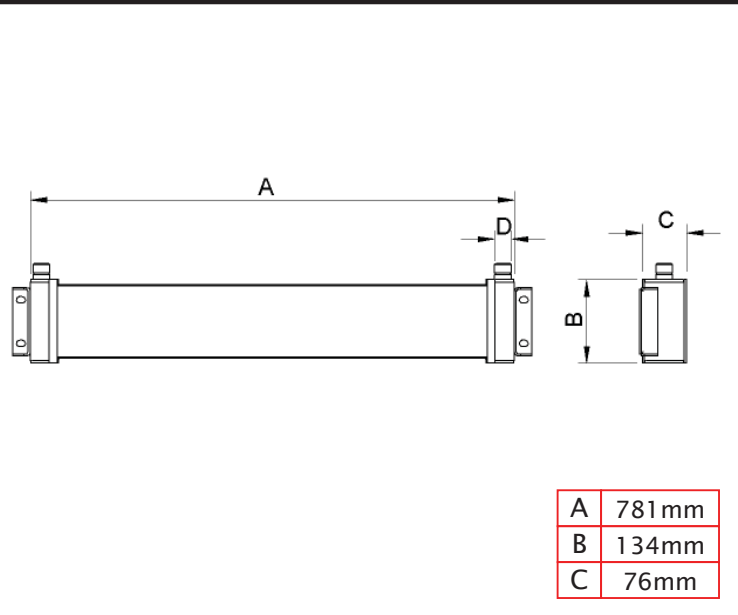
Drawing No. 5029
Part No. **OT3AA401**

OE References:
32130004
Description: Solo E4 MAN Engine, 2008 >
Comments: Transmission Cooler, Outlet 59mm O/D



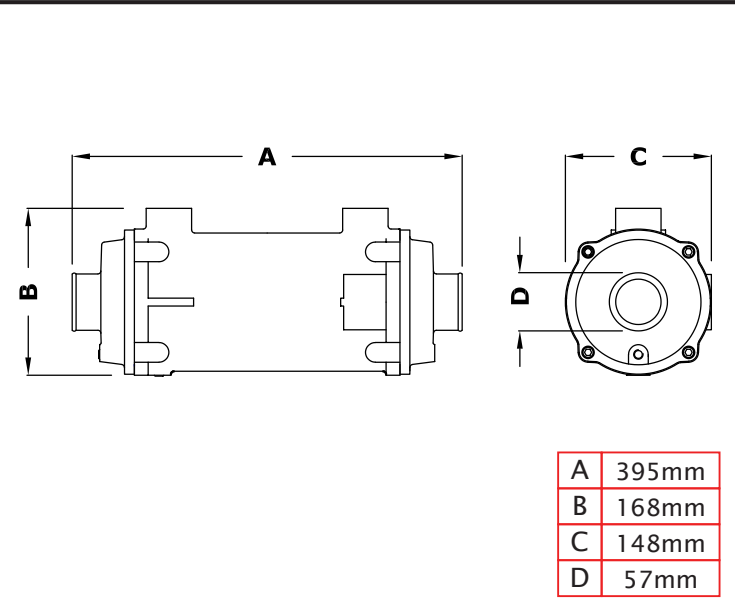
Drawing No. 5030
Part No. **OH3AA020**

OE References:
Description: Tempo Euro 3, 2001 > 2005
Comments: Hydraulic Oil Cooler



Drawing No. 5031
Part No. **OC-1008-000**

OE References:
Description: Tempo Euro 4, 2006
Comments: Hydraulic Oil Cooler

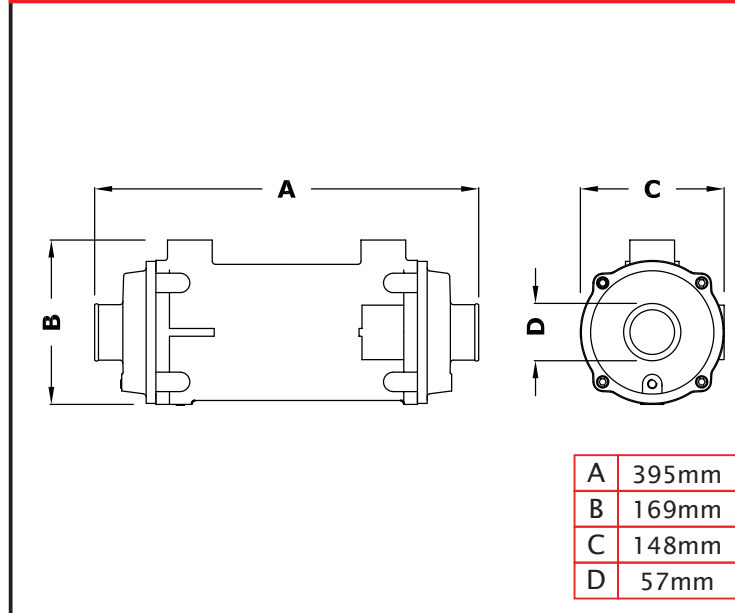


Drawing No. 5032
Part No. **OT2DN001**

OE References:
Description: Versa Euro 4, Cummins Engine, 2007 >
Comments: Transmission Cooler

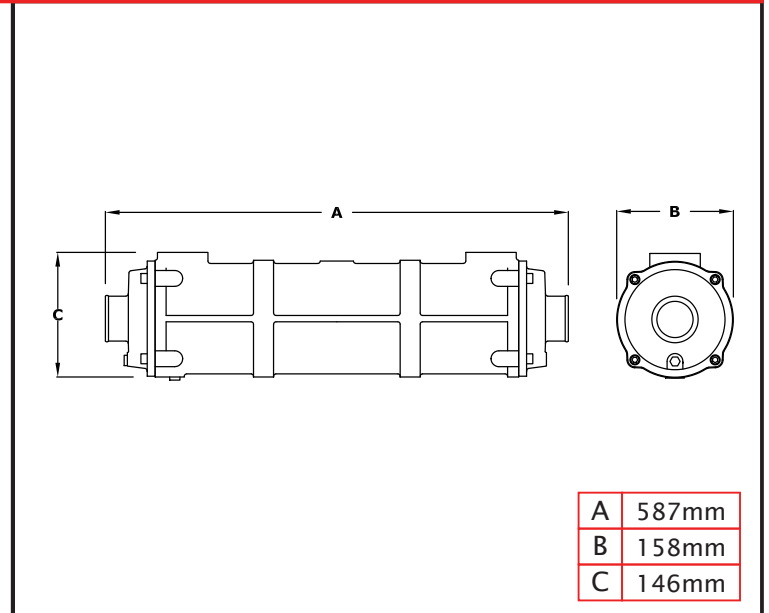
OIL COOLERS
- Optare

TEL: +44 (0) 121 700 5600 - FAX: +44 (0) 121 700 5601 - E-MAIL: sales@graysonts.com - WEB: www.graysonts.com



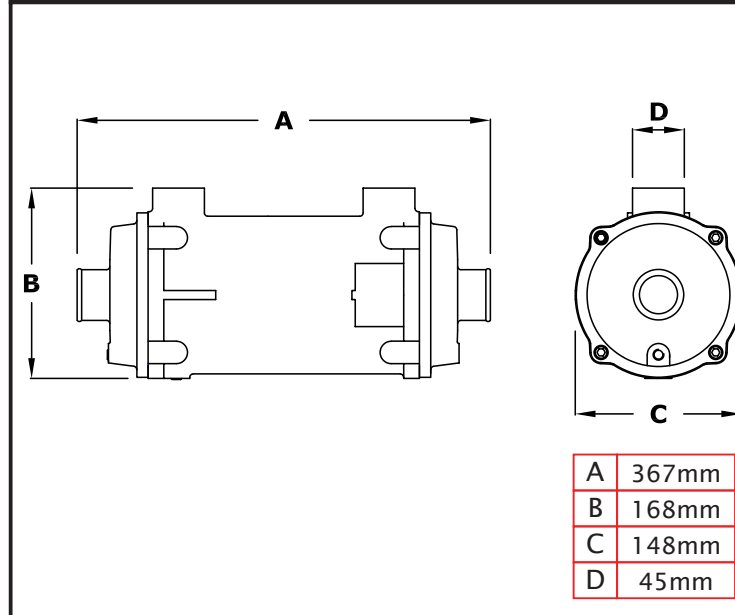
Drawing No. 5033
Part No. **OT2DN001**

OE References:
Description: Versa Euro 4, MAN Engine, 2006 - 2008
Comments: Transmission Cooler



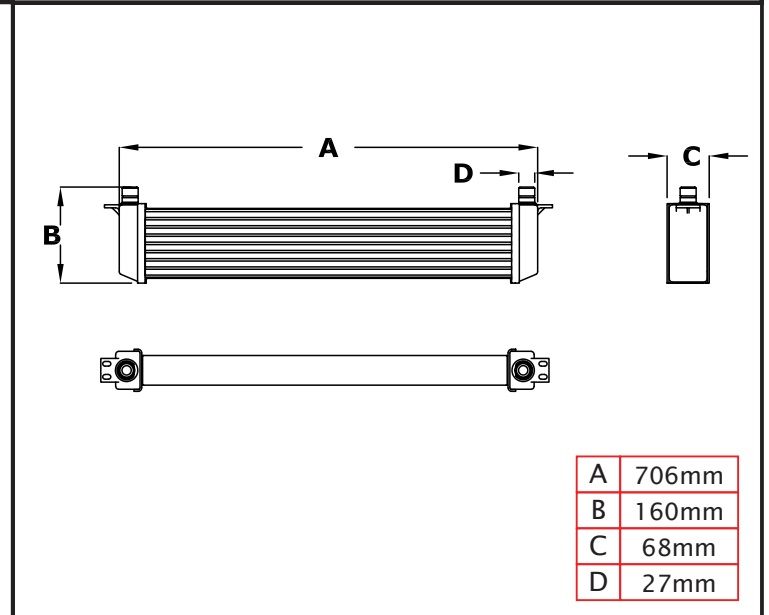
Drawing No. 5034
Part No. **OT3AA401**

OE References:
32130004
Description: Versa Euro 4, MAN Engine, 2008 >
Comments: Transmission Cooler, Outlet: 59mm O/D



Drawing No. 5035
Part No. **OT3AA110**

OE References:
Description: Versa Euro 4, Mercedesw Engine, 2008 >
Comments: Allison Transmission Cooler



Drawing No. 5036
Part No. **OH3AA021**

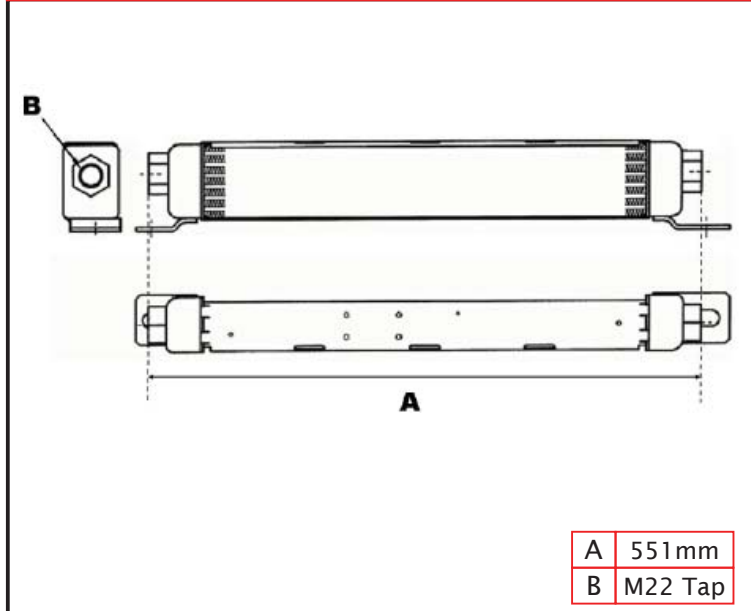
OE References:
Description: Versa Euro 4 All Types, 2006 >
Comments: Hydraulic Oil Cooler

OIL COOLERS
- MAN - Mercedes

OIL COOLERS
- Mercedes - Scania

TEL: +44 (0) 121 700 5600 - FAX: +44 (0) 121 700 5601 - E-MAIL: sales@graysonts.com - WEB: www.graysonts.com

TEL: +44 (0) 121 700 5600 - FAX: +44 (0) 121 700 5601 - E-MAIL: sales@graysonts.com - WEB: www.graysonts.com



Drawing Currently Unavailable

Drawing No. 5037	OE References: 8132 560 6070
Part No. OC-1060-000	
Description: 14.220 Euro 3	
Comments: Hydraulic Oil Cooler	

Drawing No. 5038	OE References:
Part No. OC-2129-000	
Description: 18.220 Euro 4	
Comments: Hydraulic Oil Cooler	

Drawing Currently Unavailable

Currently Unavailable
Clean & Test Only

Drawing No. 5039	OE References:
Part No. OT3ME001	
Description: 709 / 711, 34 Row 1/2" BSP Outlets	
Comments: Transmission Cooler	

Drawing No. 5040	OE References: 001-501-7501
Part No. OT3ME002	
Description: 811 / 814 Vario	
Comments: Transmission Cooler	

Currently Unavailable
Clean & Test Only

Currently Unavailable
Clean & Test Only

Drawing No. 5041	OE References:
Part No. OC-2188-000	
Description: 04 05	
Comments: Transmission Cooler	

Drawing No. 5042	OE References:
Part No. OC-2189-000	
Description: Citaro	
Comments: Hydraulic Oil Cooler	

Currently Unavailable
Clean & Test Only

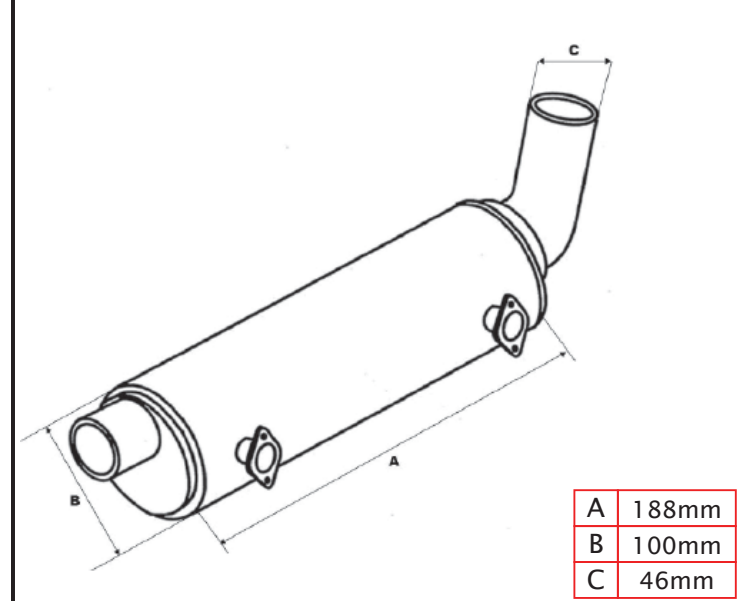
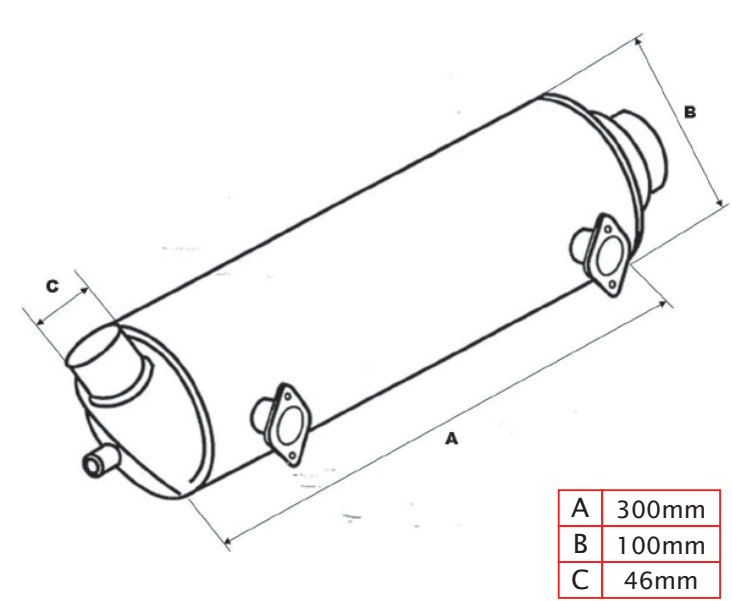
Drawing Currently Unavailable

Drawing No. 5043	OE References: 1430985
Part No. OC-1064-000	
Description: L94 / N94	
Comments: Hydraulic Oil Cooler	

Drawing No. 5044	OE References: 478543
Part No. OA2SC001	
Description: L113	
Comments: Hydraulic Oil Cooler	

OIL COOLERS
- Volvo

TEL: +44 (0) 121 700 5600 - FAX: +44 (0) 121 700 5601 - E-MAIL: sales@graysonts.com - WEB: www.graysonts.com



Drawing No. 5045	OE References: 3979006, 425951, 469698
Part No. OE3VL001/1	

Drawing No. 5046	OE References: 0301043, 469264
Part No. OE3VL002/1	

Description: B10B

Description: B10M Mk1

Comments: Engine Oil Cooler, Oil / Water Tube & Shell

Comments: Engine Oil Cooler, Oil / Water Tube & Shell

Currently Unavailable
Clean & Test Only

Currently Unavailable
Clean & Test Only

Drawing No. 5047	OE References:
Part No. OE3VL003/1	

Drawing No. 5048	OE References: 9522850
Part No. OC-1045-000	

Description: D10A Olympian Bus

Description: B7TL

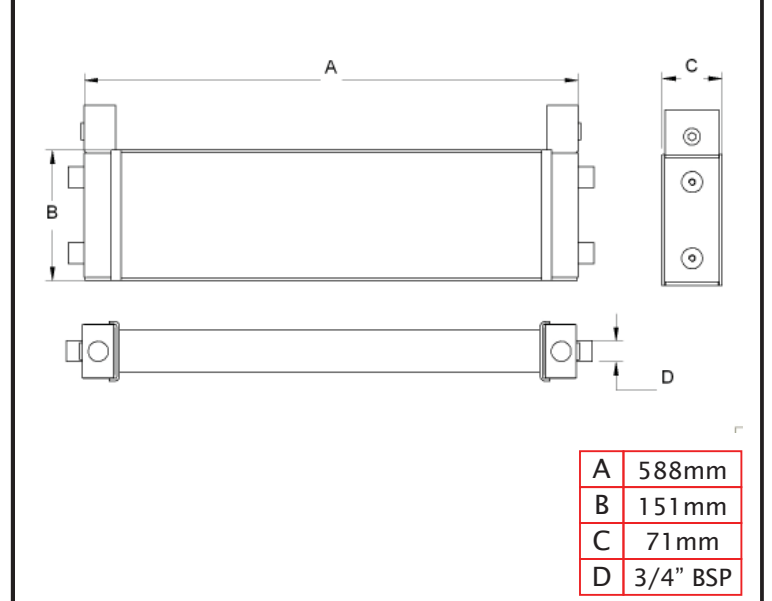
Comments: Engine Oil Cooler, Oil / Water Tube & Shell

Comments: Hydraulic Oil Cooler

OIL COOLERS
- Volvo / Wrightbus

TEL: +44 (0) 121 700 5600 - FAX: +44 (0) 121 700 5601 - E-MAIL: sales@graysonts.com - WEB: www.graysonts.com

Currently Unavailable
Clean & Test Only



Drawing No. 5049	OE References:
Part No. OC-1051-000	

Drawing No. 5050	OE References:
Part No. OC-2292-000	

Description: B7R

Description: Wrightbus

Comments: Engine Oil Cooler

Comments: Oil Cooler